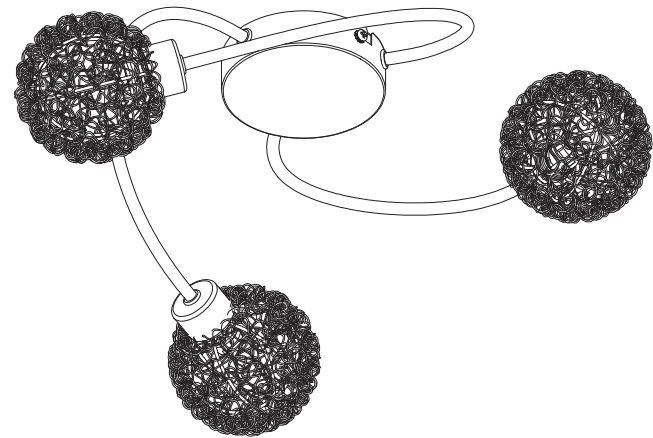
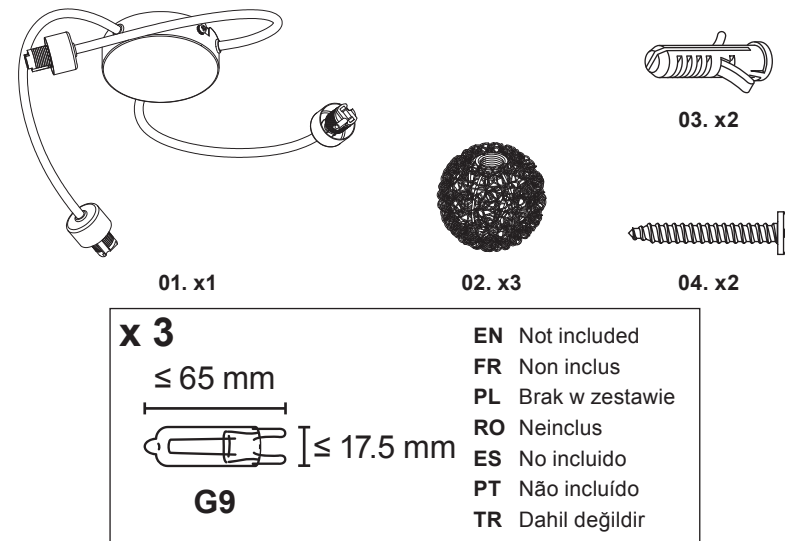


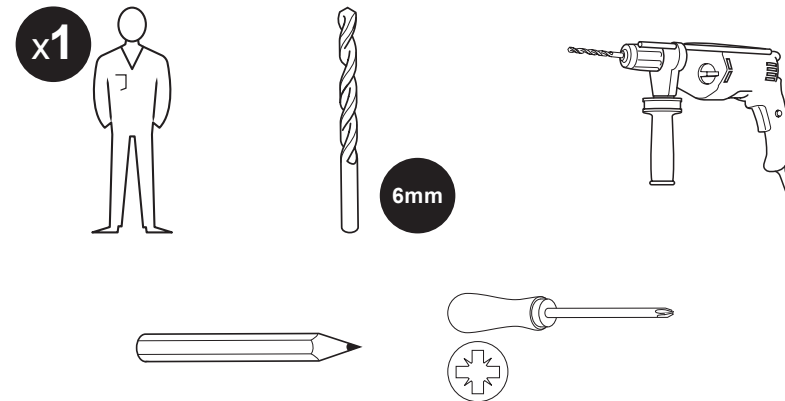
EN Ceiling light
FR Plafonnier
PL Lampa sufitowa
RO Plafonieră
ES Plafón
PT Plafond
TR Tavan lambası



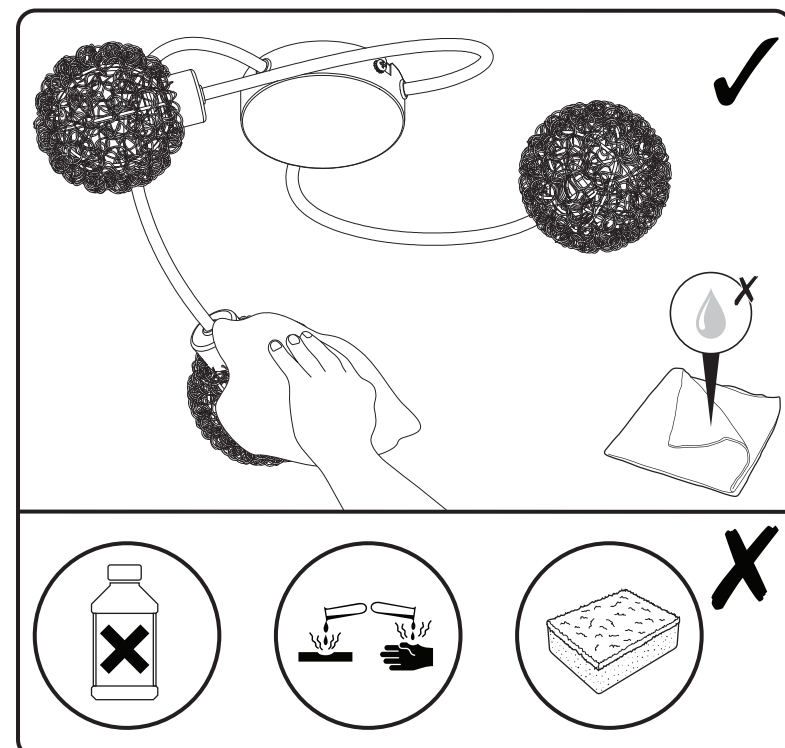
EN Parts FR Pièces PL Części RO Pieșe ES Piezas
PT Peças TR Parçalar



EN You will need FR Vous aurez besoin de PL Będziesz potrzebować RO Vei avea nevoie de ES Necesitará
PT Vai precisar de TR İhtiyaç duyacaklarınız



EN Care & maintenance FR Entretien et maintenance
PL Czyszczenie i konserwacja RO Îngrijire și întreținere
ES Cuidados y mantenimiento PT Cuidados e manutenção TR Bakım ve muhafaza



EN **IMPORTANT** - These instructions are for your safety. Please read through them thoroughly prior to handling the product and retain them for future reference.

FR **IMPORTANT** : ces instructions sont données pour votre sécurité. Merci de les lire attentivement avant de manipuler le produit et de les conserver pour référence.

PL **WAŻNE** — Niniejsza instrukcja została opracowana w celu zapewnienia bezpieczeństwa użytkownikowi. Należy ją dokładnie przeczytać przed obsługą produktu i zachować do wykorzystania w przyszłości.

RO **IMPORTANT** - Aceste instrucțiuni sunt pentru siguranța ta. Citește-le cu atenție înainte de montarea produsului și păstrează-le pentru consultare ulterioară.

ES **IMPORTANTE**: Estas instrucciones son para su propia seguridad. Léelas atentamente antes de manipular el producto y guárdelas para futuras consultas.

PT **IMPORTANTE** - Estas instruções são para sua segurança. Leia-as atentamente antes de manusear o produto e guarde-as para consultas futuras.

TR **ÖNEMLİ** - Bu talimatlar sizin güvenliğiniz içindir. Ürün üzerinde çalışmaya başlamadan önce lütfen bu talimatları dikkatlice okuyun ve ileride başvurmak üzere saklayın.

CL286B-3B
5059340226217
5059340226224

V10522_5059340226217_BX220IM/B3

EN Safety

- These instructions are for your safety. Please read through them thoroughly prior to installation and retain them for future reference.
- All fittings must be installed by a competent person in accordance with local regulations (IET wiring regulation BS7671).
- Check the pack and make sure you have all of the parts listed.
- Remove all packaging, wrap etc from the product.
- Decide on the appropriate location for your product.
- This product is suitable for indoor use only and not for areas constantly subject to moisture such as bathroom.
- Always refer to the installation drawing for the orientation of the product.
- The product must be securely fixed to the mounting surface using the screws and wall plugs supplied. The screws and wall plugs supplied are suitable for "masonry" only. Other fixings not supplied and must be purchased.
- Take care not to drill into any pipes or mains cables beneath the surface during mounting holes preparation.
- **IMPORTANT**: The fixing point(s) selected must be capable of supporting the full weight of the light fitting.
- Wiring diagram is for reference only. Always refer to the terminal marking for wiring. Ensure that all electrical connections are tight and that no loose strands are left out of the terminal block.
- Never put anything on the product or hang anything on any part of this product.
- Never use the terminal cables to bear the product weight.
- When the product does not light after installation:
> Ensure there is no electricity failure
> Ensure all the connections are secured
- If you have any doubt about installation/use of this product, consult a qualified electrician.
- Always disconnect the product from mains at least 10 minutes allowing to cool down before any maintenance or adjustment.
- It is recommended to have a regular schedule of care and maintenance to keep the surface condition well.

Technical Data

Supply voltage:	220-240 V~, 50 Hz
Bulb Type:	3 x Max. 40 W G9 (check bulb dimensions in relation to space available).
	This product complies with conformity requirements of the applicable European Regulations or Directives.
	This product complies with conformity requirements of the applicable UK Regulations.
	Class I product, must be connected to earth.
	For indoor use only.
	Waste electrical products should not be disposed of with household waste. Please recycle where facilities exist. Check with your Local Authority or local store for recycling advice.
xxWyy	xx-year; yy-week of the year
For halogen bulb:	
	Luminaire designed to be used only with self-shielded tungsten halogen lamps.

Guarantee

We take special care to select high quality materials and use manufacturing techniques that allow us to create products incorporating design and durability. This product has a manufacturer's guarantee of 2 years against manufacturing defects, from the date of purchase (if bought in store) or date of delivery (if bought online), at no additional cost for normal (non-professional or commercial) household use.

To make a claim under this guarantee, you must present your proof of purchase (such as a sales receipt, purchase invoice or other evidence admissible under applicable law), please keep your proof of purchase in a safe place. For this guarantee to apply, the product you purchased must be new, it will not apply to second hand or display products. Unless stated otherwise by applicable law, any replacement product issued under

this guarantee will only be guaranteed until expiry of the original period guarantee period.

This guarantee covers product failures and malfunctions provided the product was used for the purpose for which it is intended and subject to installation, cleaning, care and maintenance in accordance with the information contained in these terms and conditions, in the user manual and standard practice, provided that standard practice does not conflict with the user manual.

This guarantee does not cover defects and damage caused by normal wear and tear or damage that could be the result of improper use, faulty installation or assembly, neglect, accident, misuse, or modification of the product. Unless stated otherwise by applicable law, this guarantee will not cover, in any case, ancillary costs (shipping, movement, costs of uninstalling and reinstalling, labour etc), or direct and indirect damage.

If the product is defective, we will replace or refund, within a reasonable time.

Rights under this guarantee are enforceable in the country in which you purchased this product. Guarantee related queries should be addressed to the store you purchased this product from.

The guarantee is in addition to and does not affect your statutory rights.

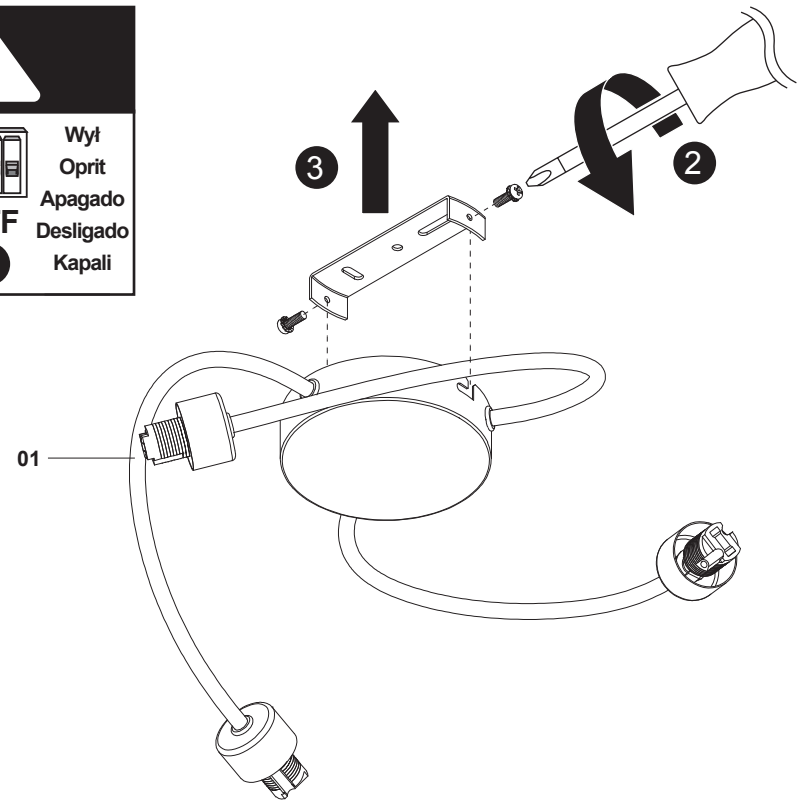
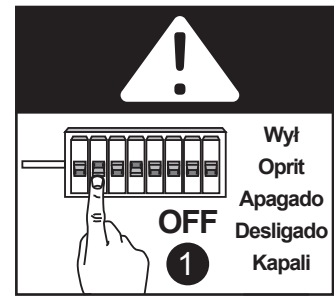
FR Sécurité

- Les consignes suivantes visent à assurer votre sécurité. Veuillez les lire attentivement avant de procéder à l'installation et les conserver pour pouvoir vous y référer ultérieurement.
- Toutes les installations doivent être effectuées par une personne compétente conformément aux réglementations sur les branchements électriques IEE (NF C 15 100).
- Assurez-vous de la présence de toutes les pièces répertoriées.
- Retirez le produit de l'emballage.
- Choisissez l'emplacement approprié pour votre produit.
- Ce produit est exclusivement conçu pour être utilisé à l'intérieur et ne convient pas aux endroits qui présentent une humidité constante telles que dans les salles de bains.
- Reportez-vous systématiquement au schéma d'installation.
- Le produit doit être solidement fixé à la surface de montage à l'aide des vis et chevilles fournies. Les chevilles murales et vis fournies sont à fixer uniquement sur des murs pleins. Pour tout autre type de mur, veuillez vous équiper de vis et chevilles adaptées.
- Lors du perçage, veillez à n'endommager aucun tuyau ou câble électrique.
- **IMPORTANT** : Les points de fixation sélectionnés doivent être capables de supporter le poids total de la lampe.
- Schéma de câblage à titre de référence uniquement. Toujours se référer au domino pour le câblage. Assurez-vous que tous les branchements électriques soient fermes et qu'aucune longueur de fil lâche ne demeure à l'extérieur du branchement.
- Ne placez ni n'accrochez jamais d'objet sur ce produit.
- N'utilisez jamais les câbles d'alimentation pour supporter le poids du produit.
- Si le produit ne s'allume pas après l'installation :
> S'assurer qu'il n'y a pas de panne électrique
> S'assurer que tous les branchements soient faits
- En cas de doutes concernant le montage ou l'utilisation de ce produit, consultez un électricien professionnel.
- Toujours débrancher le produit au secteur au moins 10 minutes avant toute opération de maintenance ou de réglage, afin de s'assurer de son refroidissement.
- Il est recommandé d'effectuer un nettoyage et un entretien réguliers pour conserver un bon état de surface.

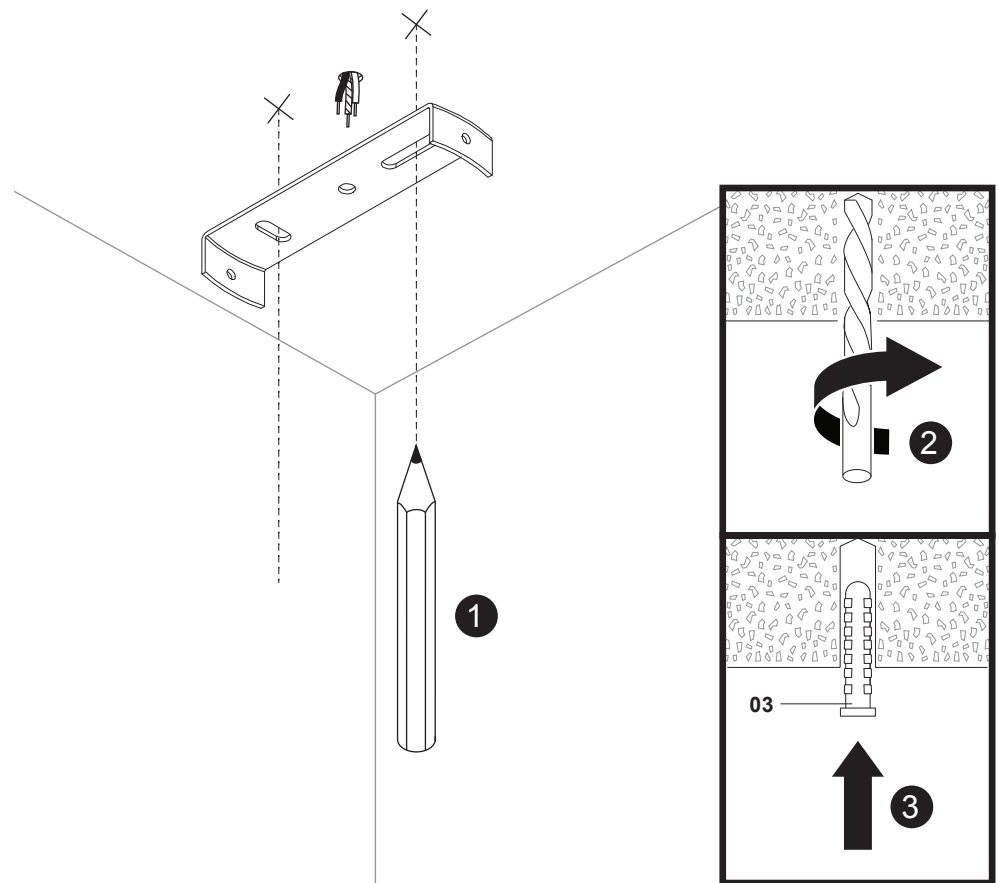
Caractéristiques

Tension d'alimentation :	220-240 V~, 50 Hz
Type d'ampoule :	3 x Max. 40 W G9 (vérifier au préalable les dimensions de l'ampoule par rapport à l'espace disponible).
	Ce produit est conforme aux exigences de conformité des règlements ou directives européennes applicables.
	Produit de classe I, doit être branché à la terre.
	Pour utilisation à l'intérieur uniquement.

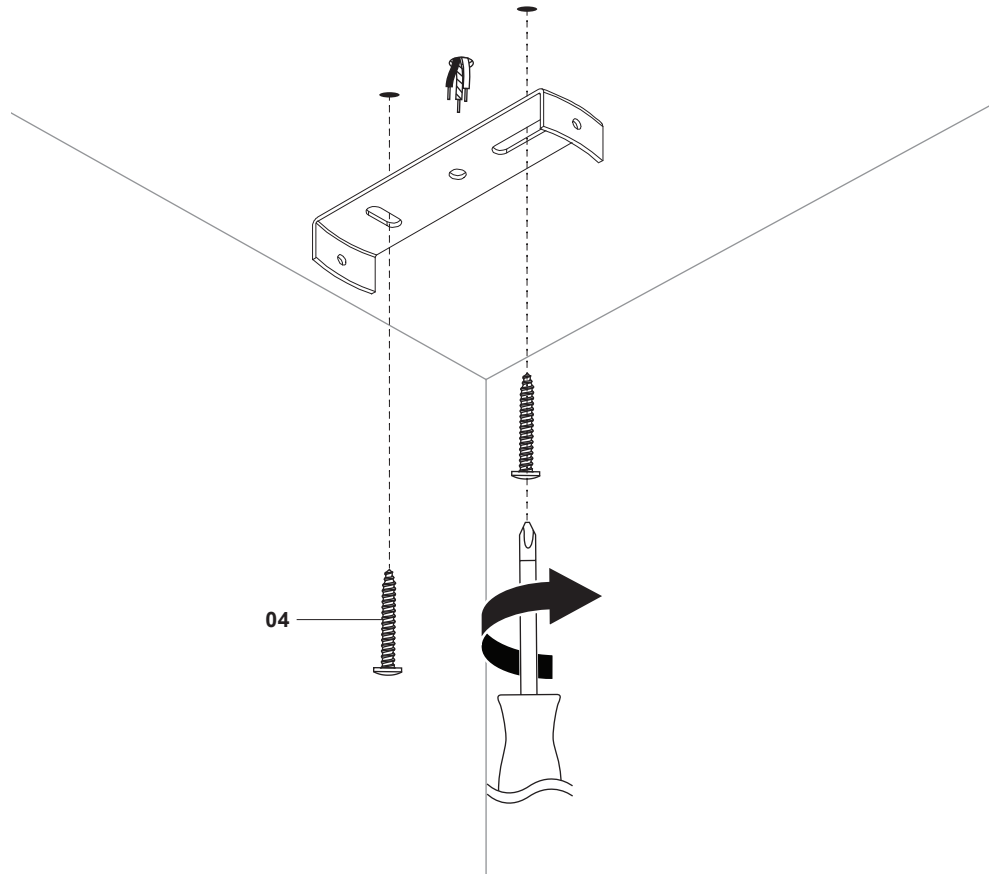
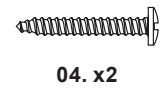
01



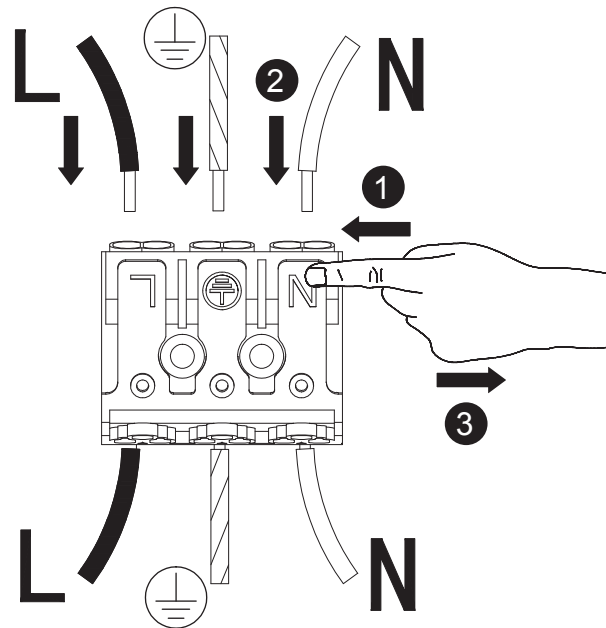
02



03

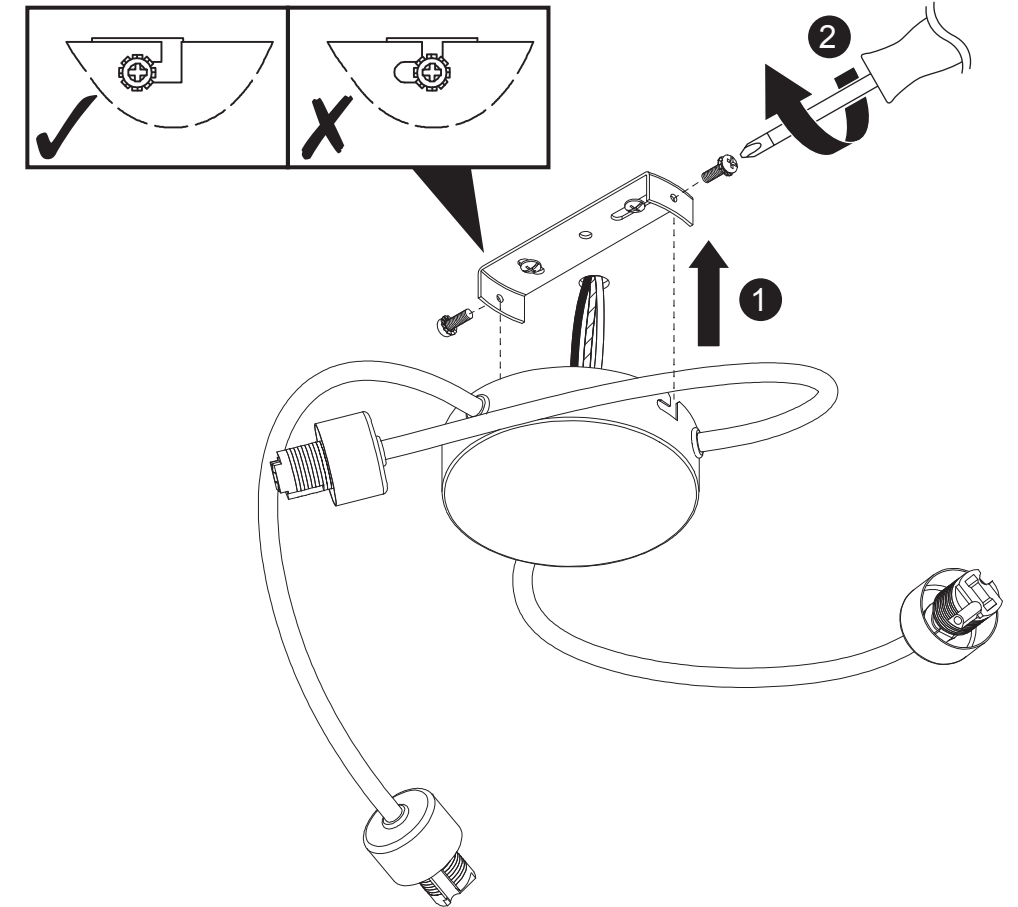


04

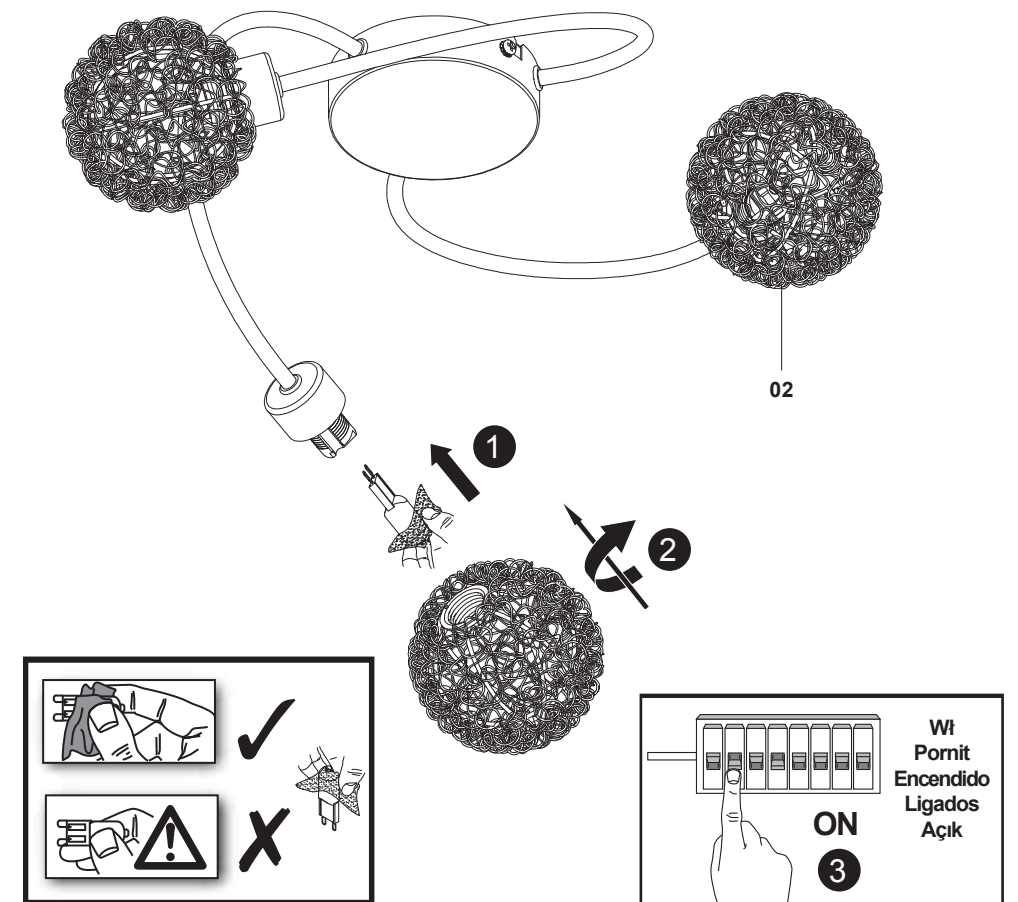


- EN L = Brown or Red
 N = Blue or Black
 PE = Green / Yellow
- FR L = Marron ou Rouge
 N = Bleu
 PE = Vert/Jaune
- PL L = Brązowy lub Czerwony
 N = Niebieski
 PE = Żółto-Zielony
- RO L = Maro sau rosu
 N = Albastru
 PE = Verde / Galben
- ES L = Marrón o Rojo o Negro
 N = Azul
 PE = Amarillo / Verde
- PT L = Castanho ou Vermelho
 N = Azul
 PE = Verde / Amarelo
- TR L = Kahverengi
 N = Mavi
 PE = Sarı-Yeşil

05

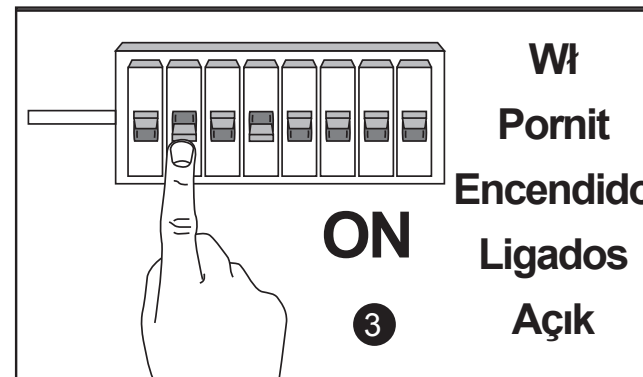
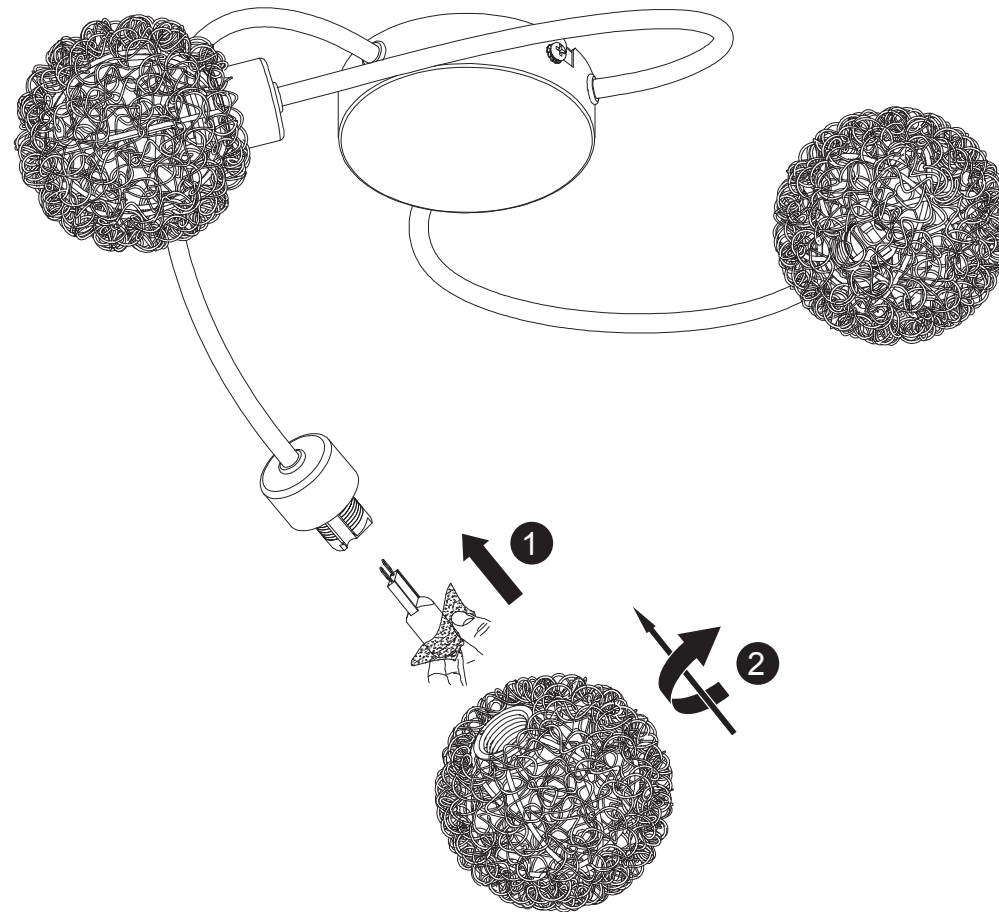
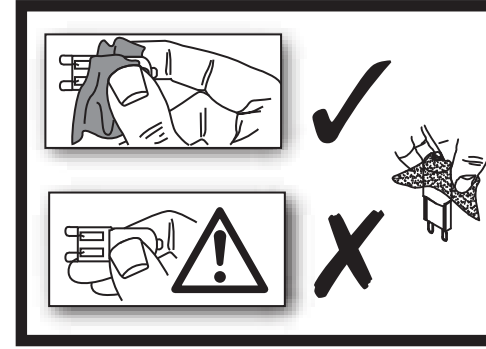
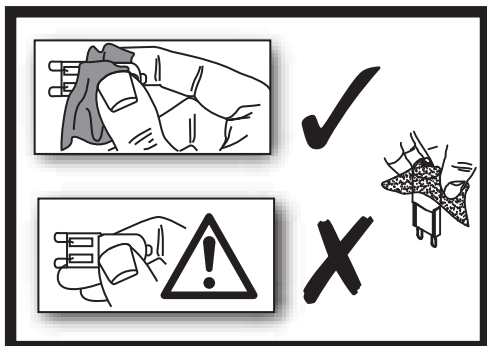
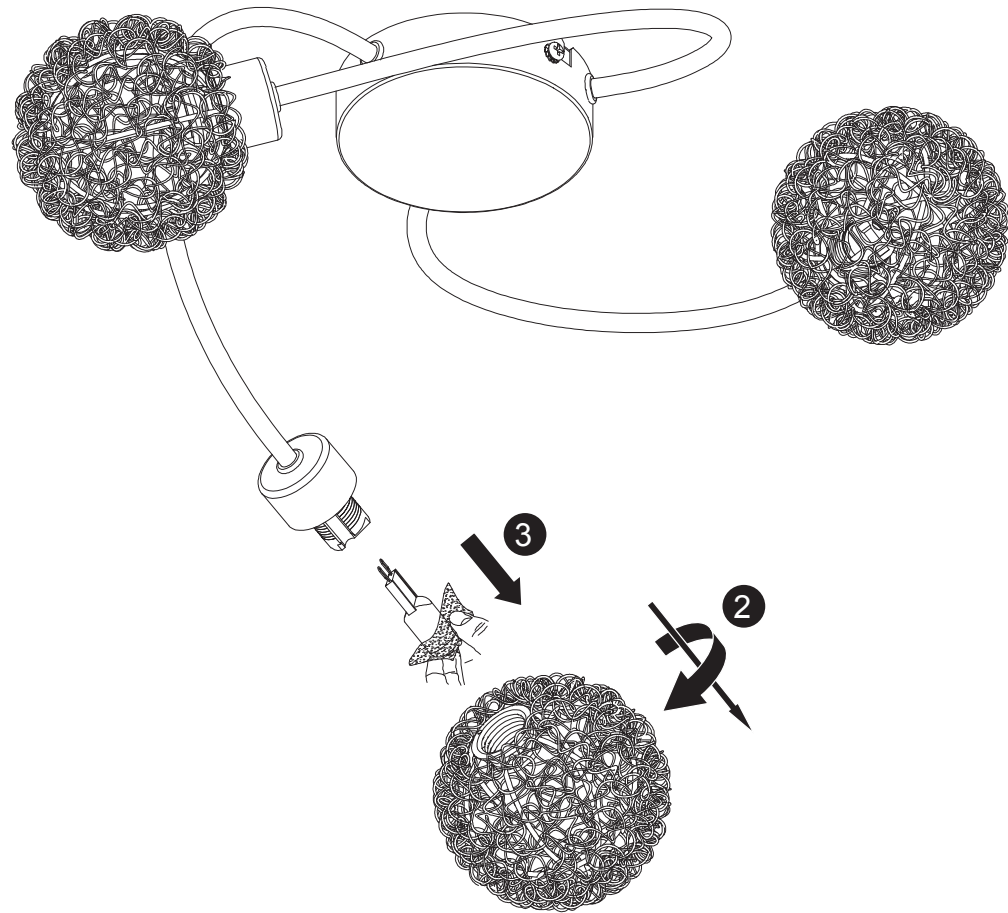
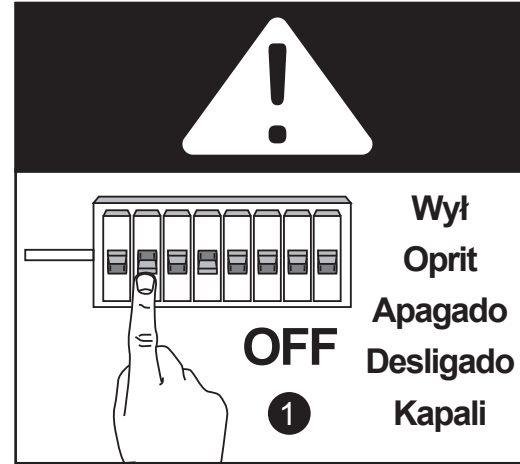


06



02

01



Manufacturer • Fabricant • Producent • Producător • Fabricante

UK Manufacturer:

Kingfisher International Products Limited,
3 Sheldon Square, London, W2 6PX,
United Kingdom

EU Manufacturer:

Kingfisher International Products B.V. Rapenburgerstraat 175E,
1011 VM Amsterdam
The Netherlands

EN www.kingfisher.com/products / www.diy.com / www.screwfix.com / www.screwfix.ie

To view instruction manuals online, visit www.kingfisher.com/products

Made in China

FR www.castorama.fr / www.bricodepot.fr

Pour consulter les manuels d'instructions en ligne, rendez-vous sur le site
www.kingfisher.com/products

Fabriqu  en RPC

PL www.castorama.pl

Aby zapoznać się z instrukcją obsługi online, odwiedź stronę
www.kingfisher.com/products

Wyprodukowano w ChRL

RO www.bricodepot.ro

Pentru a consulta manualele de instrucțiuni online,
vizitați www.kingfisher.com/products

Fabricat în China

ES www.bricodepot.es

Para consultar los manuales de instrucciones en línea,
visite www.kingfisher.com/product

Fabricado en China

PT www.bricodepot.pt

Para consultar manuais de instruções online,
visite www.kingfisher.com/products

Fabricado na China

TR İthalatçı Firma:

KOÇTAŞ YAPI MARKETLERİ TİC. A.Ş. Taşdelen Mah. Sırrı Çelik Bulvarı No:5
34788 Taşdelen/Çekmeköy/İSTANBUL

Tel: +90 216 4300300 / Faks: +90 216 4844313 / www.koctas.com.tr

Kullanım kılavuzuna internet üzerinden ulaşmak

için www.kingfisher.com/products adresini ziyaret edin

Yetkili servis istasyonları ve yedek parça temini için aşağıda yer alan Koçtaş

Müşteri Hattı ve Koçtaş Genel Müdürlük irtibat bilgilerinden faydalanınız.

KOÇTAŞ MÜŞTERİ HİZMETLERİ 0850 209 50 50

AEEE Yönetmeliğine Uygundur

Menşei: Çin