

EN T Shape Hood  
FR Hotte en T  
PL Okap kominowy  
RO Hotă în formă de T  
ES Campana con forma de T  
PT Exaustor em forma de T

**EN IMPORTANT** - These instructions are for your safety. Please read through them thoroughly prior to handling the product and retain them for future reference.

**FR IMPORTANT** : Ces instructions sont données pour votre sécurité. Merci de les lire attentivement avant de manipuler le produit et de les conserver pour référence.

**PL WAŻNE** — Niniejsza instrukcja została opracowana w celu zapewnienia bezpieczeństwa użytkownikowi. Należy ją dokładnie przeczytać przed obsługą produktu i zachować do wykorzystania w przyszłości.

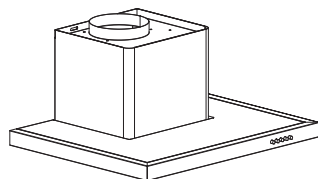
**RO IMPORTANT** - Aceste instrucțiuni sunt pentru siguranța ta. Citește-le cu atenție înainte de montarea produsului și păstrează-le pentru consultare ulterioară.

**ES IMPORTANTE:** Estas instrucciones son para su propia seguridad. Léelas atentamente antes de manipular el producto y guárdelas para futuras consultas.

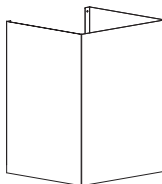
**PT IMPORTANTE** - Estas instruções são para sua segurança. Leia-as atentamente antes de manusear o produto e guarde-as para consultas futuras.

V10622\_5059340445861\_BX220IM

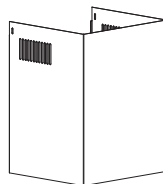
**BH60SS**  
5059340445861



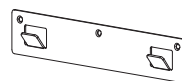
01. x1



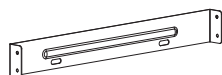
02. x1



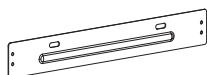
03. x1



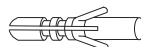
04. x1



05. x1



06. x1



07. x9



08. x3  
(4 x 30mm)



09. x6  
(4 x 30mm)



10. x4  
(4 x 8mm)

EN Not included  
FR Non inclus  
PL Brak w zestawie  
RO Neinclus  
ES No incluido  
PT Não incluído

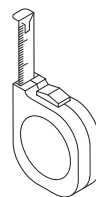
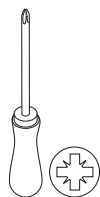


VENT PACK  
(Ø150mm)  
3663602843153



CARBFILT22  
5063022033918

EN You will need FR Vous aurez besoin de PL Będziesz potrzebować  
RO Vei avea nevoie de ES Necesitará PT Vai precisar de



EN Contents FR Table des matières PL Spis treści RO Cuprins  
ES Contenido PT Conteúdo

EN	FR	PL	RO	ES	PT
<b>Safety</b>	3 Sécurité	11 Bezpieczeństwo	21 Siguranță	30 Seguridad	39 Segurança
<b>Guarantee</b>	10 Garantie	20 Gwarancja	30 Garanție	38 Garantía	47 Garantia
<b>Installation</b>	57 Installation	57 Instalacja	57 Montare	57 Instalación	57 Instalação
<b>Use</b>	68 Utilisation	70 Użytkowanie	72 Utilizare	74 Uso	76 Utilização
<b>Functions &amp; Settings</b>	68 Fonctions et réglages	70 Funkcje i ustawienia	72 Funcții și setări	74 Funciones y configuración	76 Funções e configurações
<b>Care &amp; maintenance</b>	80 Entretien et maintenance	82 Czyszczenie i konserwacja	84 Îngrijire și întreținere	86 Cuidados y mantenimiento	88 Cuidados e manutenção



## **EN** **Before you start**

These instructions are for your safety. Please read the following instructions carefully before proceeding with the installation and use of this appliance.



**WARNING: ALL  
INSTALLATION  
WORK MUST BE  
CARRIED OUT BY A  
SUITABLY QUALIFIED  
PERSON, STRICTLY  
FOLLOWING  
LOCAL BUILDING  
REGULATIONS  
AND THESE  
INSTRUCTIONS.**

- To avoid the risks that are always present when you use an electrical appliance it is important that this cooker hood is installed correctly and that you read the safety instructions carefully to avoid misuse and hazards. After unpacking the cooker hood please check that it is not damaged. If in doubt, do not use the appliance but contact Customer Services

on 0800 324 7818 (UK) and 1-800 932 230 (Eire).

- Check the package and make sure you have all of the parts listed and decide upon the appropriate location for your product. If this product contains glass please take care with fitting or handling to prevent personal injury or damage to the product. The specification plate shown on this appliance displays all the necessary identification information for ordering replacement parts. If you sell the appliance, give it away, or leave it behind when you move house, please ensure that you pass on this manual so that the new owner can become familiar with the appliance and its safety warning.

## Safety



**WARNING:** THERE IS A RISK OF ELECTRIC SHOCK AND FIRE IF CLEANING IS NOT CARRIED OUT IN ACCORDANCE WITH THESE INSTRUCTIONS.



**WARNING:** WHERE APPLICABLE, THIS APPLIANCE IS SUPPLIED WITH FIXINGS. PLEASE ENSURE YOU USE THE CORRECT FIXINGS SUITABLE FOR THE SUBSTRATE WHERE THE APPLIANCE WILL BE INSTALLED AND THAT THEY ARE ABLE TO SUPPORT THE WEIGHT OF THE APPLIANCE.



**WARNING:** USE ONLY THE SAME SIZE OF FITTINGS AND MOUNTING SCREWS AS RECOMMENDED IN THIS INSTRUCTION


MANUAL. FAILURE TO FOLLOW THESE INSTRUCTIONS MAY RESULT IN ELECTRICAL HAZARDS.





**WARNING:** SWITCH OFF THE APPLIANCE AT THE MAINS SUPPLY BEFORE CARRYING OUT ANY MAINTENANCE WORK OR CLEANING.




**WARNING:** ACCESSIBLE PARTS MAY BECOME HOT WHEN USED WITH COOKING APPLIANCES. CHILDREN LESS THAN 8 YEARS OF AGE SHALL BE KEPT AWAY UNLESS CONTINUOUSLY SUPERVISED CARE SHOULD BE TAKEN TO AVOID TOUCHING THE APPLIANCE.

 **WARNING:** DO NOT FLAMBE UNDER THE HOOD. TO AVOID THE RISK OF FIRE, CLEAN OR REPLACE THE GREASE FILTER REGULARLY AND CLOSELY MONITOR PANS CONTAINING HOT OIL.

 **WARNING:** MEANS FOR FULL DISCONNECTION MUST BE INCORPORATED IN THE FIXED WIRING IN ACCORDANCE WITH THE LOCAL WIRING INSTALLATION RULES FOR YOUR COUNTRY. AN ALL-POLE DISCONNECTION SWITCH HAVING A CONTACT SEPARATION OF AT LEAST 3 MM IN ALL POLES SHOULD BE CONNECTED DURING INSTALLATION.

 **WARNING:** WHEN THE EXTRACTOR HOOD IS LOCATED ABOVE AN APPLIANCE, THE MINIMUM DISTANCE BETWEEN THE SUPPORTING SURFACE FOR THE COOKING VESSELS ON THE HOB, THE COOKING VESSELS ON THE HOB AND THE LOWEST PART OF THE HOOD SHALL BE:

- GAS HOBS  
≥ 760 MM
- ELECTRIC HOBS  
≥ 650 MM

 **WARNING:** BEFORE CONNECTING THE HOOD, CHECK THAT THE SUPPLIED VOLTAGE AND FREQUENCY MATCH WITH THAT INDICATED ON THE APPLIANCE RATING PLATE. FAILURE TO INSTALL THE APPLIANCE

IN ACCORDANCE WITH THESE INSTRUCTIONS MAY RESULT IN A SAFETY HAZARD. IF IN DOUBT, ASK FOR ADVICE INSTORE OR FROM A QUALIFIED INSTALLER.



**WARNING:** CONSULT LOCAL REGULATIONS REGARDING EXTRACTION OUTLETS AND ENSURE THESE ARE COMPLIED WITH. DO NOT CONNECT THE HOOD TO A VENTILATION OR HOT AIR DUCT CONTAINING COMBUSTION FUMES FROM BURNING GAS OR OTHER FUELS. CONFIRM THAT ROOM VENTILATION IS APPROPRIATE WITH THE LOCAL AUTHORITIES.



**WARNING:** THE HOOD MAY STOP WORKING DURING AN ELECTROSTATIC DISCHARGE (E.G. LIGHTNING). THIS INVOLVES NO RISK OF DAMAGE. SWITCH OFF THE ELECTRICITY SUPPLY TO THE HOOD AND RECONNECT AFTER ONE MINUTE.



**WARNING:** THIS APPLIANCE CAN BE USED BY CHILDREN AGED FROM 8 YEARS AND ABOVE AND PERSONS WITH REDUCED PHYSICAL, SENSORY OR MENTAL CAPABILITIES OR LACK OF EXPERIENCE AND KNOWLEDGE IF THEY HAVE BEEN GIVEN SUPERVISION OR INSTRUCTION CONCERNING USE OF THE APPLIANCE

IN A SAFE WAY AND UNDERSTAND THE HAZARDS INVOLVED. CHILDREN SHALL NOT PLAY WITH THE APPLIANCE. CLEANING AND USER MAINTENANCE SHALL NOT BE MADE BY CHILDREN WITHOUT SUPERVISION. KEEP THE APPLIANCE AND ITS SUPPLY CORD OUT OF THE REACH OF CHILDREN LESS THAN 8 YEARS OLD.

- If the supply cord is damaged, it must be replaced by the manufacturer, its service agent or similarly qualified persons in order to avoid a safety hazard.
- Do not install the appliance outdoors in a damp place or in an area which may be prone to water leaks such as under or near a sink unit. In the event of a water leak affecting the appliance, do not use and contact customer services to arrange for inspection.
- Do not use flammable sprays in close vicinity to the appliance.
- Please dispose of the packing material carefully. There is a fire risk if cleaning is not carried out in accordance with the instructions. Refer to the Care and Maintenance sections carefully for details on how to clean and replace the aluminium and carbon filters (if fitted).
- The LED lamps in this appliance are not replaceable by the consumer. If a lamp fails, please contact the customer helpline at the end of Care & maintenance to arrange an engineer visit.
- Do not use a steam cleaner for care and maintenance.
- The appliance is not intended to be operated by means of an external timer or separate remote control system.
- There shall be adequate ventilation of the room when the hood is used at the same time as appliances burning gas or other fuels. Ensure that the negative pressure of the installation site does not exceed 4 Pa (0.04 mbar) to ensure combustion fumes are not drawn back into the room.

- Do not use the hood if it shows signs of damage or imperfection. Contact customer services for assistance.
- The manufacturer declines all liability for personal or material damage as a result of misuse or incorrect installation of this appliance.
- The appliance is for domestic use only as an extractor hood.

## Electrical Installation

All installation must be carried out by a competent person or qualified electrician. Before connecting the mains supply ensure that the mains voltage corresponds to the voltage on the rating plate.

### Direct Connection

The appliance must be connected directly to the mains using an omnipolar circuit breaker with a minimum opening of 3mm between the contacts.

The installer must ensure that the correct electrical connection has been made and that it complies with the wiring diagram.

The cable must not be bent or compressed.

Regularly check the power plug and power cord for damage. If the supply cord is damaged, it must be replaced by a special cord or assembly available from the manufacturer or its service agent.



**WARNING: THIS IS A CLASS I APPLIANCE AND MUST BE EARTHED**

This appliance is supplied with a 3 core mains cable coloured as follows:

Brown = L or Live

Blue = N or Neutral

Green and Yellow = E or Earth 

**This appliance should be connected directly to the consumer unit with a 3 Amp Residual Current Device (RCD) protecting its circuit.**


To avoid the risks that are always present when you use an electrical appliance it is important that this appliance is installed correctly and that you read the safety instructions carefully to avoid misuse and hazards. Please keep this instruction booklet for future reference and pass it on to any future owners. After unpacking the appliance please check that it is not damaged. If in doubt, do not use the appliance but contact Customer Services.

The manufacturer declines all liability for damage caused to persons and objects due to incorrect or improper installation of the appliance. Any permanent electrical installation must comply with the latest wiring regulations applicable to your country and for your own safety a qualified electrician or contractor should undertake the electrical installation.

The appliance is supplied from the factory to use external ducting (not supplied). Should you wish to use this in recirculation mode only, please fit the correct carbon filter (not supplied).



## Technical data

Supply voltage	220-240 V~ 50 Hz
Power consumption - Fan	65 W
Power consumption - Cooking Light	2 x 2.5 W
Power consumption - Total	70 W
Protection class	I
ILCOSD Code - Cooking Light	DSR-2.5-S-68 

## Information for EU No. 66/2014 and No. 65/2014

### A. Information of the cooker hood ( www.diy.com)

	Value
Supplier's name	Kingfisher Int. Prod. B.V. Kingfisher Int. Prod. Ltd.
Model identification	BH60SS
Annual Energy Consumption (AEC hood) (kWh/year)	34.7
Energy Efficiency class	C
Fluid Dynamic Efficiency	12.2
Fluid Dynamic Efficiency class	E
Lighting Efficiency (LEhood) (lux/W)	32.0
Lighting Efficiency class	A
Grease Filtering Efficiency (GFE hood)	69.7
Grease Filtering Efficiency class (GFEhood)	D
Minimum air flow at working point (in normal use) (m3/h)	214.5
Maximum air flow at working point (in normal use) (m3/h)	318.5
Maximum air flow at highest setting (Qmax) (m3/h)	328.7
Maximum air flow at highest setting (Qmax) (m3/h) (with Boost)	-
Weighted sound power level at minimum setting (LWA) (dB)	59
Weighted sound power level at maximum setting (LWA) (dB)	64
Sound power level of boost if any (LWA) (dB)	-
Measured power consumption off mode (Po) (W)	0

Measured power consumption in standby mode (Ps) (W)	-
Time increase factor (f)	1.6
Energy Efficiency Index (EElhood)	73.4
Measured air flow rate at best efficiency point (QBEP) (m <sup>3</sup> /h)	191.9
Measured air pressure at best efficiency point (PBEP) (Pa)	122
Measured electric power input at best efficiency point (WBEP) (W)	53.2
Nominal power of the lighting system (WL) (W)	5.0
Average illumination of the lighting system on the cooking surface (Emiddle) (lux)	160

The measurement and calculation method of the above table was done in accordance with Commission Delegated Regulation (EU) No 65/2014 & Commission Regulation (EU) No 66/2014.

**B. The following shows how to reduce total environmental impact (e.g. energy use) of the cooking process.**

1. Install the cooker hood in a proper place where there is efficient ventilation.
2. Clean the cooker hood regularly so as not to block the airway.
3. Remember to switch off the cooker hood light after cooking.
4. Remember to switch off the cooker hood after cooking.

**C. Information for dismantling.**

This appliance cannot be dismantled by the user, other than that as shown in the original assembly of the user manual.

At the end of its useful life, the appliance should not be disposed of with household waste. Check with your local governmental authority, domestic waste disposal services or the retailer where the product was bought for recycling advice.

## Recycling & disposal



Waste electrical products (WEEE) should not be disposed of with household waste.

Please recycle where facilities exist. Check with your local governmental authority, domestic waste disposal services or the retailer where the product was bought for recycling advice.

The wheeled bin symbol on the product or its packaging indicates that this product cannot be treated as normal household waste. This product must be handed over to an electric and electronic equipment collection point for recycling. On ensuring that this product is disposed of correctly, you will help to avoid possible negative consequences for the environment and public health, which could occur if this product is not handled correctly.

## Guarantee

We take special care to select high quality materials and use manufacturing techniques that allow us to create products incorporating design and durability. This cooker hood has a manufacturer's guarantee of 2 years against manufacturing defects, from the date of purchase (if bought in store) or date of delivery (if bought online), at no additional cost for normal (non-professional or commercial) household use.

To make a claim under this guarantee, you must present your proof of purchase (such as a sales receipt, purchase invoice or other evidence admissible under applicable law), please keep your proof of purchase in a safe place. For this guarantee to apply, the product you purchased must be new, it will not apply to second hand or display products. Unless stated otherwise by applicable law, any replacement product issued under

this guarantee will only be guaranteed until expiry of the original period guarantee period.

This guarantee covers product failures and malfunctions provided the product was used for the purpose for which it is intended and subject to installation, cleaning, care and maintenance in accordance with the information contained in these terms and conditions, in the user manual and standard practice, provided that standard practice does not conflict with the user manual.

This guarantee does not cover defects and damage caused by normal wear and tear or damage that could be the result of improper use, faulty installation or assembly, neglect, accident, misuse, or modification of the product. Unless stated otherwise by applicable law, this guarantee will not cover, in any case, ancillary costs (shipping, movement, costs of uninstalling and reinstalling, labour etc), or direct and indirect damage.

If the product is defective, we will, within a reasonable time, repair.

Rights under this guarantee are enforceable in the country in which you purchased this product. Guarantee related queries should be addressed to the store you purchased this product from.

The guarantee is in addition to and does not affect your statutory rights.

## **IMPORTANT - RETAIN THIS INFORMATION FOR FUTURE REFERENCE: READ CAREFULLY**

---

## **FR**

### **Avant de commencer**

Ces consignes concernent votre sécurité. Lire attentivement les instructions suivantes avant de procéder à l'installation et à l'utilisation de cet appareil.



#### **AVERTISSEMENT :**

**TOUTES LES  
INSTALLATIONS  
DOIVENT ÊTRE  
EFFECTUÉES PAR  
UNE PERSONNE  
DÛMENT QUALIFIÉE,  
EN SUIVANT  
RIGOREUSEMENT  
LES  
RÉGLEMENTATIONS  
LOCALES EN  
MATIÈRE DE  
CONSTRUCTION ET  
LES PRÉSENTES  
INSTRUCTIONS.**

- Afin de prévenir tout risque lors de l'utilisation d'un appareil électrique, il est important que cette hotte soit installée correctement et de lire attentivement les consignes de sécurité afin d'éviter une mauvaise utilisation et tout danger. Après avoir retiré l'emballage

de la hotte aspirante, vérifier qu'elle n'est pas endommagée. En cas de doute, ne pas utiliser l'appareil et contacter le service client au 0805 114 951.

- Contrôler l'emballage et s'assurer de disposer de toutes les pièces répertoriées, puis choisir l'emplacement approprié du produit. Si ce produit contient du verre, rester prudent lors du montage ou de la manipulation pour éviter toute blessure ou tout dommage du produit. La plaque signalétique placée sur l'appareil affiche toutes les informations d'identification nécessaires pour commander des pièces de rechange. En cas de vente ou de don de l'appareil, ou encore s'il est laissé sur place lors d'un déménagement, s'assurer de remettre cette notice au nouveau propriétaire afin qu'il puisse se familiariser avec l'appareil et les avertissements de sécurité.


## Sécurité





**AVERTISSEMENT :** UN RISQUE DE CHOC ÉLECTRIQUE ET D'INCENDIE PEUT SURVENIR SI LE NETTOYAGE N'EST PAS EFFECTUÉ CONFORMÉMENT À CES INSTRUCTIONS.




**AVERTISSEMENT :** LE CAS ÉCHÉANT, CET APPAREIL EST FOURNI AVEC DES FIXATIONS. LORS DE L'INSTALLATION DE L'APPAREIL, VEILLER À UTILISER LES FIXATIONS ADAPTÉES AU SUPPORT ET S'ASSURER QU'ELLES SONT EN MESURE DE SUPPORTER LE POIDS DE L'APPAREIL.

 **AVERTISSEMENT :**  
UTILISER  
UNIQUEMENT DES  
RACCORDS ET DES  
VIS DE FIXATION  
AUX DIMENSIONS  
RECOMMANDÉES  
DANS CETTE  
NOTICE. LE NON-  
RESPECT DES  
PRÉSENTES  
INSTRUCTIONS  
PEUT ENTRAÎNER  
UN DANGER  
ÉLECTRIQUE.

 **AVERTISSEMENT :**  
ÉTEINDRE  
L'APPAREIL EN  
DÉBRANCHANT  
LE CÂBLE  
D'ALIMENTATION  
AVANT D'EFFECTUER  
TOUT ENTRETIEN  
OU NETTOYAGE.

 **AVERTISSEMENT :**  
LES PARTIES  
ACCESSIBLES  
PEUVENT DEVENIR  
CHAUDES  
LORSQU'ELLES  
SONT UTILISÉES  
AVEC DES

APPAREILS  
DE CUISSON.  
IL CONVIENT  
D'ÉLOIGNER LES  
ENFANTS DE MOINS  
DE 8 ANS, À MOINS  
QU'ILS NE SOIENT  
SURVEILLÉS EN  
PERMANENCE.  
VEILLER À ÉVITER  
TOUT CONTACT  
AVEC L'APPAREIL.

 **AVERTISSEMENT :**  
NE PAS FLAMBER  
D'ALIMENTS SOUS  
LA HOTTE. AFIN  
D'ÉVITER TOUT  
RISQUE D'INCENDIE,  
NETTOYER OU  
REPLACER LE  
FILTRE À GRAISSE  
RÉGULIÈREMENT  
ET SURVEILLER  
DE PRÈS LES  
CASSEROLES  
CONTENANT DE  
L'HUILE CHAUDE.

 **AVERTISSEMENT :**  
DES DISPOSITIFS DE  
COUPURE TOTALE  
DOIVENT ÊTRE  
INCORPORÉS DANS

LE CÂBLAGE FIXE CONFORMÉMENT AUX RÉGLEMENTATIONS LOCALES RELATIVES À L'INSTALLATION ÉLECTRIQUE DE VOTRE PAYS. IL CONVIENT DE CONNECTER UN INTERRUPTEUR DE DÉCONNEXION OMNIPOLAIRE COMPORTANT UNE SÉPARATION DES CONTACTS D'AU MOINS 3 MM POUR TOUS LES PÔLES, LORS DE L'INSTALLATION.



**AVERTISSEMENT :** LORSQUE LA HOTTE EST PLACÉE AU-DESSUS D'UN APPAREIL, LA DISTANCE MINIMALE ENTRE LA SURFACE DE SUPPORT DES RÉCIPIENTS DE CUISSON SUR LA PLAQUE DE CUISSON ET LA

PARTIE LA PLUS BASSE DE LA HOTTE DOIT ÊTRE D'AU MOINS :

- PLAQUES DE CUISSON AU GAZ  $\geq 760$  MM
- PLAQUES DE CUISSON ÉLECTRIQUES  $\geq 650$  MM



**AVERTISSEMENT :** AVANT DE BRANCHER LA HOTTE, VÉRIFIER QUE LA TENSION D'ALIMENTATION ET LA FRÉQUENCE CORRESPONDENT À CE QUI EST INDIQUÉ SUR LA PLAQUE SIGNALÉTIQUE DE L'APPAREIL. LE NON-RESPECT DES PRÉSENTES INSTRUCTIONS D'INSTALLATION DE L'APPAREIL PEUT ENTRAÎNER UN RISQUE D'ACCIDENT. EN CAS DE DOUTE, DEMANDER CONSEIL

EN MAGASIN OU À UN INSTALLATEUR QUALIFIÉ.



**AVERTISSEMENT :** CONSULTER LES RÉGLEMENTATIONS LOCALES CONCERNANT LES SORTIES D'EXTRACTION ET S'ASSURER QUE LES SORTIES SONT CONFORMES. NE PAS BRANCHER LA HOTTE SUR UN CONDUIT DE VENTILATION OU D'AIR CHAUD ASPIRANT DES FUMÉES DE COMBUSTION PROVENANT DE GAZ COMBUSTIBLE OU D'AUTRES COMBUSTIBLES. S'ASSURER QUE LA VENTILATION DE LA PIÈCE EST CONFORME AUX EXIGENCES DES AUTORITÉS LOCALES.



**AVERTISSEMENT :** LA HOTTE PEUT CESSER DE FONCTIONNER PENDANT UNE DÉCHARGE ÉLECTROSTATIQUE (FOUDRE, P. EX.). CELA NE PRÉSENTE AUCUN RISQUE D'ENDOMMAGEMENT. COUPER L'ALIMENTATION ÉLECTRIQUE DE LA HOTTE ET LA REBRANCHER AU BOUT D'UNE MINUTE.



**AVERTISSEMENT :** CET APPAREIL PEUT ÊTRE UTILISÉ PAR DES ENFANTS ÂGÉS DE 8 ANS ET PLUS ET PAR DES PERSONNES AYANT DES CAPACITÉS PHYSIQUES, SENSORIELLES OU MENTALES RÉDUITES, OU PRÉSENTANT UN MANQUE D'EXPÉRIENCE ET DE CONNAISSANCES, À CONDITION QU'ILS

SOIENT CORRECTEMENT SURVEILLÉS OU QU'ILS AIENT REÇU DES INSTRUCTIONS CONCERNANT L'UTILISATION DE L'APPAREIL EN TOUTE SÉCURITÉ ET QU'ILS COMPRENNENT LES RISQUES ENCOURUS. LES ENFANTS NE DOIVENT PAS JOUER AVEC L'APPAREIL. LE NETTOYAGE ET L'ENTRETIEN PAR L'USAGER NE DOIVENT PAS ÊTRE EFFECTUÉS PAR DES ENFANTS SANS SURVEILLANCE. TENIR L'APPAREIL ET SON CÂBLE D'ALIMENTATION HORS DE PORTÉE DES ENFANTS DE MOINS DE 8 ANS.

- Si le cordon d'alimentation est endommagé, il doit être remplacé par le fabricant, son prestataire de service ou par une personne qualifiée afin d'éviter tout risque pour la sécurité.

- Ne pas installer l'appareil à l'extérieur, dans un endroit humide ou dans une zone pouvant présenter des fuites d'eau (par exemple, sous ou près d'un évier). En cas de fuite d'eau susceptible d'endommager l'appareil, ne pas utiliser l'appareil et contacter le service client afin de planifier une inspection.
- Ne pas utiliser d'aérosols à proximité de l'appareil.
- Jeter l'emballage avec soin. Il existe un risque d'incendie si le nettoyage n'est pas effectué conformément à ces instructions. Se référer à la section Entretien et maintenance pour en savoir plus sur la façon de nettoyer et de remplacer les filtres à charbon et en aluminium (si la hotte en est équipée).
- Les lampes LED de cet appareil ne peuvent pas être remplacées par l'utilisateur. En cas de panne d'une lampe, contacter l'assistance téléphonique mentionnée à la fin de la section Entretien et maintenance afin de planifier un rendez-vous avec un technicien.



- Ne pas utiliser pas de nettoyeur à vapeur dans le cadre de l'entretien et de la maintenance.
- Cet appareil n'est pas destiné à être mis en marche à l'aide d'une minuterie externe ou d'un système de contrôle à distance autonome.
- La pièce doit être bien ventilée lorsque la hotte fonctionne en même temps que des appareils utilisant un gaz combustible ou d'autres combustibles. S'assurer que la pression négative du lieu d'installation n'excède pas 4 Pa (0,04 mbar) afin de garantir que les fumées de combustion ne sont pas renvoyées dans la pièce.
- Ne pas utiliser la hotte si elle présente des signes d'endommagement ou des défauts. Contacter le service client pour obtenir de l'aide.
- Le fabricant décline toute responsabilité en cas de dommages corporels ou matériels causés par une mauvaise utilisation ou une installation incorrecte de cet appareil.
- Cet appareil est destiné à un usage domestique uniquement en tant que hotte aspirante.

## Installation électrique

Toute installation doit être effectuée par une personne compétente ou un électricien qualifié. Avant de brancher le câble d'alimentation, s'assurer que la tension du secteur correspond à la tension indiquée sur la plaque signalétique.

### Raccordement direct

L'appareil doit être raccordé directement au secteur à l'aide d'un disjoncteur omnipolaire avec une ouverture minimale de 3mm entre les contacts.

L'installateur doit s'assurer que le raccordement électrique effectué est correct et qu'il respecte le schéma de câblage.

Le câble ne doit pas être plié ou comprimé.

Vérifier régulièrement que la fiche secteur et le cordon d'alimentation ne sont pas endommagés. Si le cordon d'alimentation est endommagé, il doit être remplacé par un cordon spécial ou un ensemble prévu à cet effet, disponible auprès du fabricant ou de son prestataire de service.




**AVERTISSEMENT : IL S'AGIT D'UN APPAREIL ÉLECTROMÉNAGER DE CLASSE I. IL DOIT ÊTRE RACCORDÉ À LA TERRE.**

Cet appareil est livré avec un câble d'alimentation à 3 conducteurs présentant le code couleur suivant :

Marron = L ou Phase

Bleu = N ou Neutre

Vert et jaune = E ou Terre 


**Cet appareil doit être raccordé directement au tableau électrique par l'intermédiaire d'un dispositif différentiel à courant résiduel (DDR) de 3A protégeant son circuit.**

Afin d'éviter tout risque lors de l'utilisation d'un appareil électrique, il est important que celui-ci soit correctement installé et que les instructions de sécurité soient lues attentivement afin d'éviter une mauvaise utilisation et tout danger. Veiller à conserver cette notice pour toute référence ultérieure et à la transmettre aux prochains propriétaires. Après avoir déballé l'appareil, vérifier qu'il n'est pas endommagé. En cas de doute, ne pas utiliser l'appareil et contacter le service client.

Le fabricant décline toute responsabilité en cas de dommages corporels ou matériels causés par une mauvaise utilisation ou installation incorrecte de l'appareil. Toute installation électrique permanente doit être conforme aux dernières réglementations en matière d'installations électriques applicables dans votre pays et, pour votre propre sécurité, il convient qu'un électricien qualifié ou un entrepreneur effectue cette installation.

L'appareil fourni par l'usine est conçu pour utiliser un conduit d'évacuation externe (non fourni). Pour utiliser le mode de recyclage uniquement, équiper la hotte du filtre à charbon approprié (non fourni).

## Données techniques

Tension d'alimentation	220-240 V~ 50 Hz
Consommation électrique - Ventilateur	65 W
Consommation électrique - Éclairage de cuisson	2 x 2,5 W
Consommation électrique - Total	70 W
Catégorie de protection	I
Code ILCOSD - Éclairage de cuisson	DSR-2.5-S-68 

## Informations relatives aux règlements de l'UE n° 66/2014 et n° 65/2014

### A. Informations relatives à la hotte ([www.diy.com](http://www.diy.com))

	Valeur
Nom du fournisseur	Kingfisher Int. Prod. B.V. Kingfisher Int. Prod. Ltd.
Identification de modèle	BH60SS
Consommation énergétique annuelle de la hotte (AEC hotte) (kWh/an)	34,7
Classe d'efficacité énergétique	C
Efficacité fluidodynamique	12,2
Classe d'efficacité fluidodynamique	E
Efficacité lumineuse (LE hotte) (lux/W)	32,0
Classe d'efficacité lumineuse	A
Efficacité de filtration des graisses (GFE hotte)	69,7
Classe d'efficacité de filtration des graisses (GFE hotte)	D
Débit d'air minimal au point de travail (en utilisation normale) (m3/h)	214,5
Débit d'air maximal au point de travail (en utilisation normale) (m3/h)	318,5
Débit d'air maximal au réglage maximal (Qmax) (m3/h)	328,7

Débit d'air maximal au réglage maximal (Qmax) (m3/h) (avec Boost)	-
Niveau de puissance acoustique pondéré au réglage minimal (LWA) (dB)	59
Niveau de puissance acoustique pondéré au réglage maximal (LWA) (dB)	64
Niveau de puissance acoustique du Boost le cas échéant (LWA) (dB)	-
Consommation d'électricité mesurée en mode arrêt (Po) (W)	0
Consommation d'électricité mesurée en mode veille (Ps) (W)	-
Facteur d'accroissement dans le temps (f)	1,6
Indice d'efficacité énergétique (IEE hotte)	73,4
Débit d'air mesuré au point de rendement maximal (QBEP) (m3/h)	191,9
Pression d'air mesurée au point de rendement maximal (PBEP) (Pa)	122
Puissance électrique en entrée mesurée au point de rendement maximal (WBEP) (W)	53,2
Puissance nominale du système d'éclairage (WL) (W)	5,0
Éclairage moyen du système d'éclairage sur la surface de cuisson (E milieu) (lux)	160

Les méthodes de mesure et de calcul du tableau ci-dessus ont été définies conformément au règlement délégué de la Commission (UE) n° 65/2014 et au règlement de la Commission (UE) n° 66/2014.

#### **B. Ce qui suit explique comment réduire l'impact environnemental (par ex., utilisation de l'énergie) du processus de cuisson.**

1. Installer la hotte à un endroit approprié, où la ventilation est suffisante.
2. Nettoyer régulièrement la hotte afin de ne pas obstruer le conduit.
3. Ne pas oublier d'éteindre l'éclairage de la hotte après la cuisson.
4. Ne pas oublier d'éteindre la hotte après la cuisson.

#### **C. Informations relatives au démontage.**

L'utilisateur ne peut pas démonter cet appareil d'une autre manière que celle indiquée dans le manuel d'utilisation pour le montage initial.

À la fin de sa durée de vie, l'appareil ne doit pas être jeté avec les déchets ménagers. Pour obtenir des conseils sur le recyclage, consulter les autorités locales, les services d'enlèvement des ordures ménagères ou le distributeur chez qui le produit a été acheté.

## **Recyclage et mise au rebut**



Les produits électriques usagés (DEEE) ne doivent pas être jetés avec les ordures ménagères.

Pour le recyclage, l'appareil doit être déposé dans un centre de collecte prévu à cet effet. Pour obtenir des conseils sur le recyclage, consulter les autorités locales, les services d'enlèvement des ordures ménagères ou le distributeur chez qui le produit a été acheté.

Le symbole de la poubelle barrée sur le produit ou son emballage indique que ce produit ne peut pas être traité comme un déchet ménager normal. Ce produit doit être remis à un point de collecte d'équipements électriques et électroniques pour être recyclé. En vous assurant que ce produit est éliminé correctement, vous contribuerez à éviter des conséquences potentiellement néfastes sur l'environnement et la santé publique suite à une mauvaise manipulation du produit.

## Garantie

Nous veillons tout particulièrement à sélectionner des matériaux de haute qualité et à utiliser des techniques de fabrication qui nous permettent de créer des produits à la fois design et durables. Ce hotte aspirante bénéficie d'une garantie fabricant de 2 ans couvrant les défauts de fabrication à compter de la date d'achat (en cas d'achat en magasin) ou de la date de livraison (en cas d'achat sur Internet), sans coût supplémentaire pour une utilisation domestique normale (non commerciale ni professionnelle).

Pour déposer une réclamation au titre de cette garantie, vous devez présenter votre preuve d'achat (ticket de caisse, facture d'achat ou toute autre preuve recevable en vertu de la loi en vigueur). Conservez votre preuve d'achat dans un endroit sûr. Pour que cette garantie soit applicable, le produit que vous avez acheté doit être neuf. La garantie ne s'applique pas aux produits d'occasion ou aux modèles d'exposition. Sauf indication contraire prévue par la loi en vigueur, tout produit de remplacement fourni au titre de la présente garantie ne sera garanti que jusqu'à expiration de la période de garantie initiale.

Cette garantie couvre les défaillances et dysfonctionnements du produit, sous réserve que le produit ait été utilisé conformément à l'usage pour lequel il a été conçu, qu'il ait été installé, nettoyé et entretenu conformément aux informations contenues dans les présentes conditions générales ainsi que dans le manuel d'utilisation, et conformément à la pratique, sous réserve que celles-ci n'aillent pas à l'encontre du manuel d'utilisation.

Cette garantie ne couvre pas les défauts et dommages causés par l'usure normale ni les dommages pouvant résulter d'une utilisation non conforme, d'une installation ou d'un assemblage défectueux, ou d'une négligence, d'un accident, d'une mauvaise utilisation ou d'une modification du produit. Sauf indication contraire prévue par la loi en vigueur, cette garantie ne couvre en aucun cas les coûts accessoires (expédition, transport, frais de désinstallation et réinstallation, main d'œuvre, etc.), ni les dommages directs et indirects.

Si le produit est défectueux, nous nous engageons, dans un délai raisonnable, à réparer.

Cette garantie est valable dans le pays où vous avez acheté ce produit. Toute demande au titre de la garantie doit être adressée au magasin où vous avez acheté ce produit.

Cette garantie s'ajoute à vos droits au titre de la loi, sans les affecter.

Si vous avez acheté ce produit en France, en plus de cette garantie commerciale, le vendeur reste tenu de respecter la garantie légale de conformité prévue par les articles L217-4 à L217-14 du Code de la consommation et aux articles qui concernent les vices cachés de la chose vendue dans les conditions prévues aux articles 1641 à 1648 et 2232 du Code civil. Le distributeur auprès duquel vous avez acheté ce produit répond de tout défaut de conformité ou vice caché du produit, conformément aux présentes dispositions.

En vertu de l'article L217-16 du Code de la consommation, lorsque l'acheteur demande au vendeur, pendant la durée de la garantie commerciale qui lui a été consentie lors de l'acquisition ou de la réparation d'un bien meuble, une remise en état couverte par la garantie, toute période d'immobilisation d'au moins sept jours vient s'ajouter à la durée de la garantie qui reste à courir. Cette période court à compter de la demande d'intervention de l'acheteur ou de la mise à disposition pour réparation du bien en cause, si cette mise à disposition est postérieure à la demande d'intervention. Garantie légale de conformité (extrait du Code de la consommation) : Article L217-4 du Code de la consommation - Le vendeur doit livrer un bien conforme au contrat et répond des défauts de conformité existant lors de la livraison. Il répond également des défauts de conformité résultant de l'emballage, des instructions de montage ou de l'installation lorsque celle-ci a été mise à sa charge par le contrat ou a été réalisée sous sa responsabilité. Article L217-5 du Code de la consommation - Le bien est conforme au contrat : 1. S'il est adapté à l'objectif généralement prévu pour des biens similaires et, le cas échéant : s'il correspond à la description donnée par le vendeur et possède les qualités présentées par le vendeur à l'acheteur sous forme d'échantillon ou de modèle ; s'il présente des qualités que l'acheteur peut légitimement attendre au regard des déclarations publiques faites par le vendeur, par le fabricant ou par son représentant, notamment dans la publicité ou l'étiquetage ; 2. Ou s'il présente les caractéristiques définies d'un commun accord par les parties ou est propre à tout usage spécial recherché par l'acheteur, porté à la connaissance du vendeur et que ce dernier a accepté. Article L217-12 du Code de la consommation - Toute réclamation suite à un défaut de conformité est limitée à deux ans à compter de la livraison du bien. Garantie légale sur les vices cachés (extrait

du Code de la consommation) : Article 1641 du Code civil - Le vendeur est tenu de la garantie en cas de défauts cachés de la chose vendue qui la rendent impropre à l'usage auquel on la destine, ou qui diminuent tellement cet usage que l'acheteur ne l'aurait pas acquise, ou n'en aurait donné qu'un moindre prix, s'il les avait connus. Article 1648 du Code civil (alinéa 1) - Toute réclamation résultant de vices cachés doit être faite par l'acheteur dans un délai de deux ans à compter de la découverte du vice.

## **IMPORTANT - CONSERVER CES INFORMATIONS POUR CONSULTATION ULTÉRIEURE : À LIRE ATTENTIVEMENT**

### **PL Przed rozpoczęciem użytkowania**

Niniejsza instrukcja została opracowana w celu zapewnienia bezpieczeństwa użytkownikowi. Należy dokładnie przeczytać następujące instrukcje przed rozpoczęciem montażu i użytkowania urządzenia.



**OSTRZEŻENIE:**  
MONTAŻ MUSI  
ZOSTAĆ WYKONANY  
PRZEZ OSOBĘ  
POSIADAJĄCĄ  
ODPOWIEDNIE

## **KWALIFIKACJE, Z ZACHOWANIEM PEŁNEJ ZGODNOŚCI Z LOKALNYMI PRZEPISAMI BUDOWLANYMI I INFORMACJAMI ZAWARTYMI W NINIEJSZEJ INSTRUKCJI OBSŁUGI.**

- Aby ograniczyć do minimum ryzyko związane z użytkowaniem urządzeń elektrycznych, niezwykle ważne jest, aby ten okap kuchenny został prawidłowo zamontowany oraz aby użytkownik dokładnie zapoznał się z instrukcjami dotyczącymi bezpieczeństwa i unikał nieprawidłowej obsługi oraz związanych z tym zagrożeń. Po rozpakowaniu okapu kuchennego sprawdzić, czy nie jest on uszkodzony. W razie wątpliwości nie korzystać z urządzenia i skontaktować się z działem obsługi klienta, dzwoniąc pod numer 800 121 2222.
- Sprawdzić zawartość opakowania i upewnić się, że zawiera wszystkie części wymienione w specyfikacji,

oraz wybrać docelowe miejsce produktu. Jeśli produkt zawiera elementy szklane, podczas montażu lub obsługi zachować ostrożność, aby uniknąć obrażeń ciała lub uszkodzenia produktu. Tabliczka znamionowa znajdująca się na urządzeniu zawiera wszystkie informacje identyfikacyjne potrzebne do zamówienia części zamiennych. W przypadku sprzedaży urządzenia, przekazania go innym osobom lub pozostawienia w domu po wyprowadzce należy przekazać niniejszą instrukcję obsługi nowemu właścicielowi, aby umożliwić mu zaznajomienie się z urządzeniem i ostrzeżeniami dotyczącymi bezpieczeństwa.

## Bezpieczeństwo



**OSTRZEŻENIE:** JEŚLI PRACE ZWIĄZANE Z CZYSZCZENIEM NIE SĄ WYKONYWANE ZGODNIE Z NINIEJSZYMI INSTRUKCJAMI, ISTNIEJE RYZYKO PORAŻENIA PRĄDEM

ELEKTRYCZNYM LUB WYBUCHU POŻARU.



**OSTRZEŻENIE:** W STOSOWNYCH PRZYPADKACH URZĄDZENIE JEST DOSTARCZANE Z MOCOWANIAM. NALEŻY UPEWNIĆ SIĘ, ŻE UŻYWANE MOCOWANIA SĄ ODPOWIEDNIE DO PODŁOŻA, NA KTÓRYM MA BYĆ ZAMONTOWANE URZĄDZENIE, ORAZ ŻE UTRZYMAJĄ JEGO CIĘŻAR.



**OSTRZEŻENIE:** UŻYWAĆ WYŁĄCZNIE MOCOWAŃ I WKRĘTÓW MOCUJĄCYCH O ROZMIARACH PODANYCH W NINIEJSZEJ INSTRUKCJI OBSŁUGI. NIEPRZESTRZEGANIE NINIEJSZYCH INSTRUKCJI MOŻE SPOWODOWAĆ ZA-

GROŻENIE ELEKTRYCZNE.



**OSTRZEŻENIE:**  
PRZED  
PRZYSTĄPIENIEM  
DO PRAC  
KONSERWACYJNYCH  
LUB CZYSZCZENIA  
ODŁĄCZYĆ  
URZĄDZENIE  
OD ZASILANIA  
SIECIOWEGO.



**OSTRZEŻENIE:**  
DOSTĘPNE CZĘŚCI  
MOGĄ NAGRZEWAĆ  
SIĘ W TRAKCIE  
KORZYSTANIA Z  
URZĄDZENIA. DZIECI  
PONIŻEJ 8 ROKU  
ŻYCIA NIE POWINNY  
ZBLIŻAĆ SIĘ DO  
URZĄDZENIA, JEŚLI  
NIE ZNAJDUJĄ SIĘ  
POD NADZOREM  
DOROSŁEJ OSOBY.



**OSTRZEŻENIE:**  
POD OKAPEM  
NIE NALEŻY  
PRZYGOTOWYWAĆ  
PŁONĄCYCH  
POTRAW. ABY  
UNIKNAĆ RYZYKA

WYSTĄPIENIA  
POŻARU, NALEŻY  
REGULARNIE  
CZYŚCIĆ LUB  
WYMIENIAĆ FILTR  
ODTŁUSZCZAJĄCY  
I KONTROLOWAĆ  
NACZYNNIA  
ZAWIERAJĄCE  
GORĄCY OLEJ.



**OSTRZEŻENIE:**  
ELEMENT  
UMOŻLIWIAJĄCY  
CAŁKOWITE  
ODŁĄCZENIE  
URZĄDZENIA  
NALEŻY PODŁĄCZYĆ  
DO INSTALACJI  
ELEKTRYCZNEJ  
ZGODNIE Z  
PRZEPISAMI  
DOTYCZĄCYMI  
INSTALACJI  
ELEKTRYCZNYCH  
OBOWIĄZUJĄCYMI  
W DANYM KRAJU.  
PODCZAS  
INSTALACJI NALEŻY  
PODŁĄCZYĆ  
WIELOBIEGUNOWY  
WYŁĄCZNIK,  
W KTÓRYM

ROZWARCIE  
MIĘDZY STYKAMI  
NA WSZYSTKICH  
BIEGUNACH WYNOŚI  
CO NAJMNIEJ 3 MM.



**OSTRZEŻENIE:** JEŚLI  
OKAP KUCHENNY  
ZNAJDUJE SIĘ NAD  
URZĄDZENIEM,  
MINIMALNA  
ODLEGŁOŚĆ MIĘDZY  
POWIERZCHNIĄ  
PŁYTY GRZEWCZEJ  
A NAJNIŻSZĄ  
CZĘŚCIĄ OKAPU  
POWINNA WYNOŚIĆ:  
- PŁYTY GAZOWE  
≥ 760 MM  
- PŁYTY  
ELEKTRYCZNE  
≥ 650 MM



**OSTRZEŻENIE:**  
PRZED PODŁĄCZENI-  
EM OKAPU NALEŻY  
SPRAWDZIĆ, CZY  
NAPIĘCIE I CZĘSTOT-  
LIWOŚĆ ZASILANIA  
ODPOWIADAJĄ SPE-  
CYFIKACJI PODANEJ  
NA TABLICZCE  
ZNAMIONOWEJ  
URZĄDZENIA.

ZAMONTOWANIE  
URZĄDZENIA NIEZ-  
GODNIE Z NINIEJSZĄ  
INSTRUKCJĄ MOŻE  
SPOWODOWAĆ ZA-  
GROŻENIE DLA BEZ-  
PIECZEŃSTWA. W  
RAZIE WĄTPLIWOŚCI  
NALEŻY ZASIĘGNAĆ  
RADY W SKLEPIE  
LUB U WYKWALI-  
FIKOWANEGO MON-  
TERA.



**OSTRZEŻENIE:**  
ZAPOZNAĆ SIĘ  
Z LOKALNYMI  
PRZEPISAMI  
DOTYCZĄCYMI  
WYCIĄGÓW I  
UPEWNIĆ SIĘ,  
ŻE SĄ ONE  
PRZESTRZEGANE.  
NIE WOLNO  
PODŁĄCZAĆ  
OKAPU DO KANAŁU  
WENTYLACYJNEGO  
LUB KANAŁU  
GORĄCEGO  
POWIETRZA  
ZAWIERAJĄCEGO  
OPARY SPALANIA  
GAZU LUB



INNYCH PALIW.  
UPEWNIĆ SIĘ,  
ŻE WENTYLACJA  
POMIESZCZENIA  
JEST ODPOWIEDNIA,  
KONTAKTUJĄC SIĘ  
Z ADMINISTRACJĄ  
BUDYNKU.



**OSTRZEŻENIE:**

OKAP MOŻE  
PRZESTAĆ DZIAŁAĆ  
PODCZAS WYŁAD-  
OWANIA ELEKTRO-  
STATYCZNEGO (NP.  
UDERZENIE PIORU-  
NA). NIE WIĄŻE SIĘ  
TO Z RYZYKIEM USZ-  
KODZENIA. NALEŻY  
WYŁĄCZYĆ ZASILA-  
NIE ELEKTRYCZNE  
OKAPU I WŁĄCZYĆ  
JE PONOWNIE PO  
UPŁYWIE JEDNEJ  
MINUTY.



**OSTRZEŻENIE:**

URZĄDZENIE MOGĄ  
OBSŁUGIWAĆ  
DZIECI W WIEKU  
CO NAJMNIEJ 8  
LAT I OSOBY O  
OGRANICZONEJ  
SPRAWNOŚCI

FIZYCZNEJ,  
SENSORYCZNEJ  
LUB UMYSŁOWEJ,  
A TAKŻE OSOBY  
NIEPOSIADAJĄCE  
WYSTARCZAJĄCEGO  
DOŚWIADCZENIA  
BĄDŹ  
WYSTARCZAJĄCEJ  
WIEDZY, POD  
WARUNKIEM  
ŻE BĘDĄ  
NADZOROWANE  
LUB ZOSTAŁY  
POINSTRUOWANE  
O ZASADACH  
UŻYTKOWANIA  
URZĄDZENIA  
W BEZPIECZNY  
SPOSÓB ORAZ  
SĄ ŚWIADOME  
ZWIĄZANYCH Z TYM  
ZAGROŻEŃ. DZIECI  
NIE POWINNY BAWIĆ  
SIĘ URZĄDZENIEM.  
PRACE ZWIĄZANE  
Z CZYSZCZENIEM  
I KONSERWACJĄ  
NIE POWINNY BYĆ  
WYKONYWANE  
PRZEZ DZIECI BEZ  
ODPOWIEDNIEGO

## NADZORU. CHRONIĆ URZĄDZENIE I PRZEWÓD ZASILAJĄCY PRZED DZIEĆMI W WIEKU PONIŻEJ 8 LAT.

- Jeśli dojdzie do uszkodzenia przewodu zasilania, ze względów bezpieczeństwa powinien on zostać wymieniony przez producenta, przedstawiciela serwisowego lub inną osobę o podobnych kwalifikacjach.
- Nie wolno montować urządzenia na zewnątrz w wilgotnym miejscu lub obszarze, który może być podatny na wycieki wody, np. pod zlewozmywakiem lub w jego pobliżu. W przypadku zalania urządzenia wodą należy zaprzestać jego użytkowania i skontaktować się z działem obsługi klienta w celu ustalenia terminu przeglądu.
- Nie używać sprayów łatwopalnych w pobliżu urządzenia.
- Należy odpowiednio zutylizować opakowanie. Jeśli czyszczenie nie jest wykonywane zgodnie z niniejszymi instrukcjami, istnieje ryzyko wybuchu pożaru. Szczegółowe informacje na temat czyszczenia i wymiany filtrów aluminiowych i węglowych (jeśli są zamontowane) znajdują się w rozdziale Czyszczenie i konserwacja.
- Oświetlenie LED w tym urządzeniu nie może być wymienione przez użytkownika. Jeśli dojdzie do awarii oświetlenia, należy skontaktować się z infolinią dla klientów w celu umówienia wizyty serwisanta.
- Do czyszczenia i konserwacji nie należy używać myjek parowych.
- To urządzenie nie jest przeznaczone do obsługi za pomocą zewnętrznego programatora ani układu zdalnego sterowania.
- Należy zapewnić odpowiednią wentylację pomieszczenia, jeśli okap jest używany w tym samym czasie, co urządzenia spalające gaz lub inne paliwa. Należy upewnić się, że podciśnienie w pomieszczeniu z okapem nie przekracza 4 Pa (0,04 mbar), aby opary spalania nie były zasysane z powrotem do pomieszczenia.

- Nie używać okapu, jeśli wykazuje oznaki uszkodzenia lub wad. Należy skontaktować się z działem obsługi klienta w celu uzyskania porady.
- Producent nie ponosi żadnej odpowiedzialności za obrażenia ciała lub uszkodzenia mienia powstałe na skutek nieprawidłowego użytkowania lub montażu urządzenia.
- Urządzenie jest przeznaczone wyłącznie do użytku w gospodarstwach domowych jako wyciąg kuchenny.



**OSTRZEŻENIE: JEST TO URZĄDZENIE O KLASIE OCHRONNOŚCI I, CO OZNACZA, ŻE MUSI BYĆ UZIEMIENE.**

Urządzenie jest dostarczane z 3-żyłowym przewodem zasilania o następujących kolorach:

Brazowy = L (pod napięciem)

Niebieski = N (neutralny)

Zielony i żółty = E (uziemiaenie) 

**Urządzenie należy podłączyć bezpośrednio do rozdzielnicę poprzez wyłącznik różnicowoprądowy (RCD) o natężeniu 3 A.**

Aby ograniczyć do minimum ryzyko związane z użytkowaniem urządzenia elektrycznego, niezwykle ważne jest, aby produkt został prawidłowo zamontowany oraz aby użytkownik dokładnie zapoznał się z instrukcjami dotyczącymi bezpieczeństwa i unikał nieprawidłowej obsługi oraz związanych z tym zagrożeń. Należy zachować instrukcję obsługi w celu wykorzystania w przyszłości i przekazania jej kolejnym właścicielom. Po rozpakowaniu urządzenia upewnić się, że nie jest ono uszkodzone. W razie wątpliwości nie należy używać urządzenia, lecz skontaktować się z działem obsługi klienta.

Producent nie ponosi żadnej odpowiedzialności za obrażenia ciała lub uszkodzenia mienia powstałe na skutek nieprawidłowego lub nieodpowiedniego montażu urządzenia. Wszelkie stałe instalacje elektryczne muszą być zgodne z najnowszymi przepisami dotyczącymi okablowania, obowiązującymi w danym kraju. Dla własnego bezpieczeństwa należy zlecić montaż instalacji elektrycznej wykwalifikowanemu elektrykowi lub wykonawcy.

Urządzenie jest fabrycznie przystosowane do używania z kanałem wentylacyjnym prowadzącym na zewnątrz (w zestawie brak rur do instalacji). Jeśli użytkownik chce korzystać z okapu w wersji pochłaniacza (recyrkulacja), należy zamontować odpowiedni filtr węglowy (nie jest dostarczany w zestawie).

## Podłączenie elektryczne

Wszystkie podłączenia muszą zostać wykonane przez wykwalifikowanego elektryka lub inną kompetentną osobę. Przed podłączeniem do zasilania sieciowego należy upewnić się, czy napięcie sieciowe odpowiada napięciu na tabliczce znamionowej.

### Podłączenie bezpośrednie

Urządzenie należy podłączyć bezpośrednio do sieci zasilającej, korzystając z wyłącznika wielobiegunowego z minimalnym rozwarciem między stykami 3 mm.


Monter powinien upewnić się, że połączenie zostało odpowiednio poprowadzone i że jest ono zgodne ze schematem instalacji.

Przewód nie może być zagięty ani przygnieciony.

Regularnie sprawdzać podłączenie i przewód zasilający pod kątem uszkodzeń. Jeśli przewód zasilania jest uszkodzony, należy go wymienić na odpowiadający przewód lub zespół dostępny u producenta lub u jego przedstawiciela serwisowego.

## Dane techniczne

Napięcie zasilania	220 – 240 V~ 50 Hz
Zużycie energii — wentylator	65 W
Zużycie energii — oświetlenie	2 x 2,5 W
Zużycie energii — całkowite	70 W
Klasa ochronności	I
Kod ILCOSD — oświetlenie	DSR-2.5-S-68



## Informacje dla krajów UE nr 66/2014 i nr 65/2014

### A Informacje dotyczące okapu kuchennego ([www.diy.com](http://www.diy.com))

	Wartość
Nazwa dostawcy	Kingfisher Int. Prod. B.V. Kingfisher Int. Prod. Ltd.
Oznaczenie modelu	BH60SS
Roczne zużycie energii (AEChood) (kWh/rok)	34,7
Klasa efektywności energetycznej	C
Dynamiczna wydajność płynów	12,2
Klasa dynamicznej wydajności płynów	E
Sprawność oświetlenia (LEhood) (lux/W)	32,0
Klasa sprawności oświetlenia	A
Efektywność pochłaniania zanieczyszczeń (GFEhood)	69,7
Klasa efektywności pochłaniania zanieczyszczeń (GFEhood)	D
Minimalny przepływ powietrza w punkcie roboczym (przy normalnym użytkowaniu) (m <sup>3</sup> /h)	214,5
Maksymalny przepływ powietrza w punkcie roboczym (przy normalnym użytkowaniu) (m <sup>3</sup> /h)	318,5
Maksymalne natężenie przepływu powietrza przy najwyższym ustawieniu (Q <sub>max</sub> ) (m <sup>3</sup> /h)	328,7
Maksymalne natężenie przepływu powietrza przy najwyższym ustawieniu (Q <sub>max</sub> ) (m <sup>3</sup> /h) (z funkcją zwiększonej mocy Boost)	-
Ważony poziom mocy akustycznej przy ustawieniu minimalnym (LWA) (dB)	59

Ważony poziom mocy akustycznej przy ustawieniu maksymalnym (LWA) (dB)	64
Poziom mocy akustycznej funkcji zwiększonej mocy, jeśli występuje (LWA) (dB)	-
Zmierzony pobór mocy w trybie wyłączenia (Po) (W)	0
Zmierzony pobór mocy w trybie gotowości (Ps) (W)	-
Współczynnik upływu czasu (f)	1,6
Wskaźnik efektywności energetycznej (EEIhood)	73,4
Zmierzone natężenie przepływu powietrza w optymalnym punkcie pracy (QBEP) (m <sup>3</sup> /h)	191,9
Zmierzone ciśnienie powietrza w optymalnym punkcie pracy (PBEP) (Pa)	122
Zmierzony pobór energii elektrycznej w optymalnym punkcie pracy (WBEP) (W)	53,2
Moc nominalna systemu oświetlenia (WL) (W)	5,0
Średnie natężenie światła zapewnianego przez system oświetlenia na powierzchni płyty grzejnej (E <sub>sr</sub> ) (lux)	160

Metoda obliczania i pomiaru danych zamieszczonych w powyższej tabeli jest zgodna z rozporządzeniem delegowanym Komisji (UE) nr 65/2014 i rozporządzeniem Komisji (UE) 66/2014.

**B. Poniżej opisano, jak można zmniejszyć całkowity wpływ procesu gotowania na środowisko (np. zużycie energii).**

1. Okap kuchenny powinien być zamontowany w miejscu, w którym zapewniona jest skuteczna wentylacja.
2. Należy regularnie czyścić okap kuchenny, aby zapewnić drożność kanałów powietrznych.
3. Należy pamiętać o wyłączeniu oświetlenia okapu kuchennego po zakończeniu gotowania.
4. Należy pamiętać o wyłączeniu okapu kuchennego po zakończeniu gotowania.

**C. Informacje dotyczące demontażu.**

Urządzenie nie może być demontowane przez użytkownika w sposób inny, niż przedstawiony w oryginalnej instrukcji obsługi.

Po zakończeniu okresu eksploatacji urządzenia nie należy wyrzucać go wraz z odpadami gospodarstwa domowego. Aby uzyskać informacje o możliwości recyklingu, należy skontaktować się z lokalnymi władzami, firmą zajmującą się utylizacją odpadów lub sprzedawcą, u którego został zakupiony produkt.

## Recykling i utylizacja



Zużyte produkty elektryczne (WEEE) nie powinny być utylizowane z odpadami domowymi.

Należy je przekazać do recyklingu w przeznaczonych do tego miejscach. Aby uzyskać informacje o możliwości recyklingu, należy skontaktować się z lokalnymi władzami, firmą zajmującą się utylizacją odpadów lub sprzedawcą, u którego został zakupiony produkt.

Symbol kosza na śmieci na produkcie lub jego opakowaniu informuje o tym, że urządzenie nie może zostać wyrzucone wraz z odpadami komunalnymi. Niniejszy produkt musi zostać przekazany do punktu zbiórki sprzętu elektrycznego i elektronicznego w celu recyklingu. Utylizując niniejszy produkt w odpowiedni sposób, użytkownik zapobiega negatywnym skutkom wpływającym na środowisko i zdrowie publiczne, które mogłyby zostać wywołane poprzez niewłaściwe obchodzenie się z urządzeniem.

## Gwarancja

Przykładamy szczególną wagę do tego, aby wybierać materiały wysokiej jakości i stosować techniki produkcyjne, które umożliwiają tworzenie wytrzymałych, a zarazem atrakcyjnych produktów. Ten produkt (Okap kuchenny) ma gwarancję producenta na 2 lat, która obejmuje wady produkcyjne, począwszy od daty zakupu (zakup w sklepie) lub dostawy (zakup przez Internet) bez dodatkowych kosztów w przypadku normalnego (nieprofesjonalnego lub niekomercyjnego) użytku domowego.

Aby dokonać zgłoszenia reklamacyjnego, należy przedstawić dowód zakupu (np. paragon, fakturę lub inny dowód na mocy obowiązujących przepisów prawa). Dowód zakupu należy przechowywać w bezpiecznym miejscu. Gwarancja obejmuje produkty nowe; nie obejmuje produktów używanych lub z ekspozycji. Produkt zamienny objęty niniejszą gwarancją będzie nią objęty aż do wygaśnięcia okresu obowiązywania gwarancji oryginalnego produktu, chyba że określono inaczej w obowiązujących przepisach prawa.

Niniejsza gwarancja obejmuje wady i uszkodzenia produktu, pod warunkiem że produkt był używany zgodnie z przeznaczeniem oraz zamontowany, czyszczony i konserwowany zgodnie z informacjami zawartymi powyżej oraz w instrukcji obsługi, a także ze standardowymi praktykami (jeśli te praktyki nie są sprzeczne z instrukcją użytkownika).

Niniejsza gwarancja nie obejmuje wad ani uszkodzeń wynikających z normalnego zużycia lub uszkodzeń będących skutkiem niewłaściwego używania, montażu lub złożenia, a także zaniedbania, wypadku i modyfikacji produktu. Gwarancja nie obejmuje w żadnym wypadku dodatkowych kosztów (transportu, przenoszenia, montażu i demontażu, robocizny itd.) ani strat bezpośrednich lub pośrednich, chyba że określono inaczej w obowiązujących przepisach prawa.

Jeśli produkt jest wadliwy, we właściwym czasie naprawimy.

Prawa wynikające z tej gwarancji obowiązują w kraju, w którym zakupiono produkt. Zapytania dotyczące gwarancji powinno się kierować do sklepu, w którym zakupiono produkt.

Niniejsza gwarancja jest dokumentem dodatkowym, który nie ma wpływu na ustawowe prawa konsumenta.

Jeśli produkt zakupiono w Polsce, niniejsza gwarancja nie wyklucza, nie ogranicza ani nie zawiesza uprawnień wynikających z przepisów prawa dotyczących gwarancji na wady zakupionego towaru.

## WAŻNE – NALEŻY ZACHOWAĆ TE INFORMACJE W CELU WYKORZYSTANIA W PRZYSZŁOŚCI: DOKŁADNIE PRZECZYTAĆ

### RO Înainte de a începe

Aceste instrucțiuni sunt pentru siguranța ta. Citește cu atenție următoarele instrucțiuni înainte de montarea și utilizarea aparatului.



**AVERTISMENT:**  
TOATE LUCRĂRILE DE MONTARE TREBUIE REALIZATE DE O PERSOANĂ CALIFICATĂ CORESPUNZĂTOR, RESPECTÂND CU STRICTEȚE REGLEMENTĂRILE LOCALE PRIVIND CONSTRUCȚIILE ȘI ACESTE ÎNSTRUCȚIUNI.

- Pentru a evita riscurile aferente utilizării unui echipament electric, este important ca această hotă să fie montată corect și să citești cu atenție instrucțiunile de siguranță, ca să eviți utilizarea greșită și pericolele. După ce despachetezi hota, verifică să nu fie deteriorată. Dacă ai îndoieli, nu folosi aparatul, ci contactează serviciul de Asistență clienți la 0800 895 099.
- Verifică ambalajul și asigură-te că ai toate piesele specificate, apoi stabilește locul adecvat pentru amplasarea produsului. Dacă acest produs conține sticlă, ai grijă la montare sau manipulare, pentru a preveni accidentarea sau deteriorarea produsului. Pe plăcuța cu specificații de pe aparat sunt afișate toate informațiile de identificare necesare pentru comandarea pieselor de schimb. Dacă vinzi, donezi sau lași aparatul montat când te muți, predă și acest manual noului proprietar, ca să se familiarizeze cu aparatul și cu avertismentele de siguranță.

## Siguranță



**AVERTISMENT:** EXISTĂ RISC DE ELECTROCUTARE ȘI INCENDIU ÎN CAZUL ÎN CARE CURĂȚAREA NU ESTE EFECTUATĂ CONFORM ACESTOR INSTRUCȚIUNI.



**AVERTISMENT:** DACĂ ESTE CAZUL, ACEST APARAT ESTE LIVRAT CU ELEMENTE DE FIXARE. ASIGURĂ-TE CĂ UTILIZEZI ELEMENTELE DE FIXARE CORECTE, ADECVATE PENTRU SUPORTUL PE CARE VA FI INSTALAT APARATUL, ȘI CĂ ACESTEĂ POT SUSȚINE GREUTATEA APARATULUI.



**AVERTISMENT:**  
FOLOSEȘTE NUMAI  
ELEMENTE DE  
FIXARE ȘI ȘURUBURI  
DE MONTARE CU  
DIMENSIUNILE  
RECOMANDATE ÎN  
ACEST MANUAL.  
NERESPECTAREA  
ACESTOR  
INSTRUCȚIUNI  
POATE CAUZA  
PERICOLE DE  
NATURĂ ELECTRICĂ.



**AVERTISMENT:**  
DECONECTEAZĂ  
APARATUL DE  
LA REȚEAUA DE  
ALIMENTARE  
ÎNAINTE DE  
A EFECTUA  
LUCRĂRILE DE  
ÎNTREȚINERE SAU  
DE CURĂȚARE.



**AVERTISMENT:**  
COMPONENTELE  
ACCESIBILE SE  
POT ÎNCINGE CÂND  
SUNT UTILIZATE  
CU APARATELE DE  
GĂTIT. COPIII CU  
VÂRSTA SUB 8 ANI

NU TREBUIE SĂ AIBĂ  
ACCES LA APARAT  
DECÂT DACĂ SUNT  
SUPRAVEGHEAȚI ÎN  
PERMANENȚĂ.



**AVERTISMENT:** NU  
FLAMBA ALIMENTE  
SUB HOTĂ. PENTRU  
A EVITA RISCUL DE  
INCENDIU, CURĂȚĂ  
SAU ÎNLOCUIEȘTE  
PERIODIC FILTRUL  
PENTRU GRĂSIME  
ȘI SUPRAVEGHEAZĂ  
CU ATENȚIE VASELE  
CARE CONȚIN ULEI  
FIERBINTE.



**AVERTISMENT:**  
TREBUIE INTEGRATE  
MĂSURI DE  
DECONECTARE  
COMPLETĂ ÎN  
CABLAJUL FIX, ÎN  
CONFORMITATE  
CU REGULILE DE  
CABLARE LOCALE  
APLICABILE ÎN  
ȚARA TA. ÎN  
ȚIMPUL INSTALĂRII,  
TREBUIE MONTAT  
UN DISJUNCTOR  
MULTIPOLAR CU O



SEPARARE ÎNTRE  
CONTACTE DE CEL  
PUȚIN 3 MM ÎNTRE  
TOȚI POLII.



**AVERTISMENT:**  
CÂND HOTA DE  
EVACUARE ESTE  
AMPLASATĂ  
DEASUPRA UNUI  
APARAT, DISTANȚA  
MINIMĂ DINTRE  
SUPRAFAȚA DE  
SPRIJIN PENTRU  
VASELE DE GĂTIT  
DE PE PLITĂ ȘI CEA  
MAI JOASĂ PĂRTE A  
HOTEI TREBUIE SĂ  
FIE:

- PLITE PE GAZ  
≥ 760 MM
- PLITE ELECTRICE  
≥ 650 MM



**AVERTISMENT:**  
ÎNAINTE DE A  
CONECTA HOTA,  
VERIFICĂ DACĂ  
TENSIUNEA ȘI  
FRECVENȚA  
CURENTULUI  
CORESPUND CU  
CELE INDICATE  
PE PLĂCUȚA DE

IDENTIFICARE. DACĂ  
APARATUL NU ESTE  
MONTAT CONFORM  
INSTRUCȚIUNILOR,  
ACEST LUCRU  
POATE REPREZENTA  
UN RISC PENTRU  
SIGURANȚĂ.  
DACĂ AI ÎNDOIELI,  
CERE SFATURI ÎN  
MAGAZIN SAU DE  
LA UN INSTALATOR  
CALIFICAT.



**AVERTISMENT:**  
CONSULTĂ  
REGLEMENTĂRILE  
LOCALE CU PRIVIRE  
LA IEȘIRILE DE  
EVACUARE ȘI  
RESPECTĂ-LE. NU  
CONECTA HOTA LA  
O TUBULATURĂ DE  
VENTILAȚIE SAU DE  
AER CALD CARE  
CONȚINE GAZE  
DE EVACUARE DE  
LA COMBUSTIBILI  
GAZOȘI SAU DE ALTĂ  
NATURĂ. ASIGURĂ-  
TE CĂ VENTILAREA  
ÎNCĂPERII  
CORESPUNDE

PREVEDERILOR  
IMPULSE DE  
AUTORITĂȚILE  
LOCALE.



**AVERTISMENT:** HOTA  
SE POATE OPRI  
DIN FUNCȚIONARE  
ÎN TIMPUL UNEI  
DESCĂRCĂRI  
ELECTROSTATICE  
(DE EX. FULGERE).  
ACEST LUCRU NU  
IMPLICĂ NICIUN RISC  
DE DETERIORARE.  
OPREȘTE  
ALIMENTAREA  
ELECTRICĂ A HOTEI  
ȘI RECONNECTEAZĂ  
DUPĂ UN MINUT.



**AVERTISMENT:**  
ACEST APARAT  
POATE FI FOLOSIT  
DE COPII CU VÂRSTA  
DE PESTE 8 ANI  
ȘI DE PERSOANE  
CU CAPACITĂȚI  
FIZICE, SENZORIALE  
SAU MINTALE  
REDUSE ORI FĂRĂ  
EXPERIENȚĂ ȘI  
CUNOȘTINȚE  
NUMAI SUB

SUPRAVEGHERE  
SAU DACĂ AU  
BENEFICIAT  
DE INSTRUIRE  
CU PRIVIRE LA  
UTILIZAREA  
APARATULUI ÎN  
SIGURANȚĂ ȘI  
DACĂ ÎNȚELEG  
PERICOLELE  
AFERENTE. NU LE  
PERMITE COPIILOR  
SĂ SE JOACE CU  
ACEST APARAT.  
CURĂȚAREA ȘI  
ÎNTREȚINEREA DE  
CĂTRE UTILIZATOR  
NU TREBUIE  
EFECTUATE  
DE COPII  
NESUPRAVEGHEAȚI.  
NU LĂSA APARATUL  
ȘI CABLUL DE  
ĂLIMENTARE LA  
ÎNDEMÂNA COPIILOR  
MAI MICI DE 8 ANI.

- Dacă se deteriorează, cablul de alimentare trebuie înlocuit de producător, de agentul de service sau de persoane cu un nivel de calificare similar, pentru a evita o situație periculoasă.

- Nu instala aparatul afară, în locuri umede sau în zone expuse scurgerilor de apă, ca de exemplu sub sau lângă o chiuvetă. În cazul unei scurgeri de apă care afectează aparatul, nu îl mai folosi și contactează serviciul de Asistență clienți pentru a programa o inspecție.
- Nu folosi sprayuri inflamabile în apropierea aparatului.
- Elimină ambalajul la deșeuri cu grijă. Există risc de incendiu când curățarea nu este realizată conform instrucțiunilor. Consultă cu atenție secțiunea Îngrijire și întreținere pentru detalii privind curățarea și înlocuirea filtrelor din aluminiu și carbon (dacă aparatul este prevăzut cu aceste filtre).
- Becurile cu LED din acest aparat nu pot fi înlocuite de client. Dacă se arde un bec, contactează linia de Asistență clienți specificată la finalul secțiunii Îngrijire și întreținere, pentru o vizită de verificare din partea unui inginer.
- Nu folosi un aparat de curățare cu aburi pentru îngrijire și întreținere.
- Aparatul nu este destinat folosirii printr-un temporizator extern sau un sistem de comandă de la distanță separat.
- Încăperea trebuie să dispună de ventilare corespunzătoare când hota este folosită concomitent cu aparate care utilizează combustibili gazoși sau alți combustibili. Asigură-te că presiunea negativă a instalației nu depășește 4 Pa (0,04 mbar) astfel încât gazele de evacuare să nu fie absorbite înapoi în încăperea.
- Nu folosi hota dacă apar semne de deteriorare sau imperfecțiuni. Contactează serviciul de Asistență clienți pentru ajutor.
- Producătorul nu își asumă răspunderea pentru leziunile corporale sau daunele materiale rezultate din utilizarea sau montarea incorectă a acestui aparat.
- Aparatul este destinat ca hotă de evacuare pentru uz casnic.

## Conectarea la alimentarea electrică

Instalarea trebuie realizată în totalitate de o persoană competentă sau de un electrician calificat. Înainte de conectarea la rețeaua electrică, asigură-te că tensiunea de alimentare a rețelei corespunde cu cea de pe plăcuța de identificare.

### Conexiune directă

Aparatul trebuie conectat direct la rețea cu un disjuncter omnipolar cu o deschidere minimă de 3 mm între contacte.

Instalatorul trebuie să se asigure că a realizat corect legăturile electrice și că a respectat schema electrică.

Cablul nu trebuie îndoit sau presat.

Verifică periodic ștecărul și cablul de alimentare pentru a depista deteriorările. Dacă se deteriorează, cablul de alimentare trebuie înlocuit cu un cablu special sau cu o instalație puse la dispoziție de producător sau de agentul său de service.




**AVERTISMENT: ACESTA ESTE UN APARAT DIN CLASA I ȘI TREBUIE ÎMPĂMÂNTAT.**

Acest aparat este echipat cu un cablu de alimentare cu 3 fire, colorate după cum urmează:

Maro = L sau Fază

Albastru = N sau Nul

Verde și galben = E sau Împământare 


**Aparatul trebuie conectat direct la tabloul de distribuție cu o siguranță automată cu protecție diferențială (RCD) de 3 A pentru protecția circuitului.**

Pentru a evita pericolele și riscurile utilizării greșite a unui echipament electric, este important ca acest aparat să fie montat corect și să citești cu atenție instrucțiunile de siguranță. Păstrează acest manual de instrucțiuni pentru consultare ulterioară și predă-l proprietarilor viitori. După despachetarea aparatului, verifică să nu fie deteriorat. Dacă ai îndoieli, nu folosi aparatul, ci contactează serviciul de Asistență clienți.

Producătorul nu își asumă răspunderea pentru leziunile corporale sau daunele materiale rezultate din utilizarea sau montarea incorectă a acestui aparat. Toate instalațiile electrice permanente trebuie să fie conforme cu cele mai recente reglementări de cablare aplicabile la nivel național, iar pentru siguranța ta instalarea electrică trebuie realizată de un electrician sau contractant calificat.

Aparatul este livrat din fabrică pentru utilizare cu tubulatură exterioară (neinclusă). Dacă dorești să folosești aparatul numai în modul de recirculare, montează filtrul din carbon corespunzător (neinclus).

## Date tehnice

Tensiune de alimentare	220-240 V~ 50 Hz
Consum de energie - ventilator	65 W
Consum de energie - Bec pentru gătit	2 x 2,5 W
Consum de energie - total	70 W
Clasă de protecție	I
Cod ILCOSD - Bec pentru gătit	DSR-2.5-S-68 

# Informații pentru UE nr. 66/2014 și nr. 65/2014

## A. Informații despre hotă (www.diy.com)

	Valoare
Nume furnizor	Kingfisher Int. Prod. B.V. Kingfisher Int. Prod. Ltd.
Identificare model	BH60SS
Consum anual de electricitate (hotă AEC) (kWh/an)	34,7
Clasa de eficiență energetică	C
Eficiența dinamică a fluidelor	12,2
Clasă de eficiență dinamică a fluidelor	E
Eficiența iluminatului (hotă LE) (lux/W)	32,0
Clasă de eficiență a iluminatului	A
Eficiența filtrului de grăsime (hotă GFE)	69,7
Clasa de eficiență a filtrului de grăsime (hotă GFE)	D
Flux minim de aer la punctul de lucru (la utilizare normală) (m3/h)	214,5
Flux maxim de aer la punctul de lucru (la utilizare normală) (m3/h)	318,5
Flux maxim de aer la cea mai înaltă setare (Qmax) (m3/h)	328,7
Flux maxim de aer la cea mai înaltă setare (Qmax) (m3/h) (cu Turbo)	-
Nivelul de putere acustică ponderată la setare minimă (LWA) (dB)	59
Nivelul de putere acustică ponderată la setare maximă (LWA) (dB)	64
Nivelul de putere acustică a funcției Turbo, dacă există (LWA) (dB)	-
Consum de energie măsurat în modul oprit (Po) (W)	0
Consum de energie măsurat în modul standby (Ps) (W)	-
Factor de creștere a duratei (f)	1,6
Indice de eficiență energetică (hotă EEI)	73,4
Debit de aer măsurat la punctul cu eficiența cea mai mare (QBEP) (m3/h)	191,9
Presiunea aerului măsurată la punctul cu eficiența cea mai mare (PBEP) (Pa)	122
Consum de putere electrică măsurat la punctul cu cea mai mare eficiență (WBEP) (W)	53,2
Putere nominală a sistemului de iluminat (WL) (W)	5
Intensitatea medie a sistemului de iluminat pe suprafața de gătit (E mijloc) (lux)	160

Metoda de măsurare și calcul folosită în tabelul de mai sus a fost realizată în conformitate cu Regulamentul delegat (UE) Nr. 65/2014 al Comisiei și cu Regulamentul (UE) Nr. 66/2014 al Comisiei.

## B. Următoarele instrucțiuni arată cum să reduci impactul general asupra mediului (de ex. consumul de energie) în timpul procesului de gătit.

1. Montează hota într-un loc adecvat, cu o ventilație eficientă.
2. Curăță periodic hota, astfel încât să nu se blocheze accesul aerului.
3. Nu uita să oprești lumina hotei după gătit.
4. Nu uita să oprești hota după gătit.

### C. Informații pentru demontare.

Acest aparat nu poate fi demontat de utilizator în alt fel decât cel indicat în instrucțiunile inițiale de montare din manualul de utilizare.

La sfârșitul duratei de viață utile, aparatul nu trebuie eliminat împreună cu gunoiul menajer. Consultă autoritățile locale, serviciile de eliminare a deșeurilor menajere sau distribuitorul de unde ai cumpărat aparatul pentru sfaturi privind reciclarea.

## Reciclare și eliminare



Produsele electrice uzate (DEEE) nu trebuie eliminate cu deșeurile menajere.

— Acolo unde există facilitățile necesare, reciclează. Consultă autoritățile locale, serviciile de eliminare a deșeurilor menajere sau distribuitorul de unde ai cumpărat aparatul pentru sfaturi privind reciclarea.

Simbolul tonerului cu roți, prezent pe produs sau pe ambalaj, arată că acest produs nu poate fi tratat ca deșeu menajer obișnuit. Acest produs trebuie predat la un punct de colectare a echipamentelor electrice și electronice, în vederea reciclării. Asigurându-te că acest produs este eliminat corespunzător, contribui la evitarea posibilelor consecințe negative pentru mediu și sănătatea publică, care ar putea apărea dacă produsul nu este gestionat corect.

## Garanție

Avem o grijă deosebită să selectăm materiale de înaltă calitate și să utilizăm tehnici de fabricare care ne permit să creăm produse care încorporează designul și durabilitatea. Acest produs (hotă în formă de T) beneficiază de garanție din partea producătorului de 2 ani pentru defectele de fabricație, de la data achiziției (dacă este cumpărat din magazin) sau de la data livrării (dacă este cumpărat online), fără niciun cost suplimentar pentru uz casnic normal (nu profesional sau comercial).

Pentru a efectua o solicitare în temeiul acestei garanții, trebuie să prezentați dovada achiziției (cum ar fi, chitanța de vânzare/bonul fiscal, factura de achiziție sau alte dovezi admisibile conform legii aplicabile); vă rugăm să păstrați dovada achiziției într-un loc sigur. Pentru ca această garanție să se aplice, produsul achiziționat trebuie să fie nou, garanția neaplicându-se pentru produse la mâna a doua sau produse de prezentare. Cu excepția cazului în care legislația aplicabilă prevede altfel, orice produs înlocuitor livrat în baza prezentei

garanții va beneficia de garanție doar până la expirarea perioadei inițiale de garanție.

Prezenta garanție acoperă defectiunile produsului și erorile de funcționare, cu condiția ca produsul să fi fost utilizat în scopul prevăzut și să fi fost instalat, curățat, îngrijit și întreținut în conformitate cu informațiile conținute în termenii și condițiile prezente, manualul de utilizare și practicile standard, cu condiția ca practicile standard să nu fie în contradicție cu manualul de utilizare.

Această garanție nu acoperă defectele și deteriorările provocate de uzura normală sau daunele care pot fi rezultatul utilizării necorespunzătoare, instalării sau asamblării defectuoase, neglijenței, accidentelor, utilizării greșite sau modificărilor aduse produsului. Cu excepția cazului în care legislația aplicabilă prevede altfel, prezenta garanție nu va acoperi, în niciun caz, costurile suplimentare (de expediere, deplasare, dezinstalare și reinstalare, manoperă etc.) sau daunele directe și indirecte.

Dacă produsul este defect, vom proceda, într-un timp rezonabil, la repararea.

Drepturile acoperite de această garanție sunt aplicabile în țara în care ați achiziționat produsul. Întrebările legate de garanție trebuie adresate magazinului de la care ați achiziționat produsul.

Garanția este suplimentară drepturilor dvs. legale și nu le afectează.

Dacă achiziționați acest produs din Turcia sau România, veți primi o garanție.

# IMPORTANT – PĂSTREAZĂ ACESTE INFORMAȚII PENTRU CONSULTARE ULTERIOARĂ: CITEȘTE CU ATENȚIE

# ES

## Antes de empezar

Estas instrucciones son para su propia seguridad. Lea las instrucciones detenidamente antes de proceder con la instalación y el uso de este aparato.



**ADVERTENCIA:**  
TODO EL TRABAJO  
DE INSTALACIÓN  
DEBE REALIZARLO  
UNA PERSONA  
DEBIDAMENTE  
CUALIFICADA  
QUE SIGA  
ESTRICTAMENTE  
LAS NORMATIVAS  
LOCALES DE  
CONSTRUCCIÓN  
Y ESTAS  
INSTRUCCIONES.

- Para evitar los riesgos siempre presentes al utilizar un aparato eléctrico, es importante instalar correctamente esta campana extractora y leer atentamente las instrucciones de seguridad para evitar el mal uso y las situaciones peligrosas. Después de desembalar la campana extractora, compruebe que

no está dañada. En caso de duda, no utilice el aparato y póngase en contacto con el servicio de atención al cliente 800 098 794 (España).

- Compruebe el paquete, asegúrese de que tiene todas las piezas indicadas y decida el lugar apropiado para instalarlo. Si este producto contiene cristal, tenga cuidado durante el montaje o la manipulación para evitar lesiones personales o daños en el producto. En la placa de especificaciones de este aparato se indica toda la información de identificación necesaria para realizar pedidos de piezas de recambio. Si vende, cede o deja instalado el aparato al mudarse de casa, asegúrese de entregar también este manual para que el nuevo propietario pueda familiarizarse con el aparato y las advertencias de seguridad.

## Seguridad



**ADVERTENCIA:**  
EXISTE RIESGO  
DE INCENDIO  
Y DESCARGA  
ELÉCTRICA SI  
NO SE REALIZA

LA LIMPIEZA  
DE ACUERDO  
CON ESTAS  
INSTRUCCIONES.



**ADVERTENCIA:**  
CUANDO  
CORRESPONDA,  
EL APARATO SE  
SUMINISTRA  
CON FIJACIONES.  
ASEGÚRESE  
DE USAR LAS  
FIJACIONES  
ADECUADAS PARA  
LA BASE DONDE  
VA A INSTALAR  
EL APARATO Y DE  
QUE SOPORTAN SU  
PESO.



**ADVERTENCIA:**  
UTILICE  
ÚNICAMENTE  
ACCESORIOS  
Y TORNILLOS  
DE MONTAJE  
DEL MISMO  
TAMAÑO QUE LOS  
RECOMENDADOS  
EN ESTE MANUAL  
DE INSTRUCCIONES.  
SI NO SE  
SIGUEN ESTAS

INSTRUCCIONES,  
PODRÍAN  
PRODUCIRSE  
RIESGOS  
ELÉCTRICOS.



**ADVERTENCIA:**  
DESENCHUFE EL  
APARATO DE LA  
RED ELÉCTRICA  
ANTES DE REALIZAR  
CUALQUIER  
TRABAJO DE  
MANTENIMIENTO O  
LIMPIEZA.



**ADVERTENCIA:**  
LAS PARTES AC-  
CESIBLES PUEDEN  
CALENTARSE CUAN-  
DO SE UTILIZAN CON  
ELECTRODOMÉSTI-  
COS DE COCINA.  
LOS NIÑOS MENO-  
RES DE 8 AÑOS  
DEBERÁN MANTEN-  
ERSE ALEJADOS, A  
MENOS QUE ESTÉN  
CONTINUAMENTE  
SUPERVISADOS,  
PARA EVITAR QUE  
TOQUEN EL  
APARATO.





**ADVERTENCIA:**  
NO FLAMEE  
DIRECTAMENTE  
DEBAJO DE LA  
CAMPANA. PARA  
EVITAR EL RIESGO  
DE INCENDIO, LIMPIE  
O SUSTITUYA EL  
FILTRO DE GRASA  
CON REGULARIDAD  
Y VIGILE LAS  
SARTENES QUE  
CONTIENEN ACEITE  
CALIENTE.



**ADVERTENCIA:**  
SE DEBEN  
INCORPORAR  
MEDIOS QUE  
PERMITAN LA  
DESCONEXIÓN  
COMPLETA DE  
LA INSTALACIÓN  
FIJA DE ACUERDO  
CON LAS NORMAS  
DE INSTALACIÓN  
ELÉCTRICA DE SU  
PAÍS. DURANTE LA  
INSTALACIÓN, SE  
DEBE CONECTAR  
UN INTERRUPTOR  
DE DESCONEJÓN  
OMNIPOLAR

QUE TENGA UNA  
SEPARACIÓN DE  
CONTACTO DE AL  
MENOS 3 MM EN  
TODOS LOS POLOS.



**ADVERTENCIA:**  
SI LA CAMPANA  
EXTRACTORA SE  
COLOCA ENCIMA  
DE UN APARATO,  
LA DISTANCIA  
MÍNIMA ENTRE LA  
SUPERFICIE DE  
APOYO DE LOS  
RECIPIENTES DE  
COCCIÓN SITUADOS  
EN LA PLACA Y LA  
PARTE MÁS BAJA DE  
LA CAMPANA DEBE  
SER LA SIGUIENTE:

- PLACAS DE GAS  
≥ 760 MM
- PLACAS  
ELÉCTRICAS  
≥ 650 MM



**ADVERTENCIA:**  
ANTES DE  
CONECTAR  
LA CAMPANA,  
COMPRUEBE QUE  
LA TENSIÓN DE  
SUMINISTRO Y

LA FRECUENCIA COINCIDEN CON LAS INDICADAS EN LA PLACA DE CARACTERÍSTICAS TÉCNICAS. SI EL DISPOSITIVO NO SE INSTALA CONFORME A LAS INSTRUCCIONES, PUEDEN PRODUCIRSE RIESGOS DE SEGURIDAD. EN CASO DE DUDA, CONSULTE A LA TIENDA O A UN INSTALADOR CUALIFICADO.



**ADVERTENCIA:** CONSULTE LA NORMATIVA LOCAL SOBRE LAS SALIDAS DE EXTRACCIÓN Y ASEGÚRESE DE CUMPLIRLA. NO CONECTE LA CAMPANA A UN CONDUCTO DE VENTILACIÓN O DE AIRE CALIENTE QUE CONTenga HUMOS

DE COMBUSTIÓN QUE PROVENGAN DE GAS U OTROS COMBUSTIBLES. CONFIRME CON LAS AUTORIDADES LOCALES QUE LA VENTILACIÓN DE LA SALA ES ADECUADA.



**ADVERTENCIA:** LA CAMPANA PUEDE DEJAR DE FUNCIONAR DURANTE UNA DESCARGA ELECTROSTÁTICA (P. EJ. UN RAYO). ESTO NO IMPLICA NINGÚN RIESGO DE DAÑOS. APAGUE EL SUMINISTRO ELÉCTRICO QUE VA A LA CAMPANA Y CONÉCTELO DESPUÉS DE UN MINUTO.



**ADVERTENCIA:** ESTE APARATO LO PUEDEN USAR NIÑOS A PARTIR DE 8 AÑOS Y PERSONAS CON

CAPACIDADES FÍSICAS, SENSORIALES O MENTALES REDUCIDAS, ASÍ COMO PERSONAS SIN EXPERIENCIA NI CONOCIMIENTOS, SI SE LES HA SUPERVISADO O INSTRUIDO ACERCA DEL USO DEL APARATO DE UNA FORMA SEGURA Y COMPRENDEN LOS RIESGOS QUE CONLLEVA. LOS NIÑOS NO DEBEN JUGAR CON EL APARATO. LOS NIÑOS NO PUEDEN REALIZAR LABORES DE LIMPIEZA NI DE MANTENIMIENTO DEL APARATO SIN ESTAR SUPERVISADOS. MANTENGA EL APARATO Y EL CABLE DE ALIMENTACIÓN FUERA DEL

## ALCANCE DE LOS NIÑOS MENORES DE 8 AÑOS.

- Si el cable de alimentación está dañado, debe sustituirlo el fabricante, su distribuidor local u otro personal cualificado para evitar riesgos.
- No instale el aparato al aire libre, en un lugar húmedo o en una superficie propensa a fugas de agua, como debajo de un fregadero o cerca de él. En caso de que el aparato se vea afectado por una fuga de agua, no lo utilice. Póngase en contacto con el servicio de atención al cliente para que le envíen un técnico.
- No utilice pulverizadores inflamables cerca del aparato.
- Deseche el material de embalaje adecuadamente. Existe riesgo de incendio si no se realiza la limpieza de acuerdo con estas instrucciones. Consulte la sección Cuidado y mantenimiento para obtener más información sobre cómo limpiar y sustituir los filtros de aluminio y carbono (si están instalados).

- El usuario no puede sustituir las bombillas LED de este aparato. Si una bombilla falla, póngase en contacto con el servicio de atención al cliente para organizar la visita de un técnico; encontrará los datos al final de la sección Cuidado y mantenimiento.
- No utilice un limpiador a vapor para el cuidado y mantenimiento.
- El aparato no está diseñado para funcionar con un programador externo ni un sistema de control remoto independiente.
- Debe haber una buena ventilación en la sala cuando se utilice la campana al mismo tiempo que otros aparatos que funcionen con gas u otros combustibles. Asegúrese de que la presión negativa del sitio de instalación no supera los 4 Pa (0,04 mbar) para garantizar que los gases de combustión no se reabsorban en la sala.
- No utilice la campana si muestra signos de daños o desperfectos. Póngase en contacto con el servicio de atención al cliente para obtener ayuda.
- El fabricante rechaza toda responsabilidad por los daños personales o materiales que resulten del uso inadecuado o de la instalación incorrecta de este aparato.
- Este aparato es solo para uso doméstico como campana extractora.

## Instalación eléctrica

Toda la instalación debe realizarla una persona con los debidos conocimientos o un electricista formado. Antes de conectar la corriente eléctrica, asegúrese de que la tensión de la red se corresponde con la indicada en la placa de especificaciones técnicas.

### Conexión directa

El aparato debe conectarse directamente a la red eléctrica mediante un disyuntor omnipolar con una separación mínima de 3 mm entre los contactos.

El instalador debe garantizar una conexión eléctrica correcta y que cumpla con el esquema de cableado.

El cable no debe doblarse ni comprimirse.

Compruebe periódicamente el enchufe y el cable de alimentación en busca de daños. Si el cable de alimentación está dañado, debe sustituirse por un cable o conjunto especial que se puede adquirir del fabricante o del distribuidor local.




**ADVERTENCIA:** ESTE ES UN APARATO DE CLASE I Y DEBE CONECTARSE A TIERRA.

Este aparato se suministra con un cable de alimentación de 3 hilos con los siguientes colores:

Marrón = L o fase

Azul = N o neutro

Verde y amarillo = E o tierra 


**Este aparato debe conectarse directamente a la unidad de consumo con un dispositivo de corriente residual (RCD) de 3 amperios a modo de protección del circuito.**

Para evitar los riesgos que existen cuando se utiliza un aparato eléctrico, es importante instalar correctamente el dispositivo y leer atentamente las instrucciones de seguridad para evitar un uso incorrecto y cualquier peligro. Conserve este manual de instrucciones para consultarlo en el futuro y entréguelo a cualquier propietario posterior. Después de desembalar el aparato, compruebe que no esté dañado. En caso de duda, no utilice el aparato y póngase en contacto con el servicio de atención al cliente.

El fabricante rechaza toda responsabilidad por las lesiones personales o daños materiales que resulten de la instalación inadecuada o incorrecta del aparato. Las instalaciones eléctricas permanentes deben cumplir con las últimas normas de instalación de su país y, para su propia seguridad, deberían realizarlas electricistas o contratistas cualificados.

El aparato se suministra de fábrica para utilizar conductos externos (no incluidos). Si desea utilizarlo solo en modo de recirculación, instale el filtro de carbono correcto (no incluido).

## Datos técnicos

Tensión de alimentación	220-240 V~ 50 Hz
Consumo eléctrico: ventilador	65 W
Consumo de energía: luz de cocina	2 x 2,5 W
Consumo eléctrico: total	70 W
Clase de protección	I
Código ILCOSD: luz de cocina	DSR-2.5-S-68 

## Información de la UE N.º 66/2014 y N.º 65/2014

### A. Información de la campana extractora ([www.diy.com](http://www.diy.com))

	Valor
Nombre del proveedor	Kingfisher Int. Prod. B.V. Kingfisher Int. Prod. Ltd.
Identificación del modelo	BH60SS
Consumo energético anual (campana AEC) (kWh/año)	34,7
Clase de eficiencia energética	C
Eficiencia fluidodinámica	12,2
Clase de eficiencia fluidodinámica	E
Eficiencia de la iluminación (campana LE) (lux/W)	32,0
Clase de eficiencia de la iluminación	A
Eficiencia del filtrado de grasa (campana GFE)	69,7
Clase de eficiencia del filtrado de grasa (campana GFE)	D

Flujo de aire mínimo en el punto de trabajo (con uso normal) (m3/h)	214,5
Flujo de aire máximo en el punto de trabajo (con uso normal) (m3/h)	318,5
Flujo de aire máximo con el ajuste más alto (Qmax) (m3/h)	328,7
Flujo de aire máximo con el ajuste más alto (Qmax) (m3/h) (con impulso)	-
Nivel de potencia acústica ponderado con el ajuste mínimo (LWA) (dB)	59
Nivel de potencia acústica ponderado con el ajuste máximo (LWA) (dB)	64
Nivel de potencia acústica de impulso (LWA) (dB)	-
Consumo eléctrico medido en modo apagado (Po) (W)	0
Consumo eléctrico medido en modo de espera (Ps) (W)	-
Factor de incremento temporal (f)	1,6
Índice de eficiencia energética (campana EEI)	73,4
Flujo de aire medido en el punto de máxima eficiencia (QBEP) (m3/h)	191,9
Presión de aire medida en el punto de máxima eficiencia (PBEP) (Pa)	122
Entrada de potencia eléctrica medida en el punto de máxima eficiencia (WBEP) (W)	53,2
Potencia nominal del sistema de iluminación (WL) (W)	5,0
Iluminancia media del sistema de iluminación en la superficie de cocción (E media) (lux)	160

El método de medición y cálculo de la tabla anterior se ha realizado de acuerdo con el reglamento delegado de la Comisión (UE) N.º 65/2014 y el reglamento de la Comisión (UE) N.º 66/2014.

**B. A continuación, se indica cómo reducir el impacto medioambiental total (p. ej. uso de energía) del proceso de cocción.**

1. Instale la campana extractora en un sitio adecuado donde haya ventilación eficiente.
2. Limpie la campana extractora con frecuencia para no obstruir los conductos de ventilación.
3. Apague la luz de la campana después de cocinar.
4. Apague la campana después de cocinar.

**C. Información para el desmontaje.**

Este aparato no lo puede desmontar el usuario, excepto lo que se muestra en el montaje original del manual del usuario.

Al final de su vida útil, el aparato no se debe desechar con la basura doméstica. Consulte con la autoridad gubernamental local, con los servicios de recogida de desechos domésticos o con el distribuidor que le vendió el producto para obtener información sobre su reciclaje.

## Reciclaje y eliminación



Los residuos procedentes de equipos eléctricos y electrónicos (RAEE) no deben desecharse con la basura doméstica.

Deben reciclarse donde existan instalaciones destinadas a tal fin. Consulte con la autoridad gubernamental local, con los servicios de recogida de desechos domésticos o con el distribuidor que le vendió el producto para obtener información sobre su reciclaje.

El símbolo de un cubo de basura con ruedas tachado en el producto o en su embalaje indica que no se puede tratar como basura doméstica normal. Este producto se debe depositar en un punto de reciclaje de aparatos eléctricos y electrónicos. Asegurarse de que este producto se desecha correctamente ayudará a evitar posibles consecuencias negativas para el medio ambiente y la salud pública que pueden ocurrir si no se recicla de forma adecuada.

## Garantía

Nos ocupamos especialmente en seleccionar materiales de alta calidad y usar técnicas de fabricación que nos permitan crear productos que aporten diseño y durabilidad. Este producto (Campana con forma de T) tiene una garantía del fabricante de 2 años frente a defectos de fabricación, a partir de la fecha de adquisición (si se adquiere en una tienda) o de entrega (si se adquiere por Internet), sin coste adicional para uso normal doméstico (ni profesional ni comercial).

Para presentar una reclamación en el marco de esta garantía, deberá presentar el comprobante de compra (como un recibo, factura de compra u otras pruebas admisibles en virtud de la ley aplicable); conserve su comprobante de compra en un lugar seguro. Para poder acogerse a esta garantía, el producto adquirido deberá ser nuevo; la garantía no se aplicará a productos de segunda mano o productos de exposición. A menos que la legislación vigente indique lo contrario, todo producto de sustitución entregado conforme a esta garantía estará cubierto solo hasta la fecha de vencimiento de la garantía original.

La presente garantía cubre los fallos y anomalías del producto siempre y cuando este se haya utilizado para los fines para los que está destinado y que su instalación, limpieza, cuidado y mantenimiento se hayan efectuado de conformidad tanto con la información descrita en estos términos y condiciones y en el manual del usuario, como con la práctica habitual, siempre y cuando esta no entre en conflicto con el contenido del manual de usuario.

Esta garantía no cubre defectos ni daños causados por el desgaste normal, ni daños que pudiesen ser resultado de usos indebidos, instalaciones o montajes deficientes, negligencia, accidente, uso indebido o modificación del producto. A menos que se indique lo contrario en la ley aplicable, esta garantía no cubre, bajo ningún concepto, los gastos accesorios (transporte, movimiento, costes de desinstalación y reinstalación, mano de obra, etc.) ni los daños directos o indirectos.

Si el producto es defectuoso, procederemos, en un plazo razonable, a su reparación.

Los derechos en virtud de esta garantía tendrán vigencia en el país donde haya adquirido el producto. Las consultas relacionadas con la garantía deberán dirigirse a la tienda en la que adquirió el producto. La garantía es complementaria y no afecta a sus derechos legales.

Si adquirió este producto en España, el distribuidor será responsable de las faltas de conformidad del producto según las disposiciones establecidas en los artículos 114 a 124 del Real Decreto Legislativo 1/2007, con fecha del 16 de noviembre, por el que se aprueba el texto refundido de la Ley General para la Defensa de los Consumidores y Usuarios y otras leyes complementarias.

**IMPORTANTE:  
GUARDE ESTA  
INFORMACIÓN  
PARA FUTURAS  
CONSULTAS. LÉALA  
ATENTAMENTE**

**PT**

## **Antes de começar**

Estas instruções são para sua segurança. Leia as seguintes instruções cuidadosamente antes de avançar com a instalação e a utilização deste aparelho.



**AVISO: TODO O TRABALHO DE INSTALAÇÃO TEM DE SER EFETUADO POR UMA PESSOA DEVIDAMENTE QUALIFICADA, SEGUINDO RIGOROSAMENTE OS REGULAMENTOS LOCAIS DE CONSTRUÇÃO E ESTAS INSTRUÇÕES.**

- Para evitar os riscos que estão sempre presentes quando utiliza um aparelho elétrico, é importante que este exaustor esteja instalado corretamente e que leia as instruções de segurança cuidadosamente para evitar usos indevidos e perigos. Depois de desembalar o exaustor, verifique se não está danificado. Em caso de dúvida, não utilize o aparelho. Entre em contacto com o serviço de atendimento ao

cliente através do número 800 814 566.

- Verificar a embalagem, confirme se tem todas as peças listadas e decida qual a localização adequada para o seu produto. Se este produto tiver vidro, tenha cuidado durante a instalação ou utilização para evitar ferimentos pessoais ou danos no produto. Esta placa de especificações, exibida neste aparelho, apresenta todas as informações de identificação necessárias para encomendar peças de substituição. Se vender o aparelho, o oferecer ou deixar ao próximo morador quando mudar de casa, certifique-se de que entrega este manual, para que o novo proprietário se possa familiarizar com o aparelho e o respetivo aviso de segurança.

## **Segurança**



**AVISO: EXISTE UM RISCO DE CHOQUE ELÉTRICO E INCÊNDIO SE A LIMPEZA NÃO FOR EFETUADA DE ACORDO COM ESTAS INSTRUÇÕES.**





**AVISO:** QUANDO APLICÁVEL, ESTE APARELHO É FORNECIDO COM FIXAÇÕES. CERTIFIQUE-SE DE QUE UTILIZA AS FIXAÇÕES CORRETAS ADEQUADAS AO MATERIAL ONDE O APARELHO SERÁ INSTALADO E QUE ESTAS SÃO CAPAZES DE SUPORTAR O PESO DO APARELHO.



**AVISO:** UTILIZE APENAS SUPORTES E PARAFUSOS DE FIXAÇÃO COM O TAMANHO RECOMENDADO NESTE MANUAL DE INSTRUÇÕES. O INCUMPRIMENTO DESTAS INSTRUÇÕES PODE RESULTAR EM PERIGOS ELÉTRICOS.



**AVISO:** DESLIGUE O APARELHO DA FONTE DE ALIMENTAÇÃO ANTES DE EFETUAR QUALQUER TRABALHO DE MANUTENÇÃO OU LIMPEZA.



**AVISO:** AS PEÇAS ACESSÍVEIS PODEM FICAR MUITO QUENTES QUANDO UTILIZADAS COM APARELHOS DE COZINHA. MANTER LONGE DO ALCANCE DE CRIANÇAS MENORES DE 8 ANOS, A NÃO SER QUE ESTAS SEJAM CONTINUAMENTE VIGIADAS. TENHA CUIDADO PARA EVITAR TOCAR NO APARELHO.



**AVISO:** NÃO FLAMBAR SOB O EXAUSTOR. PARA EVITAR O RISCO DE INCÊNDIO, LIMPE OU SUBSTITUA O FILTRO

DE GORDURAS  
REGULARMENTE  
E MONITORIZA  
DE PERTO OS  
RECIPIENTES QUE  
CONTENHAM ÓLEO  
QUENTE.



**AVISO:** A CABLAGEM  
FIXA DEVE TER  
INCORPORADOS  
MEIOS PARA  
A DESLIGAR  
COMPLETAMENTE,  
DE ACORDO COM  
AS REGRAS LOCAIS  
DE INSTALAÇÃO DE  
CABLAGENS PARA O  
SEU PAÍS. DURANTE  
A INSTALAÇÃO,  
DEVE SER LIGADO  
UM INTERRUPTOR  
DE DESATIVAÇÃO  
DE TODOS OS  
POLOS COM UMA  
SEPARAÇÃO MÍNIMA  
ENTRE CONTACTOS  
DE 3 MM EM TODOS  
OS POLOS.



**AVISO:** CASO  
O EXAUSTOR  
SE ENCONTRE  
POR CIMA DE  
UM APARELHO,  
A DISTÂNCIA  
MÍNIMA ENTRE  
A SUPERFÍCIE  
DE APOIO PARA  
OS RECIPIENTES  
DE COZINHA NA  
PLACA E A PARTE  
MAIS BAIXA DO  
EXAUSTOR DEVE  
SER:

- PLACAS A GÁS  
≥ 760 MM
- PLACAS ELÉTRICAS  
≥ 650 MM



**AVISO:** ANTES DE  
LIGAR O EXAUSTOR,  
VERIFIQUE SE A  
TENSÃO FORNECIDA  
E A FREQUÊNCIA  
CORRESPONDEM À  
INDICADA NA PLACA  
DE CLASSIFICAÇÃO  
DO APARELHO. A  
NÃO INSTALAÇÃO  
DESTE APARELHO  
DE ACORDO COM  
ESTAS INSTRUÇÕES

PODERÁ RESULTAR EM RISCOS DE SEGURANÇA. EM CASO DE DÚVIDA, PEÇA ACONSELHAMENTO NUMA LOJA OU A UM TÉCNICO DE INSTALAÇÃO QUALIFICADO.



**AVISO:** CONSULTE OS REGULAMENTOS LOCAIS RELATIVOS A SAÍDAS DE EXTRAÇÃO E CERTIFIQUE-SE DE QUE ESTES SÃO RESPEITADOS. NÃO LIGUE O EXAUSTOR A UMA CONDUTA DE VENTILAÇÃO OU AR QUENTE QUE CONTENHA GASES DE COMBUSTÃO PROVENIENTES DE GÁS OU OUTROS COMBUSTÍVEIS. CONFIRME, COM AS AUTORIDADES LOCAIS, SE A VENTILAÇÃO

DO ESPAÇO É ADEQUADA.



**AVISO:** O EXAUSTOR PODE PARAR DE FUNCIONAR DURANTE UMA DESCARGA ELETROSTÁTICA (POR EXEMPLO, RELÂMPAGOS). TAL NÃO IMPLICA QUALQUER RISCO DE DANOS. DESLIGUE A ALIMENTAÇÃO ELÉTRICA DO EXAUSTOR E VOLTE A LIGAR PASSADO UM MINUTO.



**AVISO:** ESTE APARELHO PODE SER UTILIZADO POR CRIANÇAS COM IDADE IGUAL OU SUPERIOR A 8 ANOS E POR PESSOAS COM CAPACIDADES FÍSICAS, SENSORIAIS OU MENTAIS REDUZIDAS, OU COM FALTA DE

EXPERIÊNCIA E CONHECIMENTO, CASO LHES SEJA DISPONIBILIZADA SUPERVISÃO OU INSTRUÇÕES RELATIVAS À UTILIZAÇÃO SEGURA DO APARELHO E SE TIVEREM SIDO ALERTADAS PARA OS PERIGOS ENVOLVIDOS. AS CRIANÇAS NÃO DEVEM BRINCAR COM O APARELHO. A LIMPEZA E A MANUTENÇÃO POR PARTE DO UTILIZADOR NÃO PODEM SER EFETUADAS POR CRIANÇAS SEM SUPERVISÃO. MANTENHA O APARELHO E O FIO DE ALIMENTAÇÃO FORA DO ALCANCE DE CRIANÇAS COM MENOS DE 8 ANOS DE IDADE.

- Se o cabo de alimentação estiver danificado, este tem de ser substituído pelo fabricante, o seu fornecedor de serviços ou por uma pessoa qualificada de modo a evitar perigos de segurança.
- Não instale o equipamento no exterior, numa zona húmida ou numa área propícia a fugas de água, tal como por baixo ou perto de uma unidade de lava-louças. No caso de haver uma infiltração de água que afete o aparelho, não o utilize e entre em contacto com o serviço de atendimento ao cliente para agendar uma inspeção.
- Não utilize sprays inflamáveis nas proximidades do aparelho.
- Descarte o material da embalagem cuidadosamente. Existe um risco de incêndio caso a limpeza não seja efetuada de acordo com as instruções. Consulte cuidadosamente as secções de Cuidados e manutenção para obter informações detalhadas sobre como limpar e substituir os filtros de alumínio e de carbono (caso estejam equipados).

- As lâmpadas LED deste aparelho não são substituíveis pelo consumidor. Se uma lâmpada falhar, contacte a linha de atendimento ao cliente que se encontra na parte final da secção de Cuidados e Manutenção para organizar a visita de um engenheiro.
- Não utilize um dispositivo de limpeza a vapor para os cuidados e manutenção.
- O aparelho não se destina a ser operado por meio de um temporizador externo ou sistema de controlo remoto em separado.
- O espaço deve ser ventilado quando o exaustor for utilizado ao mesmo tempo que aparelhos que queimem gás ou outros combustíveis. Certifique-se de que a pressão negativa do local de instalação não ultrapassa os 4 Pa (0,04 mbar) para garantir que os gases de combustão não são extraídos novamente para o espaço.
- Não utilize o exaustor caso este apresente sinais de danos ou imperfeições. Entre em contato com os serviços de atendimento ao cliente para obter assistência.
- O fabricante está isento de qualquer responsabilidade por danos pessoais ou materiais resultantes da utilização indevida ou instalação incorreta deste aparelho.
- O aparelho destina-se apenas a uso doméstico como exaustor.

## Instalação elétrica

A instalação tem de ser efetuada por uma pessoa competente ou por um eletricista qualificado. Antes de ligar à rede elétrica, certifique-se de que a tensão da rede corresponde à tensão na placa de classificação.

### Ligação direta

O aparelho tem de ser ligado diretamente à rede elétrica através de um disjuntor onipolar com uma abertura mínima de 3 mm entre os contactos.

O responsável pela instalação tem de garantir que foi realizada a ligação elétrica correta e que esta está em conformidade com o diagrama da cablagem.

O cabo não pode ser dobrado nem comprimido.

Verifique regularmente se existem danos na tomada e no cabo elétrico. Se o cabo de alimentação estiver danificado, este tem de ser substituído por um conjunto ou cabo especial, disponíveis junto do fabricante ou do respetivo fornecedor de serviços.



**AVISO: ESTE É UM APARELHO DE CLASSE I E TEM DE ESTAR LIGADO À TERRA**

Este aparelho é fornecido com um cabo de alimentação de 3 núcleos, colorido da seguinte forma:

Castanho = L ou fase

Azul = N ou neutro

Verde e amarelo = E ou terra ⊕

**Este aparelho deve ser ligado diretamente ao contador elétrico com um disjuntor diferencial residual (DDR) de 3 A que proteja o circuito.**


Para evitar os riscos que estão sempre presentes quando utiliza um aparelho elétrico, é importante que este aparelho esteja instalado corretamente e que leia as instruções de segurança cuidadosamente para evitar utilizações indevidas e perigos. Guarde este manual de instruções para consulta futura e entregue-o a futuros proprietários. Depois de desembalar o aparelho, verifique se não está danificado. Em caso de dúvida, não use o aparelho e entre em contacto com o serviço de atendimento ao cliente.

O fabricante está isento de qualquer responsabilidade por danos pessoais ou materiais resultantes de uma instalação incorreta ou inadequada do aparelho. Qualquer instalação elétrica permanente tem de estar em conformidade com a mais recente regulamentação aplicável a cablagem para o seu país e, para a sua própria segurança, a instalação elétrica deve ser efetuada por um eletricista qualificado ou um empreiteiro.

O aparelho é fornecido de fábrica para utilizar uma conduta externa (não fornecida). Caso o pretenda utilizar apenas em modo de recirculação, instale o filtro de carbono adequado (não fornecido).

## Dados técnicos

Tensão elétrica	220-240 V~ 50 Hz
Consumo de energia - Ventoinha	65 W
Consumo de energia - Iluminação do fogão	2 x 2,5 W
Consumo de energia - Total	70 W
Classe de proteção	I
Código ILCOS - Iluminação do fogão	DSR-2.5-S-68



## Informações para a UE n.º 66/2014 e n.º 65/2014

### A. Informações sobre o exaustor ([www.diy.com](http://www.diy.com))

	Valor
Nome do fornecedor	Kingfisher Int. Prod. B.V. Kingfisher Int. Prod. Ltd.
Identificação do modelo	BH60SS
Consumo energético anual (CEA do exaustor) (kWh/ano)	34,7
Classe de eficiência energética	C
Eficiência dinâmica de fluidos	12,2
Classe de eficiência dinâmica de fluidos	E
Eficiência de iluminação (LE exaustor) (lux/W)	32,0
Classe de eficiência de iluminação	A
Eficiência de filtração de gordura (GFE exaustor)	69,7
Classe de eficiência de filtração de gordura (GFE exaustor)	D

Fluxo de ar mínimo no ponto de funcionamento (em utilização normal) (m <sup>3</sup> /h)	214,5
Fluxo de ar máximo no ponto de funcionamento (em utilização normal) (m <sup>3</sup> /h)	318,5
Fluxo de ar máximo na definição máxima (Q <sub>max</sub> ) (m <sup>3</sup> /h)	328,7
Fluxo de ar máximo na definição máxima (Q <sub>max</sub> ) (m <sup>3</sup> /h) (com reforço)	-
Nível de potência sonora ponderada na definição mínima (LWA) (db)	59
Nível de potência sonora ponderada na definição máxima (LWA) (db)	64
Nível de potência sonora do reforço, se existir (LWA) (dB)	-
Consumo de energia medido em modo desligado (P <sub>o</sub> ) (W)	0
Consumo de energia medido em modo de espera (P <sub>s</sub> ) (W)	-
Fator de aumento de tempo (f)	1,6
Índice de eficiência energética (EEI exaustor)	73,4
Taxa de fluxo de ar medida no ponto de melhor eficiência (QBEP) (m <sup>3</sup> /h)	191,9
Pressão do ar medida no ponto de melhor eficiência (PBEP) (Pa)	122
Entrada de energia elétrica medida no ponto de melhor eficiência (WBEP) (W)	53,2
Potência nominal do sistema de iluminação (WL) (W)	5,0
Iluminação média do sistema de iluminação sobre a superfície de cozedura (E média) (lux)	160

A medição e o método de cálculo da tabela acima foram feitos em conformidade com os regulamentos delegados da Comissão (UE) n.º 65/2014 e regulamentos (UE) n.º 66/2014.

**B. A parte seguinte exemplifica como se pode reduzir o impacto ambiental total (por exemplo, utilização de energia) do processo de cozedura.**

1. Instale o exaustor num local adequado onde exista uma ventilação eficiente.
2. Limpe o exaustor regularmente para não bloquear a passagem de ar.
3. Não se esqueça de desligar a luz do exaustor depois de cozinhar.
4. Não se esqueça de desligar o exaustor depois de cozinhar.

**C. Informações para desmontagem.**

Este aparelho não pode ser desmontado pelo utilizador de uma forma diferente da que está exemplificada na montagem original do manual do utilizador.

No final da sua vida útil, o aparelho não deve ser eliminado juntamente com o lixo doméstico. Consulte o seu representante local de autoridade governamental, serviços de eliminação de resíduos domésticos ou o revendedor onde o produto foi comprado para obter aconselhamento sobre reciclagem.

## Reciclagem e eliminação



Os resíduos de produtos elétricos (REEE) não devem ser eliminados com resíduos domésticos.

Recicle nas instalações adequadas, sempre que existentes. Consulte o seu representante local de autoridade governamental, serviços de eliminação de resíduos domésticos ou o revendedor onde o produto foi comprado para obter aconselhamento sobre reciclagem.

O símbolo do caixote do lixo com uma cruz por cima, impresso na embalagem, indica que este produto não pode ser eliminado com o lixo doméstico. Este produto deve ser entregue a um ponto de recolha de equipamento elétrico e eletrónico para reciclagem. Ao garantir que este produto é eliminado corretamente, está a ajudar a evitar potenciais consequências negativas para o ambiente e saúde pública, que poderiam ocorrer caso este produto não fosse tratado devidamente.

## Garantia

Empenhamo-nos especialmente na seleção cuidada de materiais de elevada qualidade e utilizamos técnicas de fabrico que nos permitem criar produtos que incorporam design e durabilidade. Este produto (exaustor em forma de T) tem uma garantia do fabricante de 2 anos contra defeitos de fabrico, a partir da data de compra (se comprado na loja) ou data de entrega (se comprado online), sem custo adicional para uso doméstico normal (não profissional ou comercial)

Para apresentar uma reclamação ao abrigo desta garantia, é necessário apresentar a prova de compra (tal como um recibo, uma fatura de compra ou outra prova admissível em conformidade com a lei em vigor). Mantenha o comprovativo de compra num lugar seguro. Para esta garantia se aplicar, o produto comprado tem de ser novo; não se aplica a produtos em segunda mão ou a produtos de exibição. Salvo disposição em contrário na lei em vigor, a garantia de qualquer produto de substituição expira no final do período da garantia do produto original.

Esta garantia cobre defeitos e falhas de produto, desde que o produto tenha sido utilizado para o fim a que se destina e tenha sido sujeito à instalação, limpeza, manutenção e a cuidados de acordo com as informações contidas nestes termos e condições, no manual do utilizador e na prática padrão, desde que a mesma não contrarie o manual de utilizador.

Esta garantia não cobre defeitos e danos causados pelo desgaste normal, nem danos que possam resultar de utilização indevida, instalação ou montagem incorreta, negligência, acidentes, utilizações indevidas ou modificações do produto. Salvo disposição em contrário na lei em vigor, esta garantia não abrange, em caso algum, custos auxiliares (expedição, deslocação, custos de desinstalação e reinstalação, mão-de-obra, etc), ou danos diretos e indiretos.

Se o produto apresentar algum defeito, iremos, dentro de um prazo razoável, reparar.

Os direitos no âmbito desta garantia têm força executiva no país onde adquiriu este produto. As questões relativas à garantia devem ser esclarecidas na loja onde adquiriu o produto. A garantia complementa e não afeta os seus direitos legais.

Se adquiriu este produto em Portugal - o distribuidor é responsável por quaisquer defeitos de conformidade do produto de acordo com os termos da lei relativa a garantias (Decreto-Lei N.º 67/2003), aditada pelo Decreto-Lei N.º 84/2008.

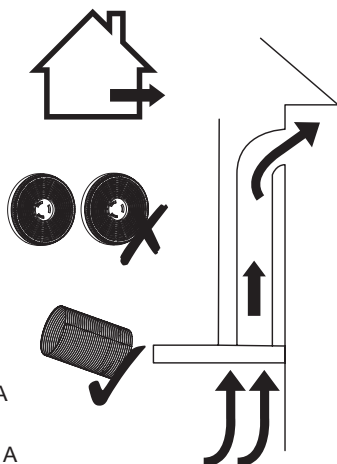
# IMPORTANTE – GUARDE ESTAS INFORMAÇÕES PARA CONSULTA FUTURA: LEIA ATENTAMENTE



# 01

**A**

  
VENT PACK  
( Ø 150mm)

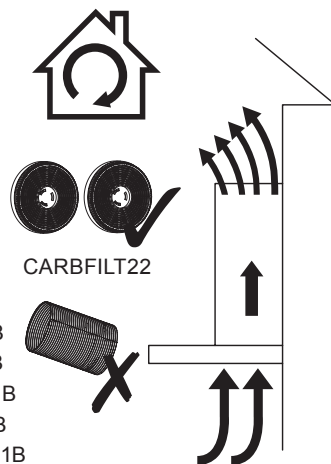


EN See 09A-11A  
FR Voir 09A-11A  
PL Patrz 09A-11A  
RO Vezi 09A-11A  
ES Véase 09A-11A  
PT Consultar 09A-11A

EN VENT PACK ( Ø 150mm)  
FR KIT D'ÉVACUATION (Ø 150mm)  
PL ZESTAW PRZYŁĄCZENIOWY (Ø 150 mm)  
RO SET DE EVACUARE (Ø 150 mm)  
ES PACK DE VENTILACIÓN (Ø 150 mm)  
PT CONJUNTO DE VENTILAÇÃO (Ø 150 mm)

**B**

  
CARBFILT22



EN See 09B-11B  
FR Voir 09B-11B  
PL Patrz 09B-11B  
RO Vezi 09B-11B  
ES Véase 09B-11B  
PT Consultar 09B-11B

**EN** Choose a type of installation: Ducted option A (extraction to the outside) or Recirculation option B (no extraction to the outside). This appliance is for installation on a wall only.

**FR** Choisir un type d'installation : mode d'évacuation A (évacuation vers l'extérieur) ou mode de recyclage B (pas d'évacuation vers l'extérieur). Cet appareil est uniquement conçu pour une installation murale.

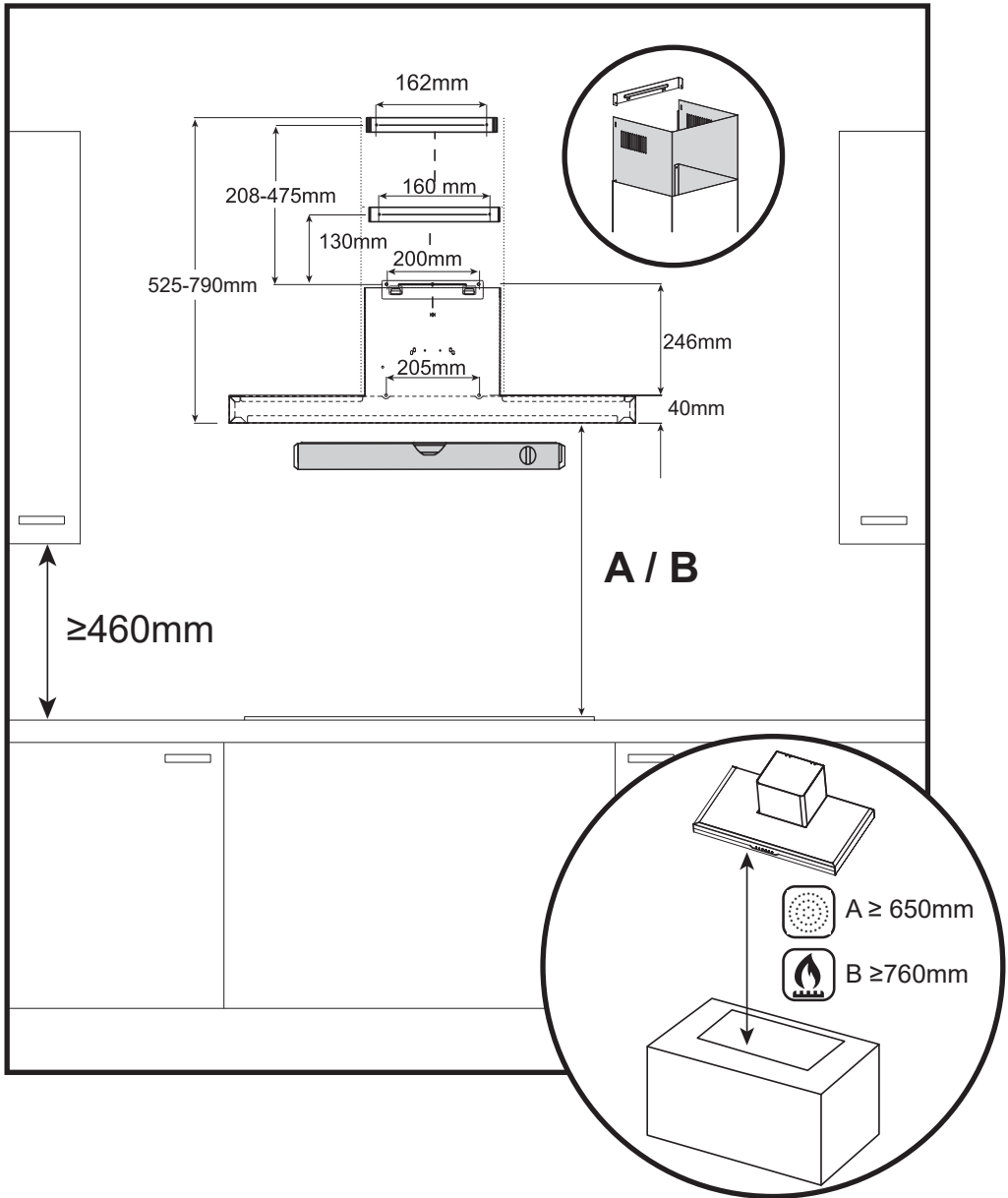
**PL** Wybrać typ montażu: opcja A z podłączeniem do kanału odprowadzającego (odprowadzenie na zewnątrz) lub opcja B z obiegiem zamkniętym (brak odprowadzenia na zewnątrz). Urządzenie jest przeznaczone wyłącznie do montażu naściennego.

**RO** Alege un tip de instalare: Opțiunea cu tubulatură A (evacuare în exterior) sau opțiunea cu recirculare B (fără evacuare în exterior). Acest aparat se poate monta numai pe un perete.

**ES** Elija un tipo de instalación: Opción A, conducto (extracción al exterior), u opción B, recirculación (sin extracción al exterior). Este aparato solo puede instalarse en una pared.

**PT** Escolha um tipo de instalação: Opção A entubada (extração para o exterior) ou opção B de recirculação (sem extração para o exterior). Este aparelho destina-se exclusivamente a ser instalado numa parede.

# 02



**EN** Mark the wall with the hole positions as shown in the diagram. The fixings supplied are suitable for solid walls only. When fixing to any other type of wall use suitable alternative fixings.

**WARNING:** Caution! Before drilling it is extremely important to check the wall for hidden pipes and electrical cables using an appropriate detection device. Ensure that all safety distances to flammable materials are followed as shown above.

Drill the holes, insert the wall plugs in all 9 holes. Insert the screws in the holes in the second row from the bottom. The maximum gap between row three and row four from the bottom should be between 78-345mm, dependent upon the ceiling height.

**WARNING:** Use only the same size of fittings and mounting screws as recommended in this instruction manual. Failure to follow these instructions may result in electrical hazards.

**WARNING:** Please follow the Safety and Electrical Installation sections at the start of this manual before connecting this appliance to the mains supply!

**FR** Marquer l'emplacement des trous au mur comme indiqué sur le schéma. Les fixations fournies conviennent à des murs pleins uniquement. Pour une fixation sur tout autre type de mur, utiliser d'autres fixations adaptées.

**AVERTISSEMENT :** Attention ! Avant de percer, il est extrêmement important de s'assurer qu'aucun tuyau ou câble électrique n'est dissimulé dans le mur. Pour ce faire, utiliser un appareil de détection approprié. S'assurer que toutes les distances de sécurité par rapport aux matériaux inflammables sont respectées, comme indiqué ci-dessus.

Percer les trous, insérer les chevilles murales dans les 9 trous. Insérer les vis dans les trous de la deuxième rangée à partir du bas. L'écart maximal entre la troisième et la quatrième rangée à partir du bas doit être compris entre 78 et 345mm, selon la hauteur du plafond.

**AVERTISSEMENT :** Utiliser uniquement des raccords et des vis de fixation aux dimensions recommandées dans cette notice. Le non-respect des présentes instructions peut entraîner un danger électrique.

**AVERTISSEMENT :** Respecter les sections Sécurité et Installation électrique au début de ce manuel avant de brancher cet appareil sur le secteur !

**PL** Zaznaczyć na ścianie położenie otworów, jak pokazano na rysunku. Dołączone mocowania są przeznaczone wyłącznie do ścian litych. W przypadku mocowania do ściany innego typu należy użyć odpowiednio dobranych mocowań.

**OSTRZEŻENIE:** Uwaga! Przed przystąpieniem do wiercenia należy sprawdzić za pomocą odpowiedniego urządzenia wykrywającego, czy w ścianie nie ma ukrytych rur ani przewodów elektrycznych. Upewnić się, że zachowano bezpieczne odległości od materiałów łatwopalnych, jak pokazano powyżej.

Wywiercić 9 otworów i umieścić we wszystkich kołki rozporowe. Umieścić wkręty w otworach znajdujących się w drugim rzędzie od dołu. Maksymalny odstęp między trzecim a czwartym rzędem od dołu powinien wynosić od 78 do 345 mm, w zależności od wysokości sufitu.

**OSTRZEŻENIE:** Używać wyłącznie mocowań i wkrętów mocujących o rozmiarach podanych w niniejszej instrukcji obsługi. Nieprzestrzeganie niniejszych instrukcji może spowodować zagrożenie elektryczne.

**OSTRZEŻENIE:** Przed podłączeniem urządzenia do zasilania sieciowego należy zapoznać się z rozdziałami dotyczącymi bezpieczeństwa i instalacji elektrycznej na początku niniejszej instrukcji.

**RO** Marchează pozițiile găurilor pe perete, conform schiței. Elementele de fixare furnizate sunt adecvate numai pentru pereți solizi. La montarea pe orice alt tip de perete, folosește dibluri alternative adecvate.

**AVERTISMENT:** Atenție! Înainte de a face găuri este extrem de important să se verifice peretele pentru a depista țevi și cabluri electrice ascunse folosind un dispozitiv de detectare adecvat. Asigură-te că sunt respectate distanțele de siguranță față de materialele inflamabile, după cum se arată mai sus.

Fă găurile și introdu diblurile în toate cele 9 găuri. Introdu șuruburile în găurile din al doilea rând de jos. Distanța maximă între rândurile trei și patru de jos trebuie să fie de 78-345 mm, în funcție de înălțimea tavanului.

**AVERTISMENT:** Folosește numai elemente de fixare și șuruburi de montare cu dimensiunile recomandate în acest manual. Nerespectarea acestor instrucțiuni poate cauza pericole de natură electrică.

**AVERTISMENT:** Urmează instrucțiunile din secțiunile Siguranță și Instalația electrică de la începutul acestui manual înainte de a conecta aparatul la alimentarea electrică!

**ES** Marque la posición de los orificios en la pared como se muestra en el diagrama. Las fijaciones suministradas son adecuadas solo para paredes macizas. Si va a instalar el aparato en cualquier otro tipo de pared, use las fijaciones alternativas adecuadas.

**ADVERTENCIA:** Precaución. Antes de realizar perforaciones, es extremadamente importante comprobar que no haya tuberías ni cables eléctricos ocultos en la pared mediante un dispositivo de detección adecuado. Asegúrese de que se respetan todas las distancias de seguridad con respecto a los materiales inflamables, tal y como se indica anteriormente.

Taladre los orificios e inserte los tacos en los 9 orificios. Inserte los tornillos en los orificios de la segunda fila desde la parte inferior. La separación máxima entre la tercera y la cuarta fila desde la parte inferior debe ser de entre 78 y 345 mm, dependiendo de la altura del techo.

**ADVERTENCIA:** Utilice únicamente accesorios y tornillos de montaje del mismo tamaño que los recomendados en este manual de instrucciones. Si no se siguen estas instrucciones, podrán producirse riesgos eléctricos.

**ADVERTENCIA:** Antes de conectar este aparato a la red eléctrica, siga los apartados de seguridad e instalación eléctrica que aparecen al principio de este manual.

**PT** Marque a parede com as posições dos orifícios, conforme ilustrado no diagrama. As fixações fornecidas só são adequadas para paredes sólidas. Se efetuar a fixação em qualquer outro tipo de parede, utilize fixações alternativas adequadas.

**AVISO:** Cuidado! Antes de perfurar, é extremamente importante utilizar um dispositivo de detecção adequado para verificar se existem tubos e cabos elétricos escondidos na parede. Certifique-se de que todas as distâncias de segurança em relação a materiais inflamáveis são respeitadas, conforme indicado acima.

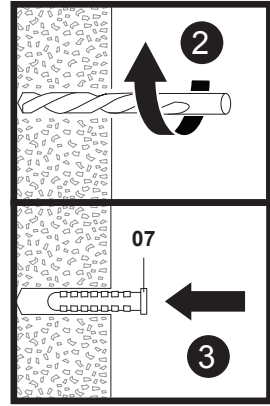
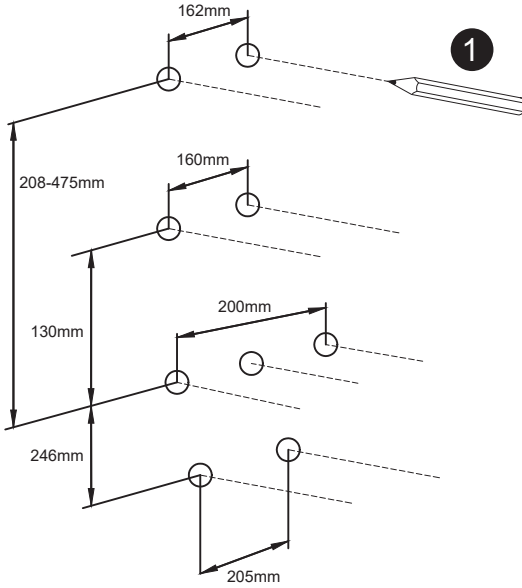
Perfure os orifícios e insira as buchas de parede nos 9 orifícios. Insira os parafusos nos orifícios da segunda fila a contar de baixo. A folga máxima entre a terceira e a quarta fila a contar de baixo deve ser entre 78 e 345 mm, consoante a altura do teto.

**AVISO:** utilize apenas suportes e parafusos de fixação com o tamanho recomendado neste manual de instruções. O incumprimento destas instruções pode resultar em perigos elétricos.

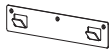
**AVISO:** siga as instruções constantes nas secções de Segurança e Instalação elétrica no início deste manual antes de ligar este aparelho à corrente elétrica!


# 03

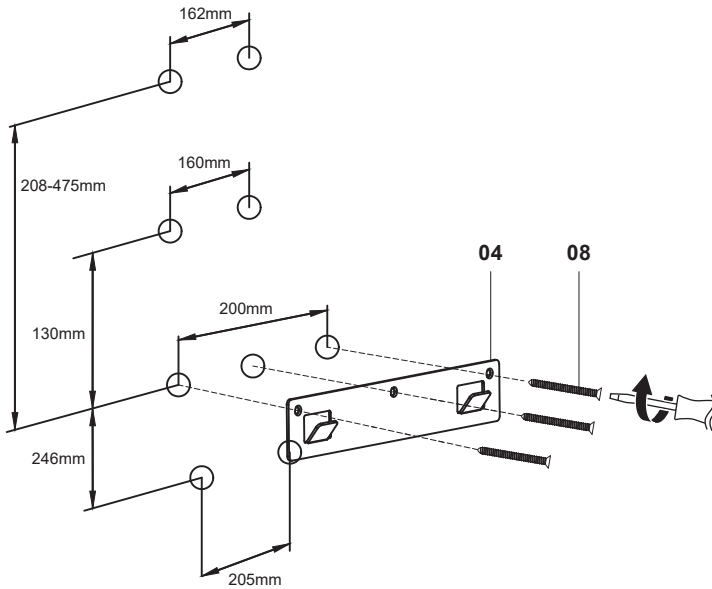
 07. x9



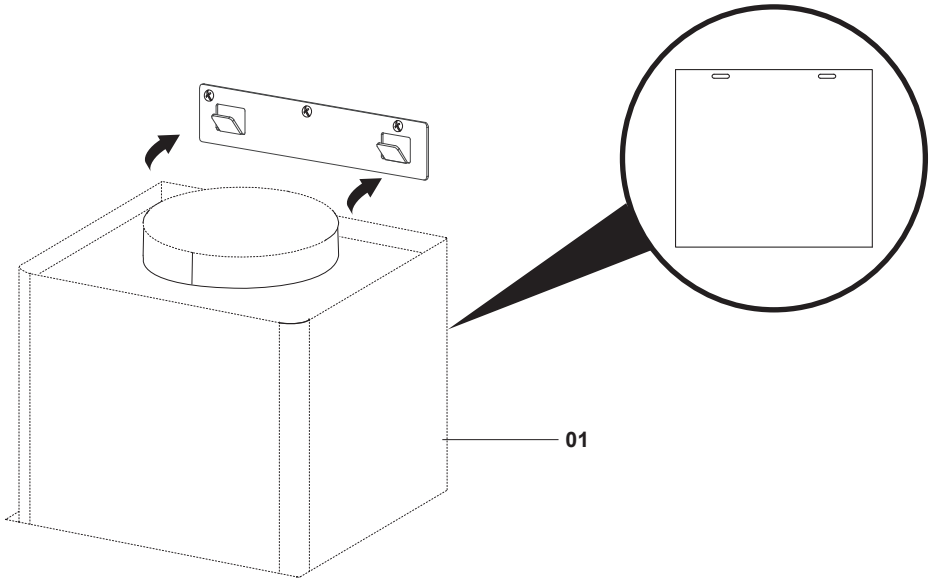
# 04

 04. x1

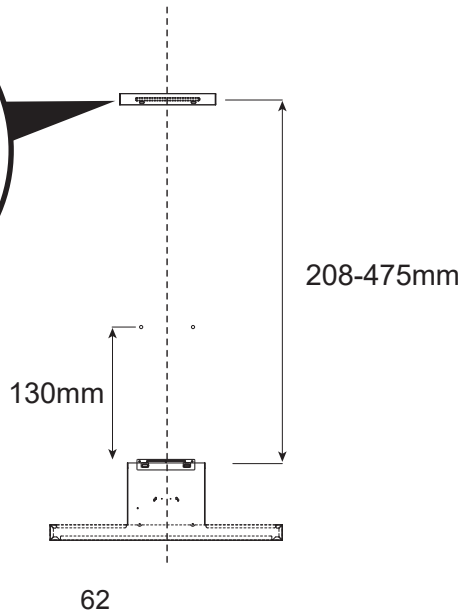
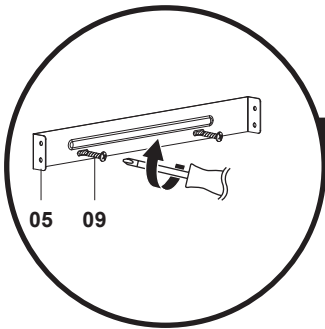
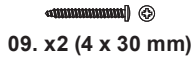
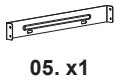
 08. x3 (4 x 30 mm)



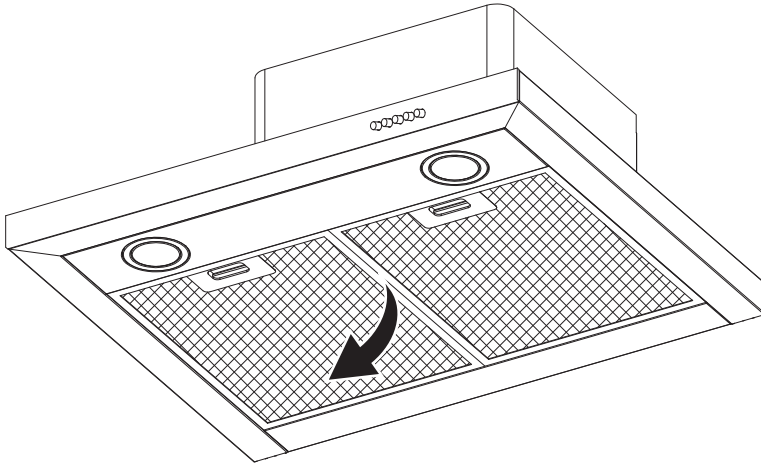
# 05




# 06

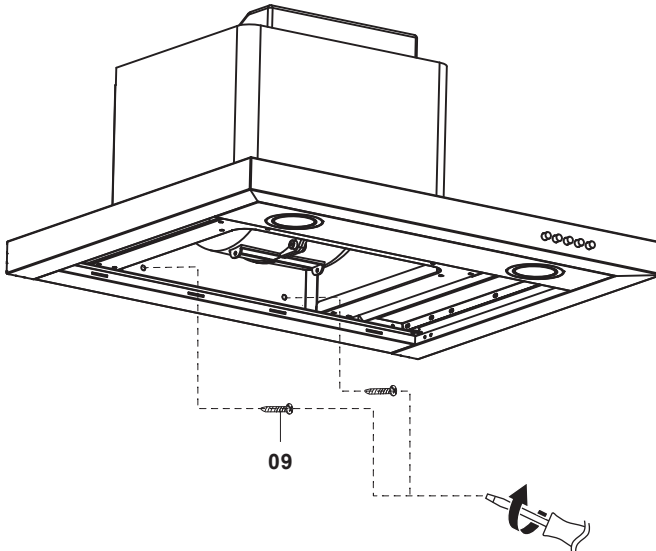


# 07



# 08

 09. x2 (4 x 30 mm)



# 9A



VENT PACK  
(Ø150mm)

**EN** Only for ducted option

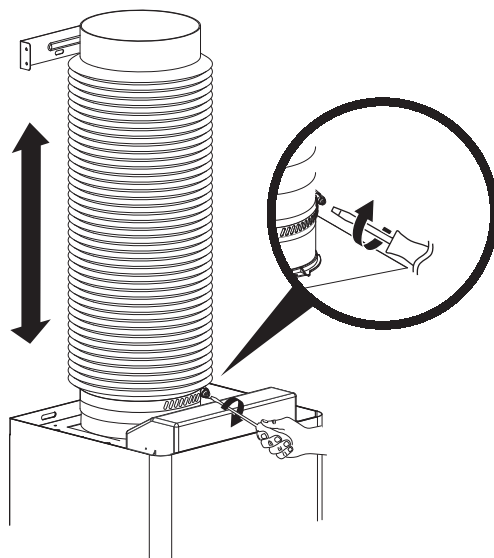
**FR** Uniquement pour le mode d'évacuation

**PL** Dotyczy wyłącznie opcji z kanałem odprowadzającym

**RO** Numai pentru opțiunea cu tublatură

**ES** Solo para la opción con conducto.

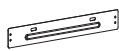
**PT** Apenas para a opção entubada



# 10A



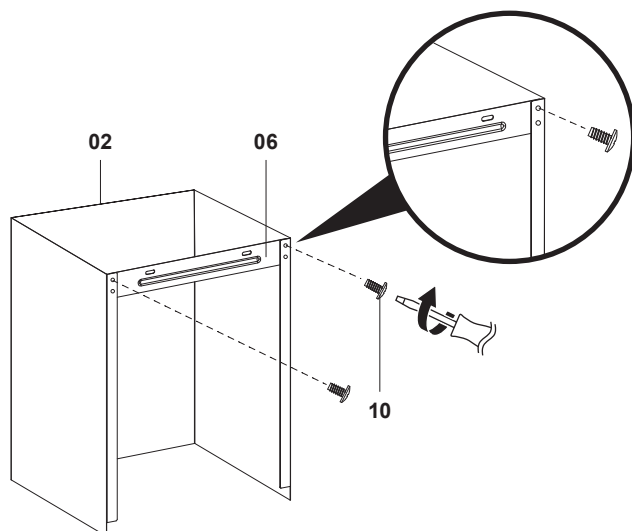
02. x1



06. x1



10. x2 (4 x 8 mm)

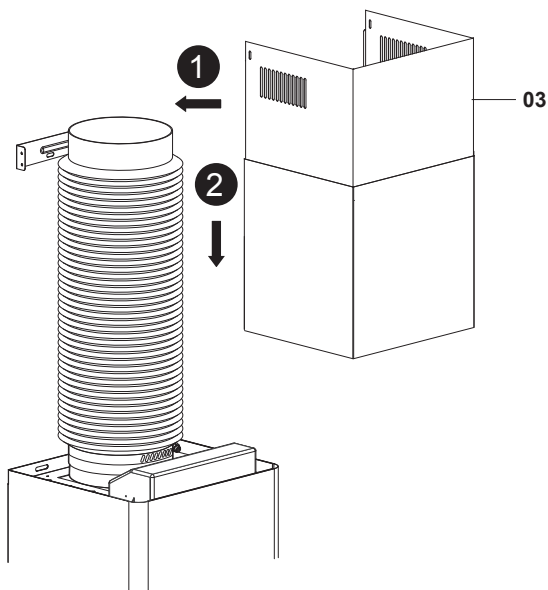




# 11A



03. x1



# 9B



CARBFILT22  
5057741140606

**EN** Only for recirculation option.

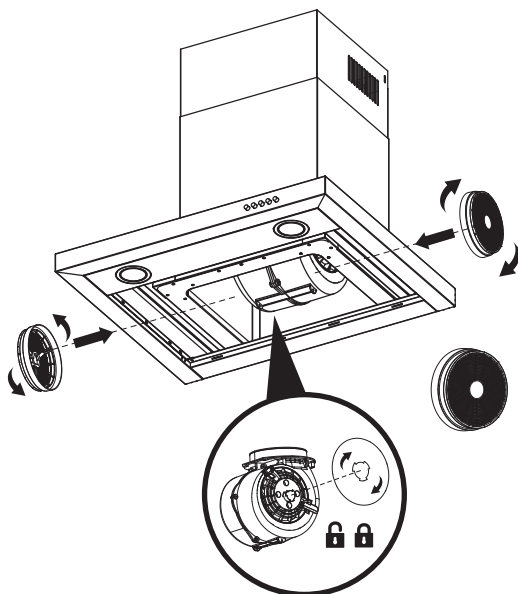
**FR** Uniquement pour l'option de recyclage.

**PL** Dotyczy wyłącznie opcji obiegu zamkniętego.

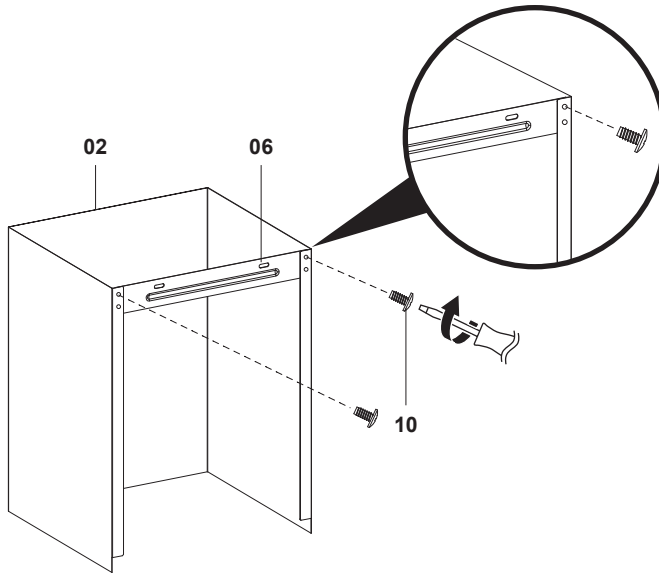
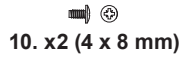
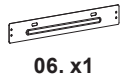
**RO** Numai pentru opțiunea cu recirculare.

**ES** Solo para la opción de recirculación.

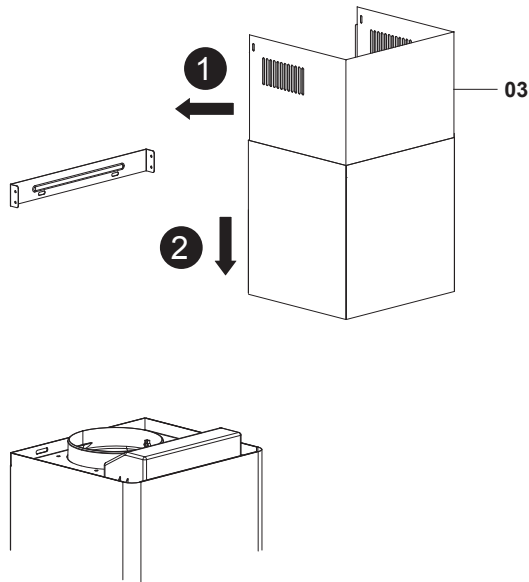
**PT** Apenas para a opção de recirculação.



# 10B



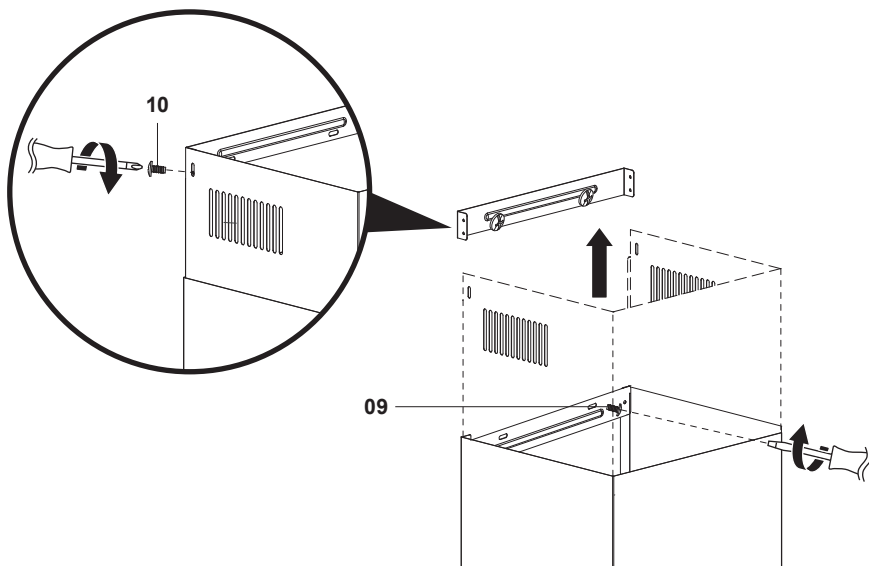
# 11B



# 12

0.9 x2 (4 x 30 mm)

10. x2 (4 x 8 mm)



# 13

**EN** Tighten all screws.

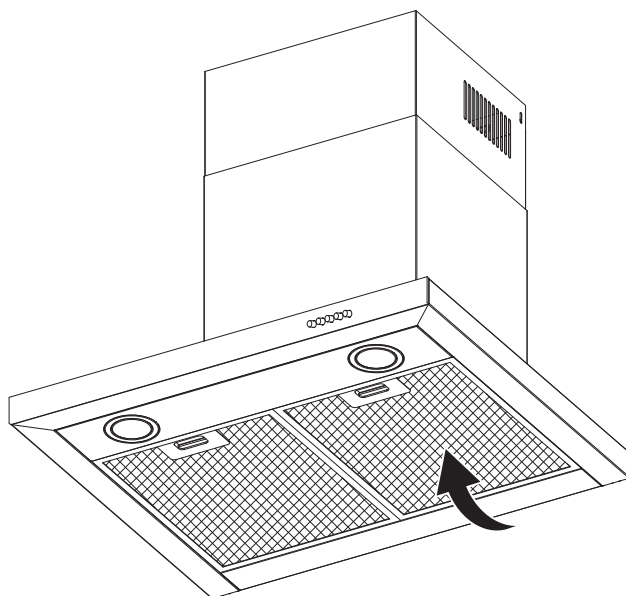
**FR** Serrer toutes les vis.

**PL** Dokręcić wszystkie wkręty.

**RO** Strânge toate șuruburile.

**ES** Apriete todos los tornillos.

**PT** Aperte todos os parafusos.



### Before you start



**WARNING:** Read the instructions before using the appliance.

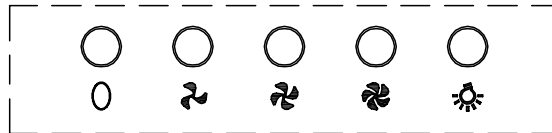
Switch on the Residual Current Device (RCD) at the consumer unit. The appliance is ready for use.






### EN Functions & Settings

---

#### Control panel

To obtain the best results from your cooker hood it is recommended that you leave it switched on for up to 15 minutes after you have finished cooking.



-  Fan off button
-  Fan speed 1 button
-  Fan speed 2 button
-  Fan speed 3 button
-  Light on / off button

## Troubleshooting

Problem	Possible cause	Solution
Excessive vibration.	The appliance is not installed properly on the brackets.	Take down the appliance and check it is properly fixed.
	The fan blade is damaged.	Switch off the appliance. Repair to be carried out by qualified service personnel only.
	The fan motor is not fixed tightly.	
The light is on, but the fan does not work.	The fan blade is jammed.	Switch off the appliance. Repair to be carried out by qualified service personnel only.
	The motor is damaged.	
Both the light and motor do not work.	Light bulb blown.	Ring the customer helpline at the end of the Care & maintenance section to arrange an engineer visit.
	Power connection loose.	Check power supply.
Suction performance reduced.	Speed may be too low.	Select a higher speed.
	Aluminium filters are dirty.	Clean the aluminium filters. (See Care and maintenance section).
	Top vent might be obstructed.	Clear any obstruction.
	Optional vent kit might be twisted.	Ensure that the vent kit is fitted according to the manufacturer's instructions.
	The installation may not comply with the manufacturers instructions.	The vent hose should be correct diameter throughout with no reductions or restriction. (See installation section).
Works normally but cooking smells linger.	Carbon filter is not fitted in recirculation mode or is full of grease.	Fit carbon filter or replace the carbon filter (See Care and maintenance section).

This appliance respects laws of the suppression of radio interference. As the Manufacturer has a policy of continuous product improvement, it reserves the right to adapt and carry out any modification considered necessary without prior warning.

### Avant de commencer



**AVERTISSEMENT** : lire les instructions avant d'utiliser l'appareil.

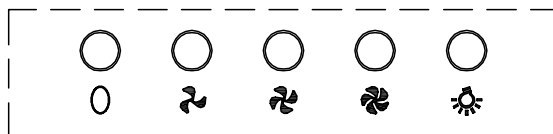
Activer le dispositif à courant résiduel (RCD) au niveau du tableau électrique. L'appareil est prêt à l'emploi.






### FR Fonctions et réglages

---

#### Panneau de commande

Pour tirer le meilleur parti de votre hotte, il est recommandé de la laisser allumée pendant au moins 15 minutes après la fin de la cuisson.



-  Bouton d'arrêt du ventilateur
-  Bouton de vitesse 1 du ventilateur
-  Bouton de vitesse 2 du ventilateur
-  Bouton de vitesse 3 du ventilateur
-  Bouton marche/arrêt de l'éclairage

## Dépannage

Problème	Causes possibles	Solutions
Vibration excessive.	L'appareil n'est pas installé correctement sur les supports.	Démonter l'appareil et vérifier qu'il est correctement fixé.
	La pale du ventilateur est endommagée.	Éteindre l'appareil. La réparation doit être effectuée uniquement par du personnel qualifié.
	Le moteur du ventilateur n'est pas bien fixé.	
L'éclairage est allumé, mais le ventilateur ne fonctionne pas.	La pale du ventilateur est bloquée.	
L'éclairage et le moteur ne fonctionnent pas.	Le moteur est endommagé.	Contacter l'assistance téléphonique mentionnée à la fin de la section Entretien et maintenance afin de planifier un rendez-vous avec un technicien.
	Ampoule grillée.	
L'éclairage et le moteur ne fonctionnent pas.	Connexion électrique desserrée.	Vérifier l'alimentation.
	Performances d'aspiration réduites.	La vitesse est peut-être trop faible.
Les filtres en aluminium sont sales.		Nettoyer les filtres en aluminium. (Se reporter à la section Entretien et maintenance).
L'évacuation du dessus est peut-être obstruée.		Éliminer toute obstruction.
Le kit d'évacuation en option est peut-être déformé.		S'assurer que le kit d'évacuation est fixé conformément aux instructions du fabricant.
L'installation n'est peut-être pas conforme aux instructions du fabricant.		Le tuyau d'évacuation doit présenter un diamètre correct et uniforme, sans réduction ni restriction. (Voir la section Installation).
Le produit fonctionne normalement mais les odeurs de cuisson persistent.	Le filtre à charbon n'est pas installé en mode recyclage ou est couvert de graisse.	Installer ou remplacer le filtre à charbon (voir la section Entretien et maintenance).

Cet appareil respecte les lois relatives à la suppression des parasites radioélectriques. Étant donné que le fabricant suit une politique d'amélioration continue du produit, il se réserve le droit d'adapter et d'apporter toute modification jugée nécessaire sans avertissement préalable.

### Przed rozpoczęciem użytkowania



**OSTRZEŻENIE:** Przed rozpoczęciem korzystania z urządzenia zapoznać się z instrukcją obsługi.

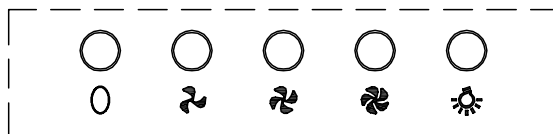
Włączyć wyłącznik różnicowoprądowy (RCD) na rozdzielnicę. Urządzenie jest gotowe do użytku.

### PL Funkcje i ustawienia

---

#### Panel sterowania

W celu uzyskania najlepszych efektów podczas użytkowania okapu kuchennego zaleca się pozostawić okap włączony przez 15 minut po zakończeniu gotowania.



0 Przycisk wyłączenia wentylatora

 Przycisk prędkości wentylatora 1

 Przycisk prędkości wentylatora 2

 Przycisk prędkości wentylatora 3

 Przycisk wł./wył. oświetlenia



## Rozwiązywanie problemów

Usterka	Możliwa przyczyna	Rozwiązanie
Nadmierne drgania.	Urządzenie nie jest prawidłowo zamontowane na wspornikach.	Zdejmij urządzenie i sprawdź, czy jest prawidłowo zamontowane.
	Łopátka wentylatora jest uszkodzona.	Wyłączyć urządzenie. Naprawy mogą być wykonywane wyłącznie przez wykwalifikowany autoryzowany serwis.
	Silnik wentylatora nie jest zamocowany we właściwy sposób.	
Oświetlenie jest włączone, ale wentylator nie działa.	Łopátka wentylatora jest zablokowana.	
Oświetlenie i silnik nie działają.	Silnik jest uszkodzony.	
	Przepalona żarówka.	Zadzwoń na infolinię klienta podaną na końcu rozdziału „Czyszczenie i konserwacja”, aby umówić wizytę serwisanta.
Zmniejszona wydajność ssania.	Poluzowany przewód zasilający.	Sprawdź podłączenie do zasilania.
	Prędkość może być zbyt niska.	Wybrać większą prędkość.
Zmniejszona wydajność ssania.	Zabrudzone filtry aluminiowe.	Wyczyścić filtry aluminiowe. (patrz rozdział Czyszczenie i konserwacja).
	Górny otwór wentylacyjny może być zablokowany.	Usunąć wszelkie przeszkody.
	W przypadku podłączenia do kanału wentylacyjnego; zestaw przyłączeniowy może być skręcony.	Upewnić się, że zestaw przyłączeniowy został zamontowany zgodnie z instrukcjami producenta.
	Instalacja może nie być zgodna z instrukcją producenta.	Przewód wentylacyjny powinien mieć prawidłową średnicę na całej długości, bez żadnych zwężeń lub ograniczeń (patrz rozdział Instalacja).
Działa normalnie, ale pozostają zapachy po gotowaniu.	Filtr węglowy nie jest zamontowany w trybie obiegu zamkniętego lub jest wypełniony tłuszczem.	Zamontuj lub wymień filtr węglowy (patrz rozdział Czyszczenie i konserwacja).

Urządzenie jest zgodne z przepisami dotyczącymi eliminacji zakłóceń radiowych. W ramach polityki polegającej na nieustannym doskonaleniu produktów, producent zastrzega sobie prawo do wprowadzenia niezbędnych modyfikacji bez wcześniejszego powiadomienia.

### Înainte de a începe



**AVERTISMENT:** Citește instrucțiunile înainte de a utiliza aparatul.

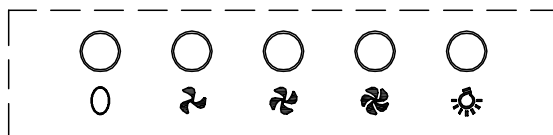
Pornește siguranța automată cu protecție diferențială (RCD) de la tabloul de distribuție. Aparatul este gata de utilizare.






### RO Funcții și setări

---

#### Panou de comandă

Pentru a obține cele mai bune rezultate de la hotă, se recomandă să o lași pornită până la 15 minute după ce ai terminat de gătit.



-  Buton de oprire ventilator
-  Buton pentru turația 1 a ventilatorului
-  Buton pentru turația 2 a ventilatorului
-  Buton pentru turația 3 a ventilatorului
-  Buton pentru aprindere/stingere lumină

## Depanare

Problemă	Cauză posibilă	Soluție
Vibrații excesive.	Aparatul nu este montat corespunzător pe console.	Demontează aparatul și verifică dacă este fixat corespunzător.
	Pala ventilatorului este defectă.	Oprește aparatul. Reparațiile trebuie efectuate numai de personal de service calificat.
	Motorul ventilatorului nu este fixat corespunzător.	
Lumina este aprinsă, dar ventilatorul nu funcționează.	Pala ventilatorului este blocată.	
	Motorul este deteriorat.	
Nici lumina, nici motorul nu funcționează.	Bec ars.	Contactează linia de Asistență clienți specificată la finalul secțiunii Îngrijire și întreținere pentru detalii despre verificarea de către service.
	Pierderi de tensiune.	Verifică sursa de alimentare.
Eficiență redusă de aspirare.	Este posibil ca viteza să fie prea mică.	Selectează o viteză mai mare.
	Filtrele din aluminiu sunt murdare.	Curăță filtrele din aluminiu. (Vezi secțiunea Îngrijire și întreținere.)
	Ventilația superioară ar putea fi obstrucționată.	Elimină orice obstrucție.
	Setul opțional de ventilare ar putea fi răsucit.	Setul de ventilare trebuie montat conform instrucțiunilor producătorului.
	Este posibil ca montarea să nu fie conformă cu instrucțiunile producătorului.	Furtunul de ventilare trebuie să aibă diametrul corect, fără reduții sau obstrucții. (Consultă secțiunea despre montare).
Funcționează normal, dar mirosul de mâncare persistă.	Filtrul din carbon nu este montat în modul de recirculare sau este plin de grăsime.	Montează sau înlocuiește filtrul din carbon (Consultă secțiunea Îngrijire și întreținere).

Acest aparat respectă legea privind limitarea interferenței undelor radio. Având o politică de îmbunătățire continuă a produselor, producătorul își rezervă dreptul de a face orice adaptări și modificări considerate necesare, fără o notificare prealabilă.

### Antes de empezar



**ADVERTENCIA:** Lea las instrucciones antes de utilizar el aparato.

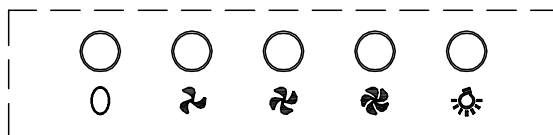
Conecte el dispositivo de corriente residual (RCD) en la unidad de consumo. El aparato está listo para su uso.






### ES Funciones y ajustes

---

#### Panel de control

Para obtener los mejores resultados de la campana extractora, se recomienda dejarla encendida hasta 15 minutos después de haber terminado de cocinar.



-  Botón de apagado del ventilador
-  Botón de velocidad del ventilador 1
-  Botón de velocidad del ventilador 2
-  Botón de velocidad del ventilador 3
-  Botón de encendido y apagado de la luz

## Resolución de problemas

Problema	Posible causa	Solución
Vibración excesiva.	El aparato no está instalado correctamente en los soportes.	Intente quitar el aparato y compruebe que está bien fijado.
	El aspa del ventilador está dañada.	Apague el aparato. La reparación solo debe llevarla a cabo el personal de servicio cualificado.
	El motor del ventilador no está bien fijado.	
La luz está encendida, pero el ventilador no funciona.	El aspa del ventilador está atascada.	Apague el aparato. La reparación solo debe llevarla a cabo el personal de servicio cualificado.
	El motor está dañado.	
No funcionan ni la luz ni el motor.	Bombilla fundida.	Llame al servicio de atención al cliente para organizar la visita de un técnico; encontrará los datos al final de la sección Cuidado y mantenimiento.
	Conexión eléctrica suelta.	Compruebe la fuente de alimentación.
Potencia de aspiración reducida.	Puede que la velocidad sea demasiado baja.	Seleccione una velocidad más alta.
	Los filtros de aluminio están sucios.	Limpie los filtros de aluminio. (Consulte la sección Cuidado y mantenimiento).
	La ventilación superior puede estar obstruida.	Limpie las obstrucciones.
	El kit opcional de ventilación podría estar torcido.	Asegúrese de que el kit de ventilación está instalado de acuerdo con las instrucciones del fabricante.
	Es posible que la instalación no cumpla con las instrucciones del fabricante.	La manguera de ventilación debe tener el diámetro correcto en toda su extensión, sin reducciones ni restricciones. (Consulte la sección de instalación).
Funciona con normalidad, pero los olores de la cocina persisten.	El filtro de carbono no está instalado en modo de recirculación o está lleno de grasa.	Coloque el filtro de carbono o sustitúyalo. (Consulte la sección Cuidado y mantenimiento).

Este aparato cumple las leyes de eliminación de interferencias de radio. Dado que el fabricante tiene una política de mejora continua del producto, se reserva el derecho a adaptar y realizar cualquier modificación que considere necesaria sin previo aviso.

### Antes de começar



**AVISO:** leia as instruções antes de utilizar o aparelho.

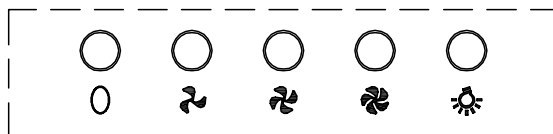
Ligue o disjuntor diferencial residual (DDR) ao contador elétrico. O aparelho está pronto para ser utilizado.






### PT Funções e configurações

---

#### Painel de controlo

Para obter os melhores resultados do exaustor, recomenda-se que o deixe ligado até 15 minutos após terminar de cozinhar.



-  Botão para desligar a ventoinha
-  Botão de velocidade 1 da ventoinha
-  Botão de velocidade 2 da ventoinha
-  Botão de velocidade 3 da ventoinha
-  Botão de ligar/desligar a luz

## Resolução de problemas

Problema	Causa possível	Solução
Vibração excessiva.	O aparelho não está devidamente instalado nos suportes.	Retire o aparelho e verifique se está fixo corretamente.
	A lâmina da ventoinha está danificada.	Desligue o aparelho. Reparação a ser efetuada apenas por pessoal de manutenção qualificado.
	O motor da ventoinha não está bem fixo.	
A luz está acesa, mas a ventoinha não funciona.	A pá do ventilador está bloqueada.	
	O motor está danificado.	
Tanto as luzes como o motor não funcionam.	Lâmpada fundida.	Contacte a linha de apoio ao cliente no final da secção de Cuidados e manutenção para agendar uma visita de um técnico.
	Ligação de alimentação solta.	Verifique a fonte de alimentação.
Redução do desempenho de sucção.	A velocidade pode ser muito baixa.	Selecione uma velocidade superior.
	Os filtros de alumínio estão sujos.	Limpe os filtros de alumínio. (Consulte a secção Cuidados e manutenção).
	O respiro superior pode estar obstruído.	Elimine qualquer obstrução.
	O kit de ventilação opcional pode estar torcido.	Certifique-se de que o kit de ventilação está montado de acordo com as instruções do fabricante.
	A instalação poderá não estar em conformidade com as instruções do fabricante.	A mangueira de ventilação deve ter o diâmetro correto em todo o comprimento, sem reduções nem restrições. (Consulte a secção de instalação).
Funciona normalmente mas os odores resultantes de cozinhar permanecem.	O filtro de carbono não está instalado no modo de recirculação ou está cheio de gordura.	Instale um filtro de carbono ou substitua o existente. (Consulte a secção Cuidados e manutenção).

Este aparelho respeita leis da supressão de interferências radioelétricas. Uma vez que o fabricante tem uma política de melhoria contínua dos produtos, este reserva o direito de adaptar e efetuar qualquer alteração considerada necessária sem aviso prévio.

## EN Care & maintenance

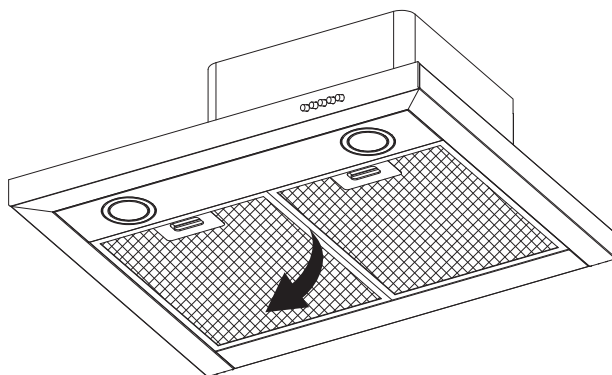
**!** **WARNING:** Turn off the power at the Residual Current Device (RCD) before replacing the carbon filters.

### 01 Carbon filter replacement

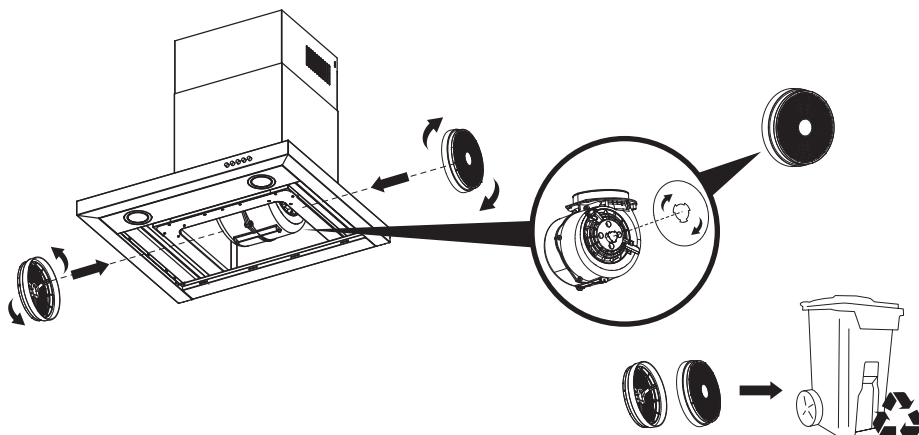
Replace carbon filters every three months.

To change the carbon filters:

# 01



# 02







**3 MONTHS**

Use two carbon filters, model CARBFILT22 5057741140606 available from the Customer helpline. See the Care & Maintenance section for details.



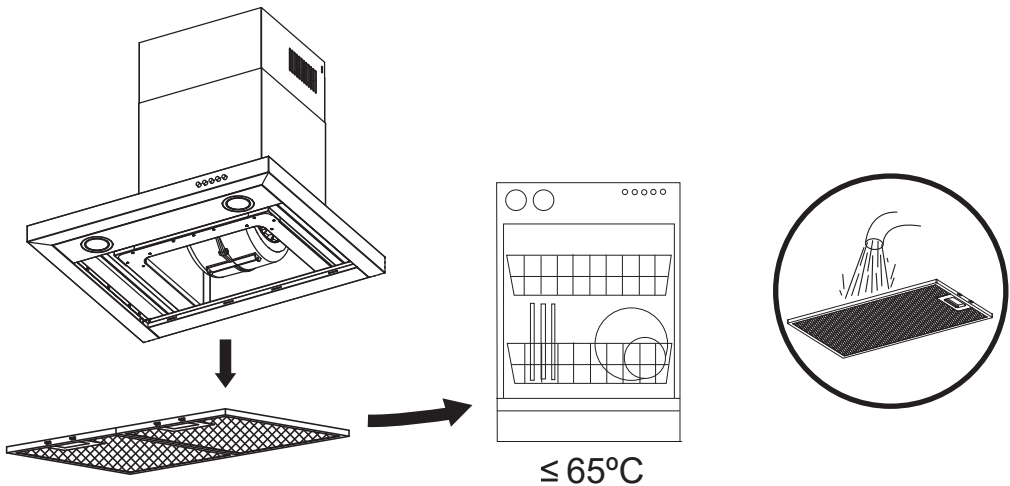
**WARNING:** Always switch off the electrical supply before carrying out maintenance work on the hood. In the event of a fault, contact Customer Services.

## 02 Aluminium grease filter cleaning

Aluminium filters: To avoid fires, clean thoroughly once a month. Remove the grease filters as shown and soak in hot water and detergent for an hour. If using a dishwasher position the filters vertically to improve the cleaning process.



**1 MONTH**



**WARNING:** Increase the filter cleaning/replacement frequency if the hood is used for more than 2 hours a day. Always use genuine filters from the manufacturer.

## 03 Lamp replacement

The LED lamps in this appliance are not replaceable by the consumer. If a lamp fails, please contact the Customer helpline to arrange an engineer visit.

**Customer helpline (toll free):**

UK 0800 324 7818 [uk@kingfisherservice.com](mailto:uk@kingfisherservice.com)

Eire 1800 932 230 [eire@kingfisherservice.com](mailto:eire@kingfisherservice.com)

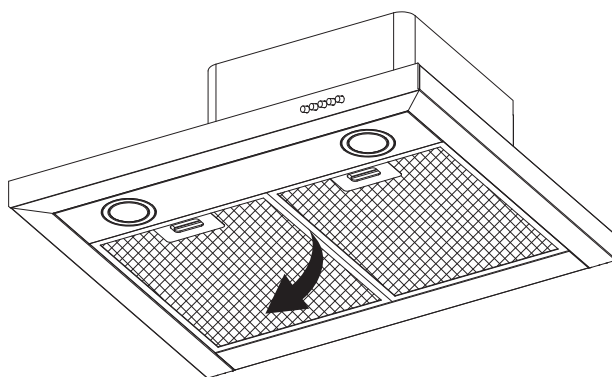
**!** **AVERTISSEMENT** : Couper l'alimentation au niveau du dispositif à courant résiduel (RCD) avant de remplacer les filtres à charbon.

## 01 Remplacement des filtres à charbon

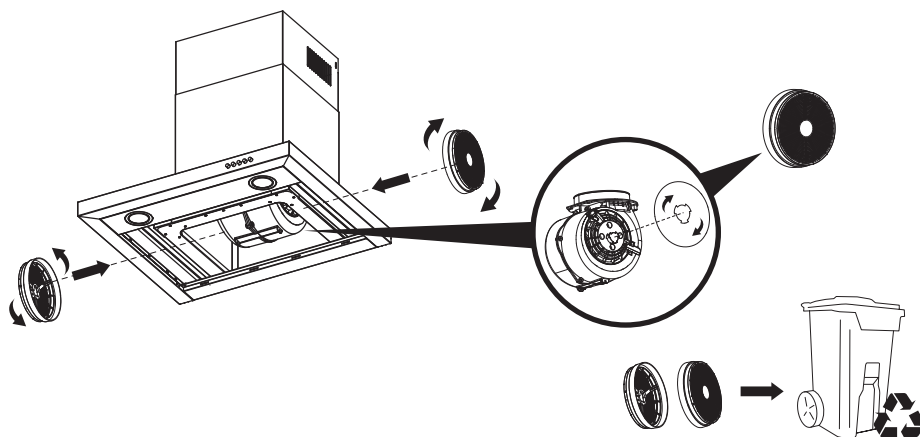
Remplacer les filtres à charbon tous les trois mois.

Pour remplacer les filtres à charbon :

# 01



# 02





3 mois

Utiliser deux filtres à charbon, modèle CARBFILT22 5057741140606, disponibles auprès de l'assistance téléphonique. Voir la section Entretien et maintenance pour plus de détails.



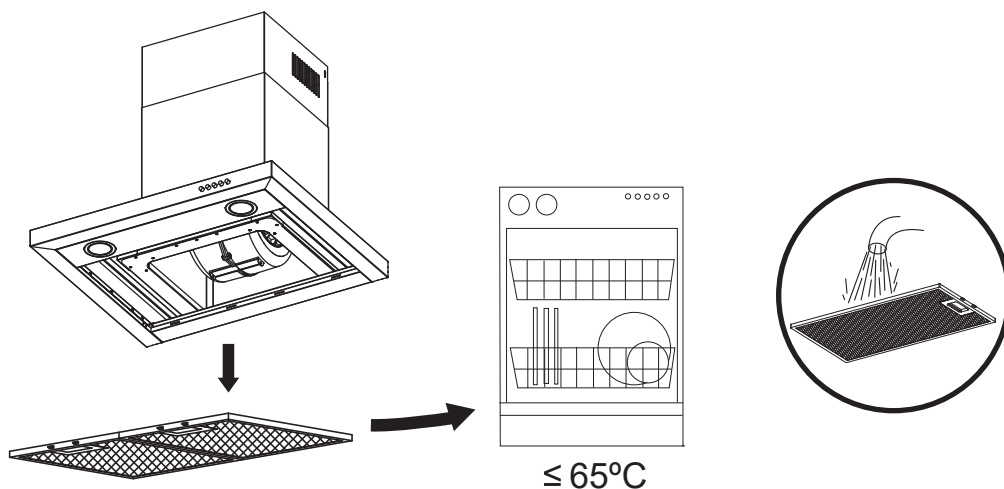
**AVERTISSEMENT** : Toujours couper l'alimentation électrique avant d'effectuer des travaux d'entretien sur la hotte. En cas de problème, contacter le service client.

## 02 Nettoyage des filtres à graisse en aluminium

Filtres en aluminium : Pour éviter les incendies, nettoyer soigneusement les filtres une fois par mois. Retirer les filtres à graisse comme indiqué et les tremper dans de l'eau chaude et du détergent pendant une heure. Si vous utilisez un lave-vaisselle, placer les filtres à la verticale pour améliorer le processus de nettoyage.



1 mois



**AVERTISSEMENT** : Augmenter la fréquence de remplacement/nettoyage des filtres si la hotte est utilisée plus de 2 heures par jour. Toujours utiliser des filtres d'origine du fabricant.

## 03 Remplacement de la lampe

Les lampes LED de cet appareil ne peuvent pas être remplacées par l'utilisateur. En cas de panne d'une lampe, contacter l'assistance téléphonique afin de planifier un rendez-vous avec un technicien.

**Assistance téléphonique (sans frais) :**

0805 114 951 france@kingfisherservice.com

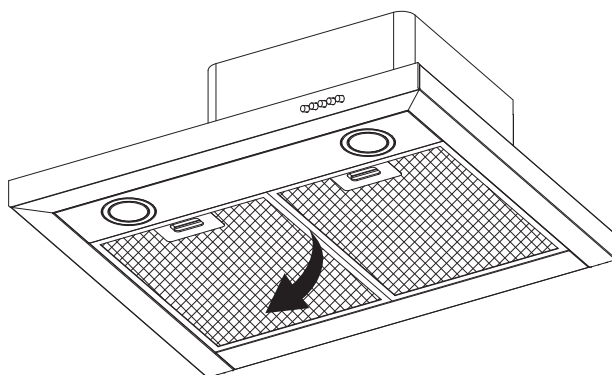
**!** **OSTRZEŻENIE:** przed przystąpieniem do wymiany filtrów węglowych należy wyłączyć zasilanie na wyłączniku różnicowoprądowym (RCD).

### 01 Wymiana filtra węglowego

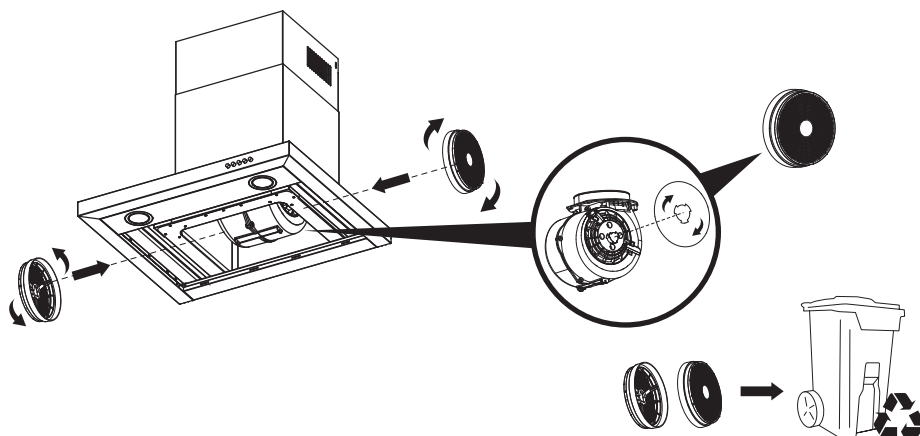
Filtry węglowe należy wymieniać co trzy miesiące.

Aby wymienić filtry węglowe:

# 01



# 02





3 miesiące

Należy użyć dwóch filtrów węglowych, model CARBFILT22 5057741140606, które można zamówić za pośrednictwem infolinii dla klientów. Szczegółowe informacje znajdują się w rozdziale Czyszczenie i konserwacja.



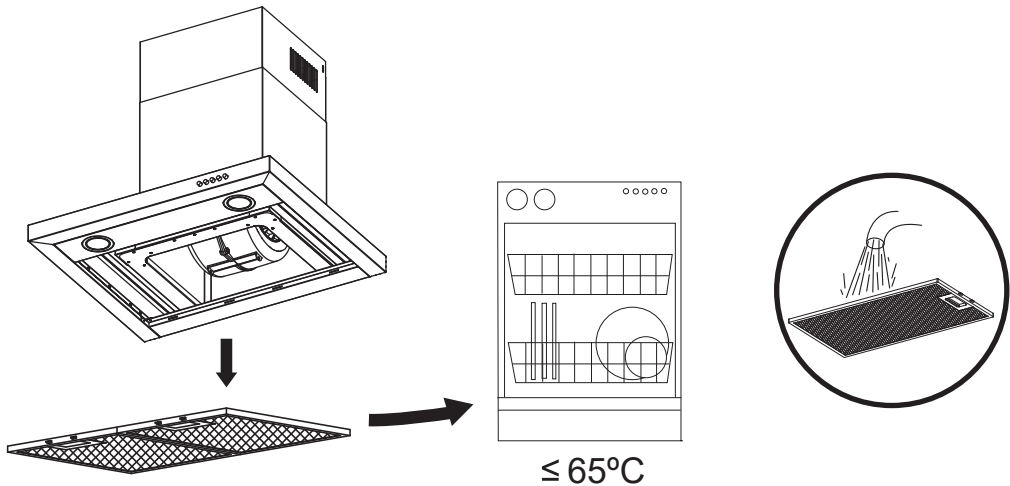
**OSTRZEŻENIE:** Należy zawsze wyłączyć zasilanie elektryczne przed rozpoczęciem prac konserwacyjnych przy okapie. W przypadku usterki należy skontaktować się z działem obsługi klienta.

## 02 Czyszczenie aluminiowego filtra odtłuszczającego

Filtry aluminiowe: Aby uniknąć pożaru, należy dokładnie czyścić filtr raz w miesiącu. Wyjąć oba filtry odtłuszczające, jak pokazano na rysunku, i zanurzyć je na godzinę w gorącej wodzie z dodatkiem detergentu. W przypadku korzystania ze zmywarki filtry należy ustawić pionowo, aby usprawnić proces czyszczenia.



1 miesiąc



**OSTRZEŻENIE:** Jeśli okap jest używany dłużej niż przez 2 godziny dziennie, należy zwiększyć częstotliwość czyszczenia/wymiany filtrów. Należy zawsze używać oryginalnych filtrów dostarczonych przez producenta.

## 03 Wymiana oświetlenia

Oświetlenie LED w tym urządzeniu nie może być wymienione przez użytkownika. Jeśli dojdzie do awarii oświetlenia, należy skontaktować się z infolinią dla klientów w celu umówienia wizyty serwisanta.

**Infolinia dla klientów (bezpłatna):**

800 121 2222 poland@kingfisherservice.com

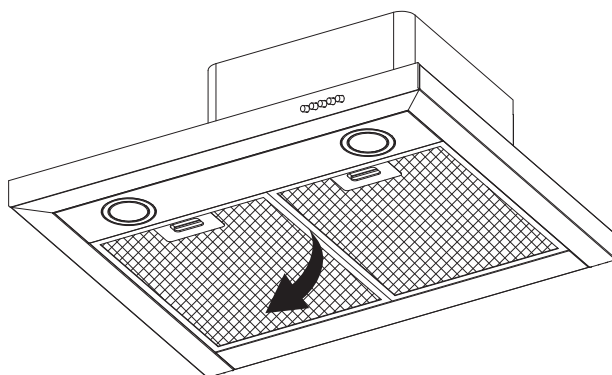
**!** **AVERTISMENT:** Înainte de a înlocui filtrele din carbon, oprește curentul de la siguranța automată cu protecție diferențială (RCD).

### 01 Înlocuirea filtrului din carbon

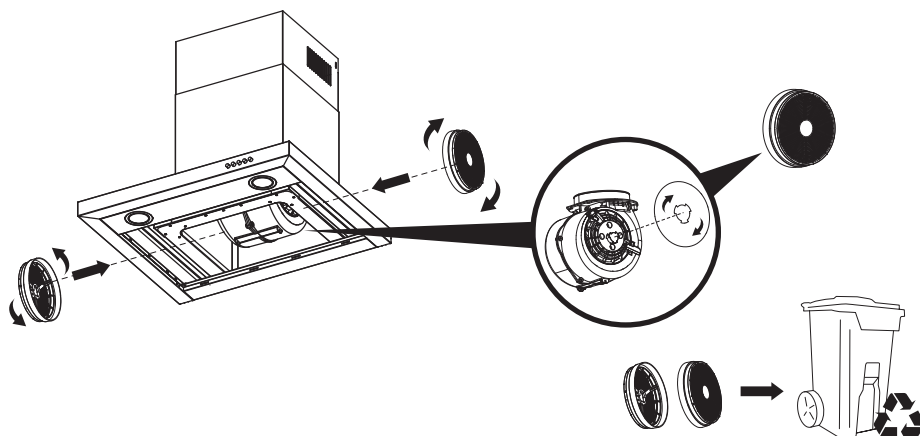
Înlocuiește filtrele din carbon o dată la trei luni.

Înlocuirea filtrelor din carbon:

# 01



# 02





3 luni

Folosește două filtre din carbon model CARBFILT22 5057741140606, disponibile prin linia de Asistență clienți. Consultă secțiunea Îngrijire și întreținere pentru detalii.



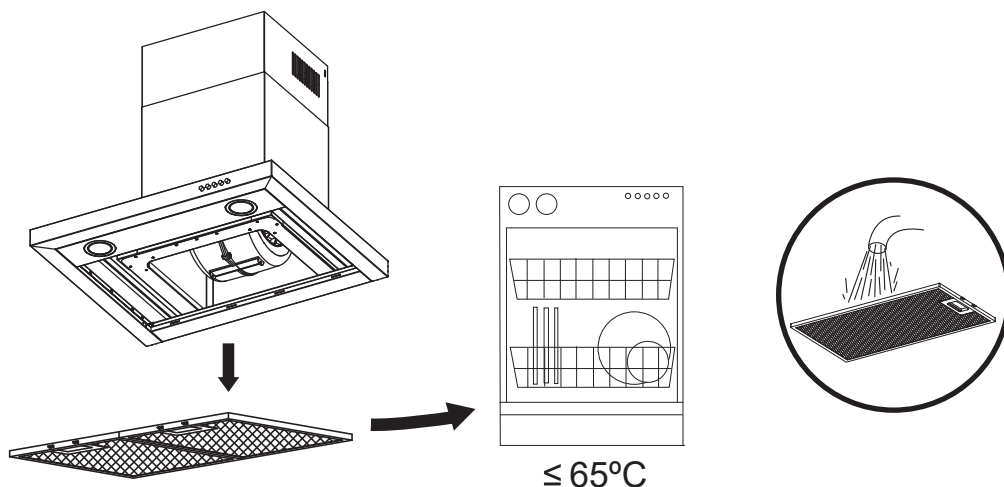
**AVERTISMENT:** Deconectează întotdeauna alimentarea electrică înainte de a efectua lucrări de întreținere la hotă. În caz de defecțiune, contactează serviciul de Asistență clienți.

## 02 Curățarea filtrului de grăsime din aluminiu

Filtre din aluminiu: Pentru a evita incendiile, curăță temeinic o dată pe lună. Scoate ambele filtre pentru grăsime conform instrucțiunilor și înmoaie-le în apă fierbinte cu detergent timp de o oră. Dacă folosești o mașină de spălat vase, poziționează filtrele vertical, pentru îmbunătățirea procesului de curățare.



1 lună



**AVERTISMENT:** Curăță/înlocuiește filtrele la intervale mai mici dacă hota este folosită mai mult de 2 ore pe zi. Folosește întotdeauna filtre originale de la producător.

## 03 Înlocuirea becului

Becurile cu LED din acest aparat nu pot fi înlocuite de client. Dacă se arde un bec, contactează linia de Asistență clienți pentru a programa vizita unui inginer.

**Asistență clienți (apel gratuit):**

0800 895 099 [romania@kingfisherservice.com](mailto:romania@kingfisherservice.com)

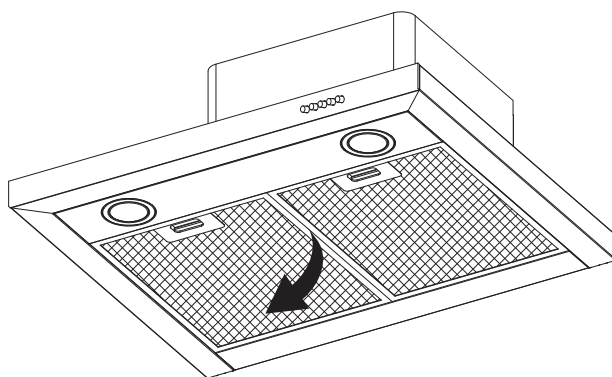
**!** **ADVERTENCIA:** Desconecte la alimentación del dispositivo de corriente residual (RCD) antes de sustituir los filtros de carbono.

### 01 Sustitución del filtro de carbono

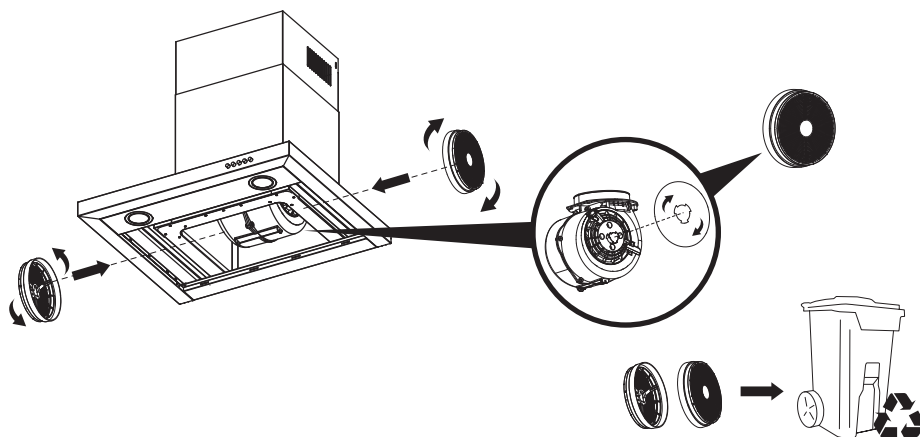
Sustituya los filtros de carbono cada tres meses.

Para cambiar los filtros de carbono:

# 01



# 02







3 meses

Utilice dos filtros de carbono, modelo CARBFILT22 5057741140606, disponibles a través de la línea de atención al cliente. Consulte la sección Cuidado y mantenimiento para obtener más información.



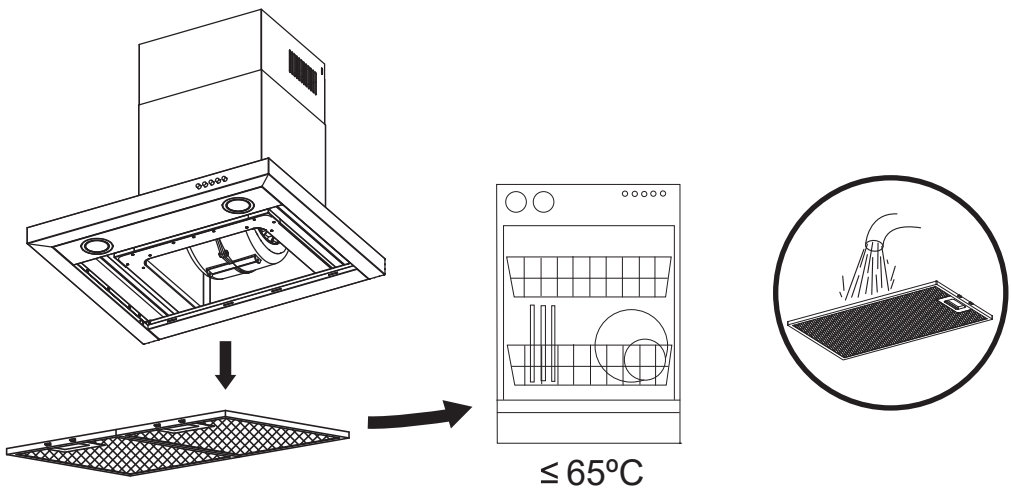
**ADVERTENCIA:** Desconecte siempre la alimentación eléctrica antes de llevar a cabo tareas de mantenimiento en la campana. En caso de avería, póngase en contacto con el servicio de atención al cliente.

## 02 Limpieza del filtro de grasa de aluminio

Filtros de aluminio: Para evitar incendios, limpie a fondo los filtros una vez al mes. Quite los filtros como se muestra y sumérgalos en agua caliente y detergente durante una hora. Si utiliza el lavavajillas, coloque los filtros en posición vertical para mejorar el proceso de limpieza.



1 mes



**ADVERTENCIA:** Aumente la frecuencia de limpieza/sustitución de los filtros si la campana se utiliza durante más de 2 horas al día. Utilice siempre filtros originales del fabricante.

## 03 Sustitución de la lámpara

El usuario no puede sustituir las bombillas LED de este aparato. Si una bombilla falla, póngase en contacto con el servicio de atención al cliente para organizar la visita de un técnico.

**Línea de atención al cliente (número gratuito):**

800 098 794 [spain@kingfisherservice.com](mailto:spain@kingfisherservice.com)

## PT Cuidados e manutenção



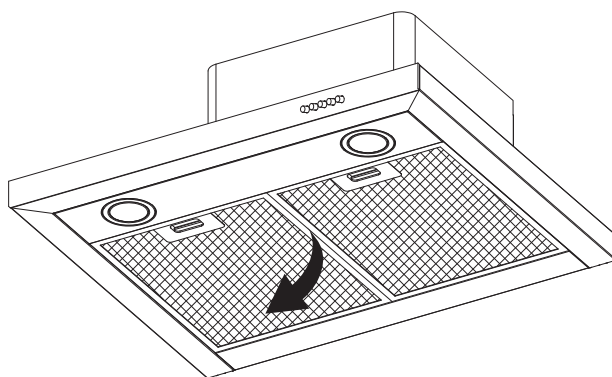
**AVISO:** desligue a alimentação do disjuntor diferencial residual (DDR) antes de substituir os filtros de carbono.

### 01 Substituição do filtro de carbono

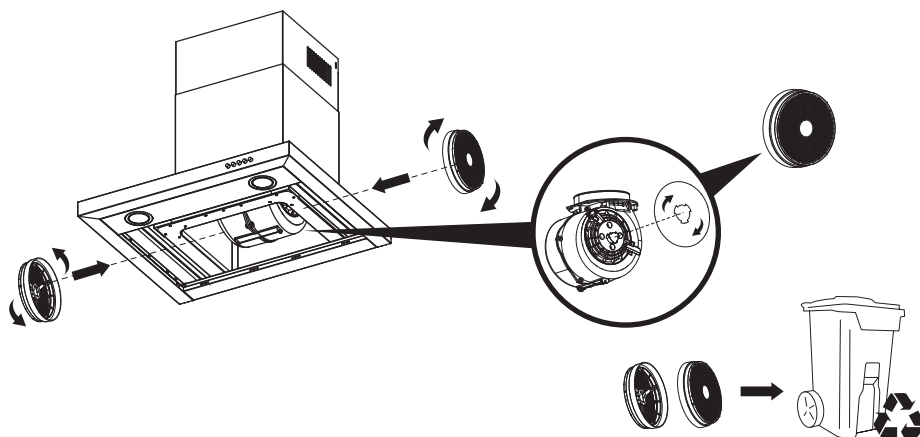
Substitua os filtros de carbono de três em três meses.

Para substituir os filtros de carbono:

# 01



# 02





3 meses

Utilize dois filtros de carbono, modelo CARBFILT22 5057741140606, disponíveis na linha de atendimento ao cliente. Consulte a seção Cuidados e manutenção para obter informações pormenorizadas.



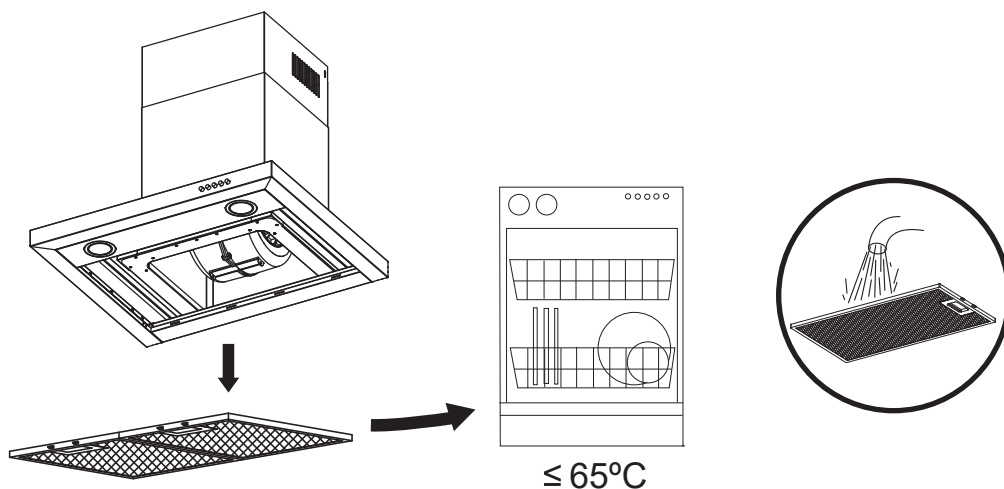
**AVISO:** desligue sempre a alimentação elétrica antes de realizar trabalhos de manutenção no exaustor. Em caso de problemas, entre em contacto com o serviço de atendimento ao cliente.

## 02 Limpeza do filtro de gorduras de alumínio

Filtros de alumínio: Para evitar incêndios, limpe cuidadosamente uma vez por mês. Retire os filtros de gorduras conforme ilustrado e deixe-os imersos em água quente e detergente durante uma hora. Se utilizar uma máquina de lavar louça, posicione os filtros na vertical para melhorar o processo de limpeza.



1 mês



**AVISO:** Aumente a frequência de limpeza/substituição se o exaustor for utilizado durante mais de 2 horas por dia. Utilize sempre filtros genuínos do fabricante.

## 03 Substituição de lâmpada

As lâmpadas LED deste aparelho não são substituíveis pelo consumidor. Se uma lâmpada falhar, contacte a linha de atendimento ao cliente para agendar uma visita de um técnico.

**Linha de atendimento ao cliente (gratuita):**

800 814 566 [portugal@kingfisherservice.com](mailto:portugal@kingfisherservice.com)

**Manufacturer • Fabricant • Producent •  
Producător • Fabricante**

**UK Manufacturer:**

Kingfisher International Products Limited,  
3 Sheldon Square, London, W2 6PX  
United Kingdom

**EU Manufacturer:**

Kingfisher International Products B.V.  
Rapenburgerstraat 175E  
1011 VM Amsterdam  
The Netherlands  
[www.kingfisher.com/products](http://www.kingfisher.com/products)

**EN** [www.diy.com](http://www.diy.com)

[www.screwfix.com](http://www.screwfix.com)

[www.screwfix.ie](http://www.screwfix.ie)

Customer Helpline (Freephone)  
UK 0800 324 7818 [uk@kingfisherservice.com](mailto:uk@kingfisherservice.com)  
Eire 1800 932 230 [eire@kingfisherservice.com](mailto:eire@kingfisherservice.com)

**To view instruction manuals online,  
visit [www.kingfisher.com/products](http://www.kingfisher.com/products)**

**FR** [www.castorama.fr](http://www.castorama.fr)

[www.bricodepot.fr](http://www.bricodepot.fr)

Assistance téléphonique (sans frais) :  
0805 114 951 [france@kingfisherservice.com](mailto:france@kingfisherservice.com)

**Pour consulter les manuels d'instructions  
en ligne, rendez-vous sur le site  
[www.kingfisher.com/products](http://www.kingfisher.com/products)**

**PL** [www.castorama.pl](http://www.castorama.pl)

Infolinia dla klientów (bezpłatna):  
800 121 2222 [poland@kingfisherservice.com](mailto:poland@kingfisherservice.com)

**Aby zapoznać się z instrukcją obsługi online,  
odwiedź stronę [www.kingfisher.com/products](http://www.kingfisher.com/products)**

**RO** [www.bricodepot.ro](http://www.bricodepot.ro)

Asistență clienți (apel gratuit):  
0800 895 099 [romania@kingfisherservice.com](mailto:romania@kingfisherservice.com)

**Pentru a consulta manualele de instrucțiuni  
online, vizitați [www.kingfisher.com/products](http://www.kingfisher.com/products)**

**ES** [www.bricodepot.es](http://www.bricodepot.es)

Línea de atención al cliente (número gratuito):  
800 098 794 [spain@kingfisherservice.com](mailto:spain@kingfisherservice.com)

**Para consultar los manuales de instrucciones  
en línea, visite [www.kingfisher.com/products](http://www.kingfisher.com/products)**

**PT** [www.bricodepot.pt](http://www.bricodepot.pt)

Linha de atendimento ao cliente (gratuita):  
800 814 566 [portugal@kingfisherservice.com](mailto:portugal@kingfisherservice.com)

**Para consultar manuais de instruções online,  
visite [www.kingfisher.com/products](http://www.kingfisher.com/products)**