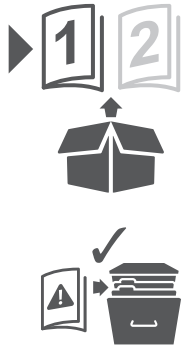


 <b>IMPORTANT</b>	<p>This is a combined document. Please ensure that the two instruction manuals are split out and printed separately, including blank pages.</p> <p><b>PLEASE DO NOT PRINT THIS PAGE.</b></p>
 <b>重要说明</b>	<p>这是一份组合文档。请确保将两份说明手册分开并单独打印，包括空白页。</p> <p>请勿打印此页。</p>
 <b>IMPORTANT</b>	<p>Le présent document est unifié. Veuillez vous assurer que les deux notices soient scindées et imprimées séparément, en y incluant les pages vierges.</p> <p><b>MERCI DE NE PAS IMPRIMER CETTE PAGE.</b></p>
 <b>WAŻNE</b>	<p>Dokument zbiorczy. Należy upewnić się, że instrukcje są rozdzielone i wydrukowane osobno, włącznie z pustymi stronami.</p> <p><b>NIE NALEŻY DRUKOWAĆ NINIEJSZEJ STRONY.</b></p>
 <b>WICHTIG</b>	<p>Das ist ein kombiniertes Dokument. Bitte stellen Sie sicher, dass die beiden Bedienungsanleitungen einschließlich der leeren Seiten getrennt und separat gedruckt werden.</p> <p><b>DIESE SEITE BITTE NICHT DRUCKEN.</b></p>
 <b>ВАЖНО!</b>	<p>Это объединённый документ. Разделите руководство по эксплуатации и руководство по технике безопасности, а затем распечатайте их по отдельности, включая пустые листы.</p> <p><b>НЕ ПЕЧАТАЙТЕ ЭТУ СТРАНИЦУ.</b></p>
 <b>IMPORTANT</b>	<p>Acesta este un document combinat. Asigurați-vă că cele două manuale de instrucțiuni sunt create separat și tipărite individual, inclusiv paginile libere.</p> <p><b>NU TIPĂRIȚI ACEASTĂ PAGINĂ.</b></p>
 <b>IMPORTANTE</b>	<p>Este es un documento combinado. Asegúrese de que ambos manuales de instrucciones se separen y se imprimen por separado, incluyendo las páginas en blanco.</p> <p><b>NO IMPRIMA ESTA PÁGINA.</b></p>
 <b>IMPORTANTE</b>	<p>Isto é um conjunto de documentos. Verifique se os dois manuais de instruções estão separados e são impressos separadamente, incluindo as páginas em branco.</p> <p><b>POR FAVOR NÃO IMPRIMA ESTA PÁGINA.</b></p>
 <b>ÖNEMLİ</b>	<p>Bu, birleştirilmiş bir belgedir. Lütfen iki kullanma kılavuzunun ayrılıp boş sayfalar dahil edilerek ayrı olarak yazdırıldığından emin olun.</p> <p><b>LÜTFEN BU SAYFAYI YAZDIRMAYIN.</b></p>



CLCGS60 3663602842590  
 CLCGB60 3663602842606  
 CLCGS90 3663602842613

CLCGB90 3663602842620  
 CLCGS70 3663602842774  
 CLCGB70 3663602691761

V60920 BX220IM



SEPARATIONS	JOB INFO	
 PROCESS BLACK	PID #: 00001	Brand: Cooke & Lewis
	Agency job #: GLOA10325	Brand Contact: Emma.Richardson@kingfisher.com
	Product Description: SMV4	Barcode: 3663602842590/3663602842606/ 3663602842613/3663602842620/ 3663602842774/3663602691761
	100000028-100000031-100000047	Vendor: Global Asian
	Chimney V1	No. of new line drawings: xx
		Page size A5 / No. of printed pages 80
<b>VERSION #</b> <div style="display: flex; justify-content: space-around; align-items: center;"> <span style="border: 1px solid black; border-radius: 50%; padding: 2px;">1</span> <span style="border: 1px solid black; border-radius: 50%; padding: 2px;">R</span> <span style="border: 1px solid black; border-radius: 50%; padding: 2px;">3</span> <span style="border: 1px solid black; border-radius: 50%; padding: 2px;">4</span> <span style="border: 1px solid black; border-radius: 50%; padding: 2px;">5</span> <span style="border: 1px solid black; border-radius: 50%; padding: 2px;">6</span> <span style="border: 1px solid black; border-radius: 50%; padding: 2px;">7</span> <span style="border: 1px solid black; border-radius: 50%; padding: 2px;">8</span> </div>		
	06/02/18 AM	08/02/18 TJB
	00/00/18 INITIALS	00/00/18 INITIALS
	00/00/18 INITIALS	00/00/18 INITIALS
	00/00/18 INITIALS	00/00/18 INITIALS
	00/00/18 INITIALS	00/00/18 INITIALS
This file is the property of Kingfisher Group Plc. No copying, alteration or amendment is permitted without written authorisation from the Kingfisher Brand Team.		
翠丰集团不会以专色(PMS)作参考，请参照已提供的印刷标准及Lab色彩数值生产以符合印刷品之标准。 本文件的版权归翠丰集团所有。未经翠丰品牌团队的书面同意，不得对本文件进行复制、变更或修改。		

		✓

## Checking instructions

**These instructions are for your safety. Please read the following instructions carefully before proceeding with the installation and use of this appliance.**

**WARNING:** All installation work must be carried out by a suitably qualified person, strictly following local building regulations and these instructions.

To avoid the risks that are always present when you use an electrical appliance it is important that this cooker hood is installed correctly and that you read the safety instructions carefully to avoid misuse and hazards. After unpacking the cooker hood please check that it is not damaged. If in doubt, do not use the appliance but contact Customer Services on 0800 324 7818 (UK) and 1-800 932 230 (Eire).

Check the package and make sure you have all of the parts listed and decide upon the appropriate location for your product. If this product contains glass please take care with fitting or handling to prevent personal injury or damage to the product. The specification plate shown on this appliance displays all the necessary identification information for ordering replacement parts. If you sell the appliance, give it away, or leave it behind when you move house, please ensure that you pass on this manual so that the new owner can become familiar with the appliance and its safety warnings.

## Safety

- ✓ **WARNING:** There is a risk of electric shock and fire if cleaning is not carried out in accordance with these instructions.
- ✓ **WARNING:** Where applicable, this appliance is supplied with fixings. Please ensure you use the correct fixings suitable for the substrate where the appliance will be installed and that they are able to support the weight of the appliance.

- ☑ **WARNING:** Use only the same size of fittings and mounting screws as recommended in this instruction manual. Failure to follow these instructions may result in electrical hazards.
- ☑ **WARNING:** Switch off the appliance at the mains supply before carrying out any maintenance work or cleaning.
- ☑ **WARNING:** Accessible parts may become hot when used with cooking appliances. Young children should be kept away. Care should be taken to avoid touching the appliance.
- ☑ **WARNING:** Do not flambé under the hood. To avoid the risk of fire, clean or replace the grease filter regularly and closely monitor pans containing hot oil.
- ☑ **WARNING:** Means for full disconnection must be incorporated in the fixed wiring in accordance with the local wiring installation rules for your country. An all-pole disconnection switch having a contact separation of at least 3mm in all poles should be connected during installation.
- ☑ **WARNING:** When the extractor hood is located above an appliance, the minimum distance between the supporting surface for the cooking vessels on the hob and the lowest part of the hood shall be at least 760mm.
- ☑ **WARNING:** Before connecting the hood, check that the supplied voltage and frequency match with that indicated on the appliance rating plate. Failure to install the appliance in accordance with these instructions may result in a safety hazard. If in doubt, ask for advice instore or from a qualified installer.
- ☑ **WARNING:** Consult local regulations regarding extraction outlets and ensure these are complied with. Do not connect the hood to a ventilation or hot air duct containing combustion fumes from burning gas or other fuels. Confirm that room ventilation is appropriate with the local authorities.
- ☑ **WARNING:** The hood may stop working during an electrostatic discharge (e.g. lightning). This involves no risk of damage. Switch off the electricity supply to the hood and reconnect after one minute.



- ☑ **WARNING:** This appliance can be used by children aged from 8 years and above and persons with reduced physical, sensory or mental capabilities or lack of experience and knowledge if they have been given supervision or instruction concerning use of the appliance in a safe way and understand the hazards involved. Children shall not play with the appliance. Cleaning and user maintenance shall not be made by children without supervision. Keep the appliance and its supply cord out of the reach of children less than 8 years old.
- ☑ If the supply cord is damaged, it must be replaced by the manufacturer, its service agent or similarly qualified persons in order to avoid a safety hazard.
- ☑ Do not install the appliance outdoors in a damp place or in an area which may be prone to water leaks such as under or near a sink unit. In the event of a water leak affecting the appliance, do not use and contact customer services to arrange for inspection.
- ☑ Do not use flammable sprays in close vicinity to the appliance.
- ☑ Please dispose of the packing material carefully. There is a fire risk if cleaning is not carried out in accordance with the instructions. Refer to the Care and Maintenance sections carefully for details on how to clean and replace the aluminium and carbon filters (if fitted).
- ☑ Refer to the Care and Maintenance section for details on the type of lamps that can be used and how to replace them.
- ☑ Do not use a steam cleaner for care and maintenance.
- ☑ The appliance is not intended to be operated by means of an external timer or separate remote control system.
- ☑ There shall be adequate ventilation of the room when the hood is used at the same time as appliances burning gas or other fuels. Ensure that the negative pressure of the installation site does not exceed 4 Pa (0.04 mbar) to ensure combustion fumes are not drawn back into the room.
- ☑ Do not use the hood if it shows signs of damage or imperfection. Contact customer services for assistance.

☑ The manufacturer declines all liability for personal or material damage as a result of misuse or incorrect installation of this appliance.

☑ The appliance is for domestic use only as an extractor hood.

## Installation

All installation must be carried out by a competent person or qualified electrician. Before connecting the mains supply ensure that the mains voltage corresponds to the voltage on the rating plate.

### Direct Connection

The appliance must be connected directly to the mains using an omnipolar circuit breaker with a minimum opening of 3mm between the contacts.

The installer must ensure that the correct electrical connection has been made and that it complies with the wiring diagram.

The cable must not be bent or compressed.

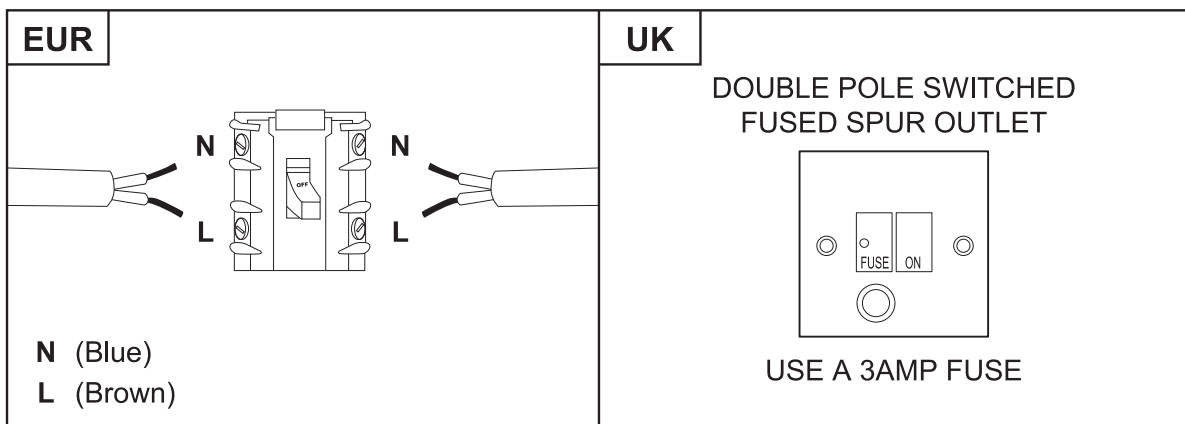
Regularly check the power plug and power cord for damage. If the supply cord is damaged, it must be replaced by a special cord or assembly available from the manufacturer or its service agent.

**WARNING: This is a Class II appliance and MUST NOT be earthed**

This appliance is supplied with a 2 core mains cable coloured as follows:

Brown = L or Live

Blue = N or Neutral.



**The fuse must be rated at 3 Amps.**

To avoid the risks that are always present when you use an electrical appliance it is important that this appliance is installed correctly and that you read the safety instructions carefully to avoid misuse and hazards. Please keep this instruction booklet for future reference and pass it on to any future owners. After unpacking the appliance please check that it is not damaged. If in doubt, do not use the appliance but contact Customer Services.

The manufacturer declines all liability for damage caused to persons and objects due to incorrect or improper installation of the appliance. Any permanent electrical installation must comply with the latest wiring regulations applicable to your country and for your own safety a qualified electrician or contractor should undertake the electrical installation.

The appliance is supplied from the factory to use external ducting (not supplied). Should you wish to use this in recirculation mode only, please fit the correct carbon filter (not supplied).

## Technical data

Supply voltage	220-240V~, 50Hz
Power consumption - Fan	95W
Power consumption - Luminary	1 x 5.5W Max
Power consumption - Total	100.5W
Protection class	II
Light bulb	Max. 5.5W (E14)
ILCOSD Code	DBL-5.5-H-E14-35/102

### Information for EU No. 66/2014 and No. 65/2014

#### A. Information of the cooker hood ([www.diy.com](http://www.diy.com))

	Symbol	Value	Unit
Model Identification	CLCGS60 / CLCGB60 / CLCGS90 / CLCGB90 / CLCGS70 / CLCGB70		
Annual Energy Consumption	AEC hood	46.6	KWh/a
Time increase factor	f	1.6	
Fluid Dynamic Efficiency	FDE hood	9.8	
Energy Efficiency Index	EEI hood	79.8	
Measured air flow rate at best efficiency point	Q BEP	208.6	M <sup>3</sup> /h
Measured air pressure at best efficiency point	P BEP	123	PA
Maximum air flow	Q MAX	338.7	M <sup>3</sup> /h
Air flow in normal use		Highest setting: 341 Lowest setting: 195	M <sup>3</sup> /h
Measured electric power input at best efficiency point	W BEP	72.9	W
Nominal power of the lighting system	W L	5.5	W
Average illumination of the lighting system on the cooking surface	E middle	46	lux
Lighting Efficiency	LE hood	8.4	lux/watt
Measured power consumption in standby mode	P s	–	W
Measured power consumption off mode	P o	0	W
Sound power level	L WA	Max.62 / Min. 58	dB
Grease Filtering Efficiency	GFE hood	74.6	%

The measurement and calculation method of the above table was done in accordance with Commission Delegated Regulation (EU) No 65/2014 & Commission Regulation (EU) No 66/2014.

**B. The following shows how to reduce total environmental impact (e.g. energy use) of the cooking process.**

1. Install the cooker hood in a proper place where there is efficient ventilation.
2. Clean the cooker hood regularly so as not to block the airway.
3. Remember to switch off the cooker hood light after cooking.
4. Remember to switch off the cooker hood after cooking.

**C. Information for dismantling.**

This appliance cannot be dismantled by the user, other than that as shown in the original assembly of the user manual.

At the end of its useful life, the appliance should not be disposed of with household waste. Check with your local governmental authority, domestic waste disposal services or the retailer where the product was bought for recycling advice.

## Trouble shooting

Problem	Possible cause	Solution
Excessive vibration.	The appliance is not installed properly on the brackets.	Take down the appliance and check it is properly fixed.
	The fan blade is damaged.	Switch off the appliance. Repair to be carried out by qualified service personnel only.
	The fan motor is not fixed tightly.	
The light is on, but the fan does not work.	The fan blade is jammed.	
Both the light and motor do not work.	The motor is damaged.	Replace with a bulb of the correct rating.
	Light bulb blown.	
Suction performance reduced.	Power connection loose.	Check power supply.
	Speed may be too low.	Select a higher speed.
	Aluminium filters are dirty.	Clean the aluminium filters. (See Care and maintenance section).
	Top vent might be obstructed.	Clear any obstruction.
	Optional vent kit might be twisted.	Ensure that the vent kit is fitted according to the manufacturer's instructions.
Works normally but cooking smells linger.	The installation may not comply with the manufacturers instructions.	The vent hose should be correct diameter throughout with no reductions or restriction.(See installation section).
	Carbon filter is not fitted in recirculation mode or is full of grease.	Fit carbon filter or replace the carbon filter (See Care and maintenance section).

This appliance respects laws of the suppression of radio interference. As the Manufacturer has a policy of continuous product improvement, it reserves the right to adapt and carry out any modification considered necessary without prior warning.

## Commercial guarantee

At Cooke and Lewis we take special care to select high quality materials and use manufacturing techniques that allow us to create ranges of products incorporating design and durability. That's why we offer a 24 months' guarantee against manufacturing defects on our curved glass hood.

This curved glass hood is guaranteed for 24 months from the date of purchase, if bought in store, or delivery, if bought online, for normal (non-professional or commercial) household use. You may only make a claim under this guarantee upon presentation of your sales receipt or purchase invoice. Please keep your proof of purchase in a safe place.

The guarantee covers all parts and labour costs associated with the repair of the curved glass hood if it is found to be defective due to faulty materials or workmanship within 24 months from the date of purchase or delivery subject to the exclusions set out below and provided it was used for the purpose for which it is intended and subject to installation, cleaning, care and maintenance in accordance with the information contained in the user manual. This guarantee does not cover defects and damage caused by normal wear and tear of curved glass hood and damage that could be the result of improper use, faulty installation, storage or assembly, neglect, accident, modification of the product, consumable items such as carbon filters and bulbs.

If the curved glass hood is defective, we will repair it. However, if, during the guarantee period, the curved glass hood becomes irreparable as agreed by an engineer approved by our authorised agent then we reserve the right, at our discretion, to exchange the defective curved glass hood with a replacement curved glass hood. If the same curved glass hood is no longer available an alternative curved glass hood will be offered with the equivalent functions and specifications.

During the service work carried out it may be necessary to remove the built in curved glass hood from its fitted position. If the curved glass hood is glued, grouted or tiled in such a manner that it cannot be removed, it is the responsibility of the customer/installer to remove and reinstall the curved glass hood to facilitate the repair or replacement.

After the curved glass hood has been repaired or replaced any remaining balance of the guarantee period will apply to the repaired or replaced curved glass hood.

Should any person other than an engineer approved by our authorised agent modify or attempt to repair the curved glass hood then the guarantee will be invalid. This guarantee only applies to the country of purchase or delivery and is not transferrable to any other countries. This guarantee is non-transferrable to any other person or product. Relevant local law will apply to this guarantee. This guarantee is in addition to and does not affect your statutory rights relating to faulty goods as a consumer.

Guarantee related queries should be addressed to a store affiliated with the distributor you purchased the curved glass hood from.

To arrange a service call, please contact our customer services on one of the following Toll Free numbers, you must contact the number in the country in which you purchased the curved glass hood:

UK 0800 324 7818 uk@kingfisherservice.com

Eire 1-800 932 230 eire@kingfisherservice.com

## Recycling & disposal

Waste electrical products (WEEE) should not be disposed of with household waste.

Please recycle where facilities exist. Check with your local governmental authority, domestic waste disposal services or the retailer where the product was bought for recycling advice.

The wheellie bin symbol on the product or its packaging indicates that this product cannot be treated as normal household waste. This product must be handed over to an electric and electronic equipment collection point for recycling. On ensuring that this product is disposed of correctly, you will help to avoid possible negative consequences for the environment and public health, which could occur if this product is not handled correctly.



FR

## Instructions de contrôle

**Ces instructions sont données pour votre sécurité. Lire attentivement les instructions suivantes avant de procéder à l'installation et d'utiliser cet appareil.**

**AVERTISSEMENT** : toutes les installations doivent être effectuées par une personne dûment qualifiée, en suivant rigoureusement les instructions du fabricant.

Afin de prévenir les risques, toujours présents lors de l'utilisation d'un appareil électrique, il est important que cette hotte aspirante soit correctement installée et de lire les instructions de sécurité soigneusement en vue d'empêcher tout danger ou mauvaise utilisation. Après avoir retiré l'emballage de la hotte aspirante, vérifier qu'elle n'est pas endommagée. En cas de doute, ne pas utiliser l'appareil, contacter le service client au 0805 114 951.

Contrôler l'emballage et s'assurer de disposer de toutes les pièces répertoriées, puis décider du bon emplacement du produit. Si ce produit comporte du verre, rester prudent lors du montage ou de la manipulation pour éviter toute blessure ou dommage du produit. Cette plaque signalétique, placée sur l'appareil, affiche toutes les informations d'identification nécessaires pour commander des pièces de rechange. Si vous vendez l'appareil, si vous le donnez ou si vous le laissez lors de votre déménagement, s'assurer de transmettre ce manuel de façon à ce que le nouveau propriétaire puisse se familiariser avec l'appareil et les avertissements de sécurité.



## Sécurité

- ☑ **AVERTISSEMENT** : un risque de choc électrique ou d'incendie peut survenir si le nettoyage n'est pas effectué conformément à ces instructions.
- ☑ **AVERTISSEMENT** : l'appareil est fourni avec des fixations, le cas échéant. Lors de l'installation de l'appareil, s'assurer d'utiliser les fixations appropriées au substrat et qu'elles sont en mesure de supporter le poids de l'appareil.
- ☑ **AVERTISSEMENT** : n'utiliser que des raccords et des vis de fixation de même taille tels que recommandés dans ce manuel d'instructions. Le non-respect de ces instructions peut être à l'origine de dangers électriques.
- ☑ **AVERTISSEMENT** : éteindre l'appareil en débranchant le câble d'alimentation avant d'effectuer tout entretien ou nettoyage.
- ☑ **AVERTISSEMENT** : des parties accessibles peuvent devenir chaudes lorsqu'elles sont utilisées avec des appareils de cuisson. Il convient d'éloigner les jeunes enfants. Veiller à éviter tout contact avec l'appareil.
- ☑ **AVERTISSEMENT** : ne pas flamber d'aliments sous la hotte. Afin d'éviter tout risque d'incendie, nettoyer ou remplacer le filtre à graisse régulièrement et surveiller de près les casseroles contenant de l'huile chaude.
- ☑ **AVERTISSEMENT** : des moyens de déconnexion totale doivent être incorporés dans le câblage fixe conformément aux réglementations locales relatives à l'installation électrique de votre pays. Il convient de connecter un interrupteur de déconnexion omnipolaire comportant un écart de séparation d'au moins 3 mm pour tous les pôles, lors de l'installation.
- ☑ **AVERTISSEMENT** : lorsque la hotte aspirante est placée au-dessus d'un appareil, la distance minimale, entre la surface support des récipients de cuisson sur la plaque de cuisson et la partie la plus basse de la hotte, doit être d'au moins 760 mm.
- ☑ **AVERTISSEMENT** : avant de brancher la hotte, vérifier que la tension de secteur et la fréquence correspondent à ce qui est



indiqué sur la plaque signalétique de l'appareil. Le non-respect de l'installation de l'appareil conformément aux présentes instructions peut être à l'origine d'un danger électrique. En cas de doute, demander conseil en magasin ou à un installateur qualifié.

- ☑ **AVERTISSEMENT** : consulter les réglementations locales concernant les sorties d'extraction et s'assurer que les sorties respectent ces réglementations. Ne pas brancher la hotte sur un conduit de ventilation ou d'air chaud aspirant des fumées de combustion provenant de gaz combustible ou d'autres combustibles. S'assurer que la ventilation de la pièce est effectuée conformément à ce qui est exigé par les autorités locales.
- ☑ **AVERTISSEMENT** : la hotte peut s'arrêter lors d'une décharge électrostatique (par exemple, un éclair). Ceci ne risque pas de causer des dommages. Couper l'alimentation électrique de la hotte et la rebrancher après une minute.
- ☑ **AVERTISSEMENT** : cet appareil peut être utilisé par un enfant de 8 ans ou plus et par des personnes à capacités physiques, sensorielles ou mentales réduites ou avec un manque d'expérience ou de connaissances, s'ils sont sous surveillance ou si des instructions concernant l'utilisation en toute sécurité leur ont été données et qu'ils ont compris les risques encourus. Les enfants ne doivent pas jouer avec l'appareil. Le nettoyage et l'entretien ne doivent pas être effectués par des enfants sans surveillance. Garder l'appareil et son câble d'alimentation hors de la portée des enfants de moins de 8 ans.
- ☑ Si le cordon d'alimentation est endommagé, il doit être remplacé par le fabricant, son prestataire de service ou une personne qualifiée afin d'éviter tout risque pour la sécurité.
- ☑ Ne pas installer l'appareil à l'extérieur, dans un endroit humide ou dans une zone pouvant présenter des fuites d'eau, par exemple, sous ou près d'un évier. En cas de fuite d'eau pouvant endommager l'appareil, ne pas utiliser l'appareil et contacter le service client pour organiser une inspection.
- ☑ Ne pas utiliser d'aérosols à proximité de l'appareil.

- ☑ Jeter l'emballage avec soin. Un risque d'incendie peut survenir si le nettoyage n'est pas effectué conformément aux instructions. Se référer à la section Entretien pour obtenir des détails sur la façon de nettoyer et de remplacer les filtres à charbon et en aluminium (si la hotte en est équipée).
- ☑ Se référer à la section Entretien pour obtenir des détails sur le type d'ampoules pouvant être utilisées et comment les remplacer.
- ☑ Ne pas utiliser de nettoyeur vapeur pour l'entretien.
- ☑ Cet appareil n'est pas prévu pour être mis en marche au moyen d'une minuterie externe ou d'un système de contrôle à distance autonome.
- ☑ La pièce doit être bien ventilée lorsque la hotte fonctionne en même temps que des appareils utilisant un gaz combustible ou d'autres combustibles. S'assurer que la pression négative du lieu d'installation n'excède pas 4 Pa (0,04 mbar) afin de garantir que les fumées de combustion ne sont pas renvoyées dans la pièce.
- ☑ Ne pas utiliser la hotte si elle montre des signes de détérioration ou d'imperfection. Contacter le service client pour obtenir une assistance.
- ☑ Le fabricant décline toute responsabilité en cas de dommages personnels ou matériels en cas de mauvaise utilisation ou de mauvaise installation de cet appareil.
- ☑ L'appareil est une hotte aspirante, destinée à une utilisation domestique uniquement.

## Installation

Toute l'installation doit être effectuée par une personne compétente ou un électricien qualifié. Avant de raccorder le câble d'alimentation, s'assurer que la tension de secteur correspond à la tension indiquée sur la plaque signalétique.

### Raccordement direct

L'appareil doit être raccordé directement au secteur à l'aide d'un disjoncteur omnipolaire avec une ouverture minimale de 3 mm entre les contacts.

L'installateur doit s'assurer que le bon raccordement électrique a été effectué et qu'il respecte le schéma de câblage.

Le câble ne doit pas être tordu ou comprimé.

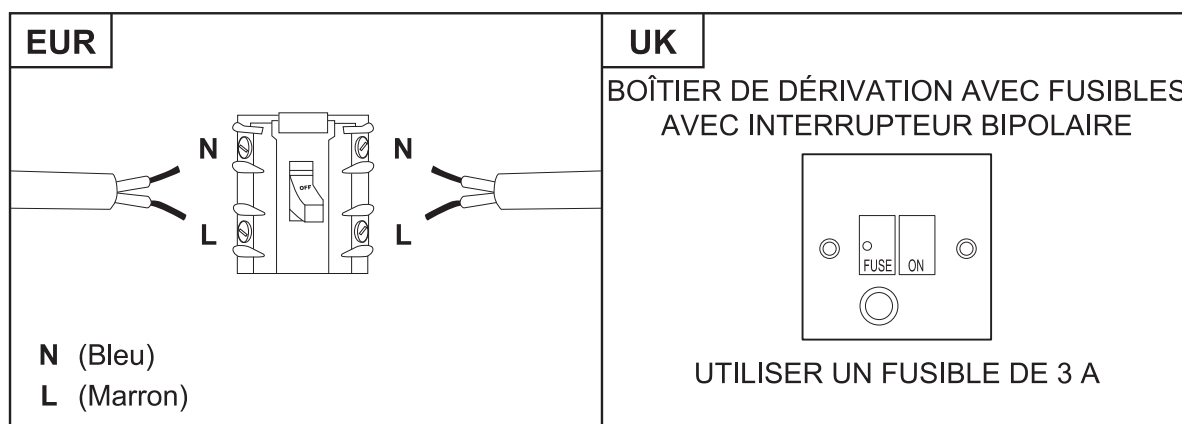
Vérifier régulièrement la présence de dommages sur le cordon d'alimentation et la prise électrique. Si le cordon d'alimentation est endommagé, il doit être remplacé par un cordon spécial ou un ensemble prévu à cet effet, disponible auprès du fabricant ou son prestataire de service.

**AVERTISSEMENT : il s'agit d'un appareil de Classe 2. Il NE DOIT PAS être raccordé à la terre**

Cet appareil est livré avec un câble secteur à 2 conducteurs, présentant les couleurs suivantes :

Marron = L ou Phase

Bleu = N ou Neutre.



**Le fusible doit être de 3 A.**

Afin de prévenir les risques, toujours présents lors de l'utilisation d'un appareil électrique, il est important que cet appareil soit correctement installé et de lire les instructions de sécurité soigneusement en vue d'empêcher tout danger ou mauvaise utilisation. Veiller à conserver ce manuel d'instructions pour référence ultérieure et à le transmettre à tout futur propriétaire. Après avoir retiré l'emballage de l'appareil, vérifier qu'il n'est pas endommagé. En cas de doute, ne pas utiliser l'appareil, contacter le service client par téléphone.

Le fabricant décline toute responsabilité en cas de dommages personnels ou matériels causés par une mauvaise utilisation ou installation de cet appareil. Toute installation permanente doit être conforme aux dernières réglementations de câblage applicables dans votre pays et, pour votre propre sécurité, il convient qu'un électricien qualifié ou un entrepreneur effectue l'installation électrique.

L'appareil fourni par l'entreprise a été conçu pour utiliser un conduit d'évacuation externe (non fourni). Si vous souhaitez utiliser le mode de recyclage uniquement, équiper la hotte du filtre à charbon approprié (non fourni).

## Données techniques

Tension d'alimentation	220-240V~, 50Hz
Consommation d'énergie - Ventilateur	95W
Consommation d'énergie - Éclairage	1 x 5,5W max
Consommation d'énergie - Totale	100,5W
Classe de protection	II
Ampoule	Max. 5,5W (E14)
Code ILCOSD	DBL-5.5-H-E14-35/102

### Informations concernant l'UE N° 66/2014 et N° 65/2014

#### A. Informations concernant la hotte aspirante (www.diy.com)

	Symbole	Valeur	Unité
Identification du modèle	CLCGS60 / CLCGB60 / CLCGS90 / CLCGB90 / CLCGS70 / CLCGB70		
Consommation d'énergie annuelle	AEC hotte	46.6	KWh/a

	<b>Symbole</b>	<b>Valeur</b>	<b>Unité</b>
Facteur d'accroissement dans le temps	f	1.6	
Efficacité fluidodynamique	FDE hotte	9.8	
Indice d'efficacité énergétique	EEI hotte	79.8	
Débit d'air mesuré au point de rendement maximal	Q BEP	208.6	M <sup>3</sup> /h
Pression d'air mesurée au point de rendement maximal	P BEP	123	PA
Débit d'air maximal	Q MAX	338.7	M <sup>3</sup> /h
Débit d'air en utilisation normale		Réglage maximal : 341 Réglage minimal : 195	M <sup>3</sup> /h
Puissance électrique à l'entrée mesurée au point de rendement maximal	W BEP	72.9	W
Puissance nominale du système d'éclairage	W L	5.5	W
Éclairage moyen du système d'éclairage sur la surface de cuisson	E moyen	46	lux
Efficacité lumineuse	LE hotte	8.4	lux/watt
Consommation d'électricité mesurée en mode « veille »	P s	–	W
Consommation d'électricité mesurée en mode arrêt	P o	0	W
Niveau de puissance acoustique	L WA	Max.62 / min. 58	dB
Efficacité de filtration des graisses	GFE hotte	74.6	%

Les méthodes de mesures et de calcul du tableau ci-dessus ont été données conformément au règlement délégué de la Commission (UE) N° 66/2014 et au règlement (EU) N° 66/2014 de la Commission.

#### **B. Ce qui suit explique comment réduire l'impact environnemental (par exemple, utilisation de l'énergie) du processus de cuisson.**

1. Installer la hotte aspirante à un endroit approprié, où la ventilation est suffisante.
2. Nettoyer la hotte aspirante régulièrement de manière à ne pas bloquer le conduit d'air.
3. Ne pas oublier d'éteindre l'éclairage de la hotte aspirante après la cuisson.
4. Ne pas oublier d'éteindre la hotte aspirante après la cuisson.

#### **C. Informations concernant le démontage.**

Cet appareil ne peut pas être démonté par l'utilisateur d'une autre manière que celle utilisée lors du montage initial présenté dans le manuel d'utilisation.

À la fin de sa durée de vie d'utilisation, il convient de ne pas jeter l'appareil dans les déchets ménagers. Consulter vos autorités gouvernementales locales, les services d'enlèvement des

ordures ménagères ou le revendeur chez qui vous avez acheté le produit, pour obtenir des conseils de recyclage.

## Résolutions des pannes

Problème	Cause possible	Solution
Vibration excessive.	L'appareil n'est pas installé correctement sur les supports.	Déposer l'appareil et vérifier qu'il est correctement fixé.
	La pale du ventilateur est endommagée.	Éteindre l'appareil. La réparation doit être effectuée uniquement par un personnel qualifié.
	Le moteur du ventilateur n'est pas fermement fixé.	
Le voyant est allumé, mais le ventilateur ne fonctionne pas.	La pale du ventilateur est bloquée. Le moteur est endommagé.	
Le voyant et le moteur ne fonctionnent pas.	L'ampoule est cassée.	Remplacer par une ampoule de puissance adéquate.
	Connecteur électrique lâche.	Vérifier l'alimentation secteur.
Mauvaise performance d'aspiration.	La vitesse peut être trop lente.	Sélectionner une vitesse supérieure.
	Les filtres en aluminium sont sales.	Nettoyer les filtres en aluminium. (Voir la section Entretien).
	L'évacuation du dessus est peut être obstruée.	Dégager toute obstruction.
	Le kit d'évacuation en option est peut être déformé.	S'assurer que le kit d'évacuation est fixé conformément aux instructions du fabricant.
	L'installation doit être conforme aux instructions du fabricant.	Il convient que le tuyau d'aération soit d'un diamètre correct et uniforme sans réduction ou restriction. (Voir la section Installation).
Le fonctionnement est normal mais des odeurs de cuisson subsistent.	Le filtre à charbon n'est pas équipé d'un mode de recyclage ou est rempli de graisse.	Placer un filtre à charbon ou remplacer le filtre à charbon (Voir la section Entretien).

Cet appareil respecte les lois de suppression des parasites radioélectriques. Étant donné que le fabricant suit une politique d'amélioration continue du produit, il se réserve le droit d'adapter et d'apporter toute modification jugée nécessaire sans avertissement préalable.

## Garantie commerciale

Chez Cooke and Lewis, nous veillons tout particulièrement à sélectionner des matériaux de haute qualité et à utiliser des techniques de fabrication qui nous permettent de créer des gammes de produits à la fois design et durables. Pour cette raison, nous offrons une garantie de 24 mois contre les défauts de fabrication de notre article, Hotte en verre incurvé.

Cet article, Hotte en verre incurvé, est garanti pendant 24 mois à compter de la date d'achat, en cas d'achat en magasin, en cas de livraison, en cas d'achat sur Internet, pour une utilisation domestique normale (non commerciale, ni professionnelle). Toute réclamation dans le cadre de cette garantie se fera sur présentation du ticket de caisse ou de la facture d'achat. Veuillez conserver votre preuve d'achat dans un lieu sûr.



La garantie couvre la totalité des pièces et des frais de main-d'œuvre associés à la réparation de l'article, Hotte en verre incurvé, s'il s'avère défectueux en raison de matériaux défectueux ou d'une malfaçon dans les 24 mois à partir de la date d'achat ou de livraison, sous réserve des exclusions exposées ci-après, d'une utilisation conforme à l'usage prévu et d'une installation, d'un nettoyage et d'un entretien conformes aux informations contenues dans le manuel d'utilisation. Cette garantie ne couvre pas les défauts et les dommages causés par l'usure et la détérioration normales de l'article, Hotte en verre incurvé, les dommages pouvant résulter d'une utilisation inappropriée, d'une installation, d'un stockage ou d'un montage inadéquat(e), d'une négligence, d'un accident ou d'une modification du produit ou des articles consommables, tels que les filtres à charbon et les ampoules. La garantie est limitée aux pièces reconnues défectueuses.

Si l'article, Hotte en verre incurvé, est défectueux, nous le réparerons. Cependant, si pendant la durée de la garantie, un technicien approuvé par notre agent agréé estime que l'article, Hotte en verre incurvé, n'est pas réparable, nous nous réservons le droit, à notre seule discrétion, d'échanger l'article, Hotte en verre incurvé, défectueux par un article, Hotte en verre incurvé, de remplacement. Si le même article, Hotte en verre incurvé, n'est plus disponible, un autre article, Hotte en verre incurvé, avec des fonctions et des spécifications équivalentes, sera proposé.

Lors de l'intervention, il peut s'avérer nécessaire de retirer l'article, Hotte en verre incurvé, de sa position de fixation. Si l'article, Hotte en verre incurvé, ne peut être retiré en raison de la présence de colle, de joints ou de carrelage, il est alors de la responsabilité du client/de l'installateur de retirer et de réinstaller l'article, Hotte en verre incurvé, afin de permettre la réparation ou le remplacement.

Une fois que l'article, Hotte en verre incurvé, a été réparé ou remplacé, la durée restant à courir de la garantie s'applique à l'article, Hotte en verre incurvé, réparé ou remplacé.

Si une personne autre que le technicien approuvé par notre agent agréé modifie ou tente de réparer l'article, Hotte en verre incurvé, la garantie perd sa validité. La garantie ne s'applique qu'au pays dans lequel l'achat ou la livraison a été effectué(e) et n'est pas transférable à d'autres pays. La garantie n'est pas transférable à une autre personne ou à un autre produit. Cette garantie est soumise à la législation locale applicable. Cette garantie s'ajoute à vos droits statutaires concernant les biens de consommation défectueux, sans les affecter.

Toute demande au titre de la garantie doit être adressée à un magasin affilié au distributeur auprès duquel vous avez acheté l'article, Hotte en verre incurvé. Pour organiser une intervention, contactez le service client à l'aide de l'un des numéros d'appel gratuits suivants. Vous devez saisir le numéro qui correspond au pays dans lequel vous avez acheté l'article, Hotte en verre incurvé :

France      0805 114 951      [france@kingfisherservice.com](mailto:france@kingfisherservice.com)

[Le distributeur auprès duquel vous avez acheté l'article, Hotte en verre incurvé, répond de tout défaut de conformité ou vice caché de l'article, Hotte en verre incurvé, conformément aux clauses suivantes :

#### Article L217-4 du Code de la consommation

Le vendeur doit livrer un bien conforme au contrat et répond des défauts de conformité existant lors de la livraison.

Il répond également des défauts de conformité résultant de l'emballage, des instructions de montage ou de l'installation lorsque celle-ci a été mise à sa charge par le contrat ou a été réalisée sous sa responsabilité.

#### Article L217-5 du Code de la consommation

Le bien est conforme au contrat :

1. S'il est propre à l'usage habituellement attendu d'un bien semblable et, le cas échéant :

- s'il correspond à la description donnée par le vendeur et possède les qualités que celui-ci a présentées à l'acheteur sous forme d'échantillon ou de modèle ;

- s'il présente les qualités qu'un acheteur peut légitimement attendre eu égard aux déclarations publiques faites par le vendeur, par le fabricant ou par son représentant, notamment dans la publicité ou sur l'étiquetage ;

2. Ou s'il présente les caractéristiques définies d'un commun accord par les parties ou est propre à tout usage spécial recherché par l'acheteur, porté à la connaissance du vendeur et que ce dernier a accepté.

Article L217-12 du Code de la consommation

Toute réclamation suite à un défaut de conformité est limitée à deux ans à compter de la livraison du bien.

Article L217-16 du Code de la consommation

Lorsque l'acheteur demande au vendeur, pendant le cours de la garantie commerciale qui lui a été consentie lors de l'acquisition ou de la réparation d'un bien meuble, une remise en état couverte par la garantie, toute période d'immobilisation d'au moins sept jours vient s'ajouter à la durée de la garantie qui reste à courir.

Cette période court à compter de la demande d'intervention de l'acheteur ou de la mise à disposition pour réparation du bien en cause, si cette mise à disposition est postérieure à la demande d'intervention.

Article 1641 du Code civil

Le vendeur est tenu de la garantie en cas de défauts cachés de la chose vendue qui la rendent impropre à l'usage auquel on la destine, ou qui diminuent tellement cet usage que l'acheteur ne l'aurait pas acquise, ou n'en aurait donné qu'un moindre prix, s'il les avait connus.

Article 1648 du Code civil

Toute réclamation résultant des vices cachés doit être faite par l'acheteur dans un délai de deux ans à compter de la découverte du vice.

## Recyclage et mise au rebut

Les produits électriques usagés (WEEE) ne doivent pas être éliminés avec les déchets ménagers.

Recycler si des installations sont disponibles. Consulter vos autorités gouvernementales locales, les services d'enlèvement des ordures ménagères ou le revendeur chez qui vous avez acheté le produit, pour obtenir des conseils de recyclage.

Le symbole de la poubelle sur roues, sur le produit ou son emballage, indique que ce produit ne peut pas être traité comme un déchet ménager normal. Ce produit doit être remis à un point de collecte d'équipements électriques et électroniques pour être recyclé. En vous assurant que ce produit est éliminé correctement, vous permettrez d'éviter de possibles conséquences négatives sur l'environnement et la santé publique pouvant survenir si ce produit n'était pas manipulé correctement.





## Instrukcje dotyczące kontroli

Te instrukcje mają służyć Twojemu bezpieczeństwu.

**Należy dokładnie przeczytać następujące instrukcje przed rozpoczęciem montażu i użytkowania niniejszego urządzenia.**

**OSTRZEŻENIE:** Montaż musi zostać wykonany przez osobę posiadającą odpowiednie kwalifikacje, z zachowaniem pełnej zgodności z lokalnymi przepisami budowlanymi i informacjami zawartymi w niniejszej instrukcji obsługi.

Aby zminimalizować ryzyko, które jest związane z używaniem urządzenia elektrycznego, niezwykle ważne jest, aby okap kuchenny został prawidłowo zamontowany oraz aby użytkownik dokładnie zapoznał się z instrukcjami dotyczącymi bezpieczeństwa i uniknął nieprawidłowego użytkowania oraz zagrożeń. Po rozpakowaniu okapu kuchennego upewnić się, że nie jest on uszkodzony. W razie wątpliwości, nie należy używać urządzenia, ale skontaktować się z infolinią obsługi klienta pod numerem 800 121 2222

Sprawdzić zawartość opakowania i upewnić się, że zawiera części wymienione w specyfikacji oraz wybrać odpowiednie miejsce montażu produktu. Jeśli ten produkt zawiera szkło, podczas montażu i obsługi należy zachować ostrożność, aby uniknąć obrażeń ciała lub uszkodzeń produktu. Tabliczka znamionowa, znajdująca się na urządzeniu, przedstawia wszystkie informacje dotyczące specyfikacji potrzebne do zamówienia części zamiennych. W przypadku sprzedaży urządzenia, przekazania innym osobom lub pozostawienia w domu po wyprowadzeniu się, należy przekazać niniejszą instrukcję obsługi nowemu właścicielowi, aby umożliwić mu zaznajomienie się z urządzeniem i ostrzeżeniami dotyczącymi bezpieczeństwa.

## Bezpieczeństwo

- ☑ **OSTRZEŻENIE:** Istnieje ryzyko porażenia prądem elektrycznym lub wybuchu pożaru, jeśli prace związane z czyszczeniem nie są wykonywane zgodnie z niniejszymi instrukcjami.

- ✓ **OSTRZEŻENIE:** W stosownych przypadkach do urządzenia dołączone są mocowania. Należy upewnić się, że użyto mocowań odpowiednich do rodzaju podłoża, do którego urządzenie zostanie zamontowane oraz że są one w stanie utrzymać produkt.
- ✓ **OSTRZEŻENIE:** Używać wyłącznie mocowań i śrub mocujących o takim samym rozmiarze, jak te, które zostały podane w niniejszej instrukcji obsługi. Nieprzestrzeganie tych zaleceń może skutkować porażeniem prądem elektrycznym.
- ✓ **OSTRZEŻENIE:** Odłączyć urządzenie od gniazdka zasilania przed rozpoczęciem prac związanych z konserwacją lub czyszczeniem.
- ✓ **OSTRZEŻENIE:** Dostępne części mogą się nagrzewać w przypadku używania ich wraz z urządzeniami do gotowania. Małe dzieci nie powinny zbliżać się do urządzenia. Należy zachować ostrożność, aby nie dotykać urządzenia.
- ✓ **OSTRZEŻENIE:** Nie gotować płonących potraw pod okapem. Aby uniknąć ryzyka pożaru, należy regularnie czyścić lub wymieniać filtr odtłuszczający oraz ściśle nadzorować patelnie zawierające gorący olej.
- ✓ **OSTRZEŻENIE:** Element umożliwiający całkowite odłączenie urządzenia należy podłączyć do stałego okablowania zgodnie z lokalnymi przepisami dotyczącymi instalacji elektrycznej, obowiązującymi w danym kraju. Podczas montażu należy podłączyć wyłącznik wielobiegunowy, który zapewnia minimum 3 mm odległości na wszystkich biegunach.
- ✓ **OSTRZEŻENIE:** Jeśli okap kuchenny jest zamontowany nad urządzeniem, np. płytą grzewczą, minimalna odległość między powierzchnią, na której znajdują się naczynia na płycie, a najniższą częścią okapu powinna wynosić co najmniej 760 mm.
- ✓ **OSTRZEŻENIE:** Przed podłączeniem okapu należy sprawdzić, czy napięcie i częstotliwość zasilania są zgodne ze specyfikacją przedstawioną na tabliczce znamionowej urządzenia. Niezastosowanie się do zaleceń zawartych w instrukcji obsługi podczas montażu urządzenia może skutkować zagrożeniem bezpieczeństwa. W razie wątpliwości zasięgnąć rady w sklepie lub u wykwalifikowanego monter.

- ☑ **OSTRZEŻENIE:** Zapoznać się z lokalnymi przepisami dotyczącymi kanałów wentylacyjnych i upewnić się, że są one przestrzegane. Nie należy podłączać okapu do kanału wentylacyjnego lub kanału dystrybucji gorącego powietrza, zawierającego spaliny powstałe na skutek spalania gazu lub innych paliw. Należy skonsultować się z lokalnymi władzami, aby upewnić się, że wentylacja pomieszczenia jest odpowiednia.
- ☑ **OSTRZEŻENIE:** Okap może przestać działać podczas wyładowania elektrostatycznego (np. w przypadku burzy). Nie wiąże się to z ryzykiem uszkodzenia produktu. Należy wyłączyć zasilanie elektryczne okapu i włączyć ponownie po upływie jednej minuty.
- ☑ **OSTRZEŻENIE:** To urządzenie może być użytkowane przez dzieci w wieku powyżej 8 lat, osoby o obniżonej sprawności fizycznej, sensorycznej i umysłowej lub osoby nieposiadające wystarczającego doświadczenia albo wiedzy, pod warunkiem, że są one nadzorowane lub zostały poinstruowane o zasadach użytkowania urządzenia w bezpieczny sposób oraz rozumieją potencjalne zagrożenia. Dzieci nie powinny bawić się urządzeniem. Czynności związane z czyszczeniem i konserwacją nie powinny być wykonywane przez dzieci bez nadzoru. Trzymać urządzenie i przewód zasilania poza zasięgiem dzieci w wieku poniżej 8 lat.
- ☑ Jeśli dojdzie do uszkodzenia przewodu zasilania, powinien on zostać wymieniony przez producenta, przedstawiciela serwisowego lub inną osobę o podobnych kwalifikacjach, aby uniknąć zagrożeń bezpieczeństwa.
- ☑ Nie wolno montować urządzenia na zewnątrz w wilgotnym miejscu lub obszarze, który może być podatny na wycieki wody, np. pod lub w pobliżu zlewozmywaka. W przypadku przedostania się wody do urządzenia nie należy go używać. Skontaktować się z infolinią obsługi klienta w celu ustalenia terminu wizyty serwisowej.
- ☑ Nie używać sprayów łatwopalnych w pobliżu urządzenia.
- ☑ Należy odpowiednio zutilizować opakowanie. Istnieje ryzyko wybuchu pożaru, jeśli prace związane z czyszczeniem nie są wykonywane zgodnie z zaleceniami w instrukcji obsługi. Należy

dokładnie przeczytać rozdział 'Utrzymanie i konserwacja', aby dowiedzieć się więcej na temat sposobu czyszczenia i wymiany filtrów aluminiowych i węglowych (jeśli je zamontowano).

- ☑ Należy zapoznać się z rozdziałem 'Utrzymanie i konserwacja', aby uzyskać informacje dotyczące typu lampek przeznaczonych do urządzenia oraz sposobu ich wymiany.
- ☑ Do czyszczenia tego urządzenia nie należy stosować środków czyszczących aplikowanych pod wysokim ciśnieniem lub stosowanych przy użyciu myjki parowej.
- ☑ Urządzenie nie jest przeznaczone do obsługi za pomocą zewnętrznego regulatora czasowego lub systemu zdalnego sterowania.
- ☑ Podczas korzystania z okapu w pomieszczeniu powinna być zapewniona odpowiednia wentylacja, gdy włączone są urządzenia spalające gaz lub inne paliwa. Należy upewnić się, że podciśnienie instalacji nie przekracza 4 Pa (0,04 mbar), aby gazy spalinowe nie były zasysane z powrotem do pomieszczenia.
- ☑ Nie używać okapu, jeśli nosi on ślady uszkodzenia lub jest wadliwy. Skontaktować się z działem obsługi klienta w celu uzyskania pomocy.
- ☑ Producent nie ponosi żadnej odpowiedzialności za obrażenia ciała lub uszkodzenia mienia powstałe na skutek nieprawidłowego użytkowania lub montażu niniejszego urządzenia.
- ☑ Urządzenie jest przeznaczone wyłącznie do użytku w gospodarstwie domowym i pełni rolę okapu kuchennego w trybie wyciągowym.

## Montaż

Montaż musi zostać wykonany przez osobę kompetentną lub wykwalifikowanego elektryka. Przed podłączeniem do sieci upewnić się, czy parametry zasilania odpowiadają napięciu podanym na tabliczce znamionowej.

### Bezpośrednie podłączenie

Urządzenie należy bezpośrednio podłączyć do zasilania, korzystając z wyłącznika wielobiegunowego z minimalnym rozwarciem między stykami wynoszącym 3 mm.

Monter musi upewnić się, czy zapewnił prawidłowe połączenie elektryczne oraz czy jest ono zgodne ze schematem połączeń.

Przewód nie może być zgięty lub ściśnięty.

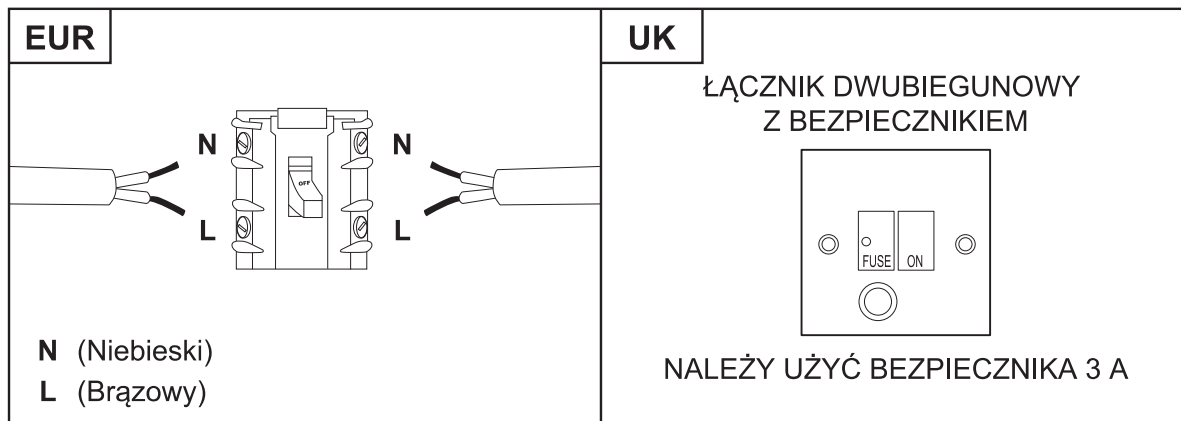
Należy regularnie sprawdzać wtyczkę i przewód zasilania pod kątem uszkodzeń. Jeśli przewód zasilania jest uszkodzony, należy go wymienić na specjalny przewód lub komplet dostępny u producenta lub w serwisie.

**OSTRZEŻENIE: Jest to urządzenie klasy II i NIE MOŻNA go uziemiać**

To urządzenie jest dostarczane z 2-żyłowym przewodem zasilania oznaczonym następującymi kolorami:

Brazowy = L lub Pod napięciem

Niebieski = N lub Neutralny.



**Należy zastosować bezpiecznik 3 A.**

Aby zminimalizować ryzyko, które jest związane z używaniem urządzenia elektrycznego, niezwykle ważne jest, aby produkt został prawidłowo zamontowany oraz aby użytkownik dokładnie zapoznał się z instrukcjami dotyczącymi bezpieczeństwa i uniknął nieprawidłowego użytkowania oraz zagrożeń. Należy zachować instrukcję obsługi w celu wykorzystania w przyszłości i przekazania jej kolejnym właścicielom. Po rozpakowaniu urządzenia upewnić się, że nie jest ono uszkodzone. W razie wątpliwości nie należy używać urządzenia, lecz skontaktować się z działem obsługi klienta.

Producent nie ponosi żadnej odpowiedzialności za obrażenia ciała lub uszkodzenia mienia powstałe na skutek nieprawidłowego lub nieodpowiedniego montażu urządzenia. Wszelkie stałe instalacje elektryczne muszą być zgodne z najnowszymi przepisami dotyczącymi okablowania, obowiązującymi w danym kraju. Dla własnego bezpieczeństwa należy zlecić montaż instalacji elektrycznej wykwalifikowanemu elektrykowi lub wykonawcy.

Urządzenie jest fabrycznie przystosowane do podłączenia do zewnętrznego kanału wentylacyjnego (brak w zestawie). W przypadku korzystania tylko z trybu recyrkulacji należy zamontować odpowiedni filtr węglowy (brak w zestawie).

**Dane techniczne**

Napięcie zasilania	220-240V~, 50Hz
Zużycie energii – wentylator	95W
Zużycie energii – oświetlenie	1 x 5,5W Maks.
Zużycie energii – łącznie	100.5W
Klasa ochrony	II
Żarówka	Maks. 5,5W (E14)
Kod ILCOSD	DBL-5.5-H-E14-35/102

**Informacje na temat rozporządzenia UE nr 66/2014 i nr 65/2014**

**A. Informacje dotyczące okapu kuchennego (www.diy.com)**



	Symbol	Wartość	Jednostka
Identyfikacja modelu	CLCGS60 / CLCGB60 / CLCGS90 / CLCGB90 / CLCGS70 / CLCGB70		
Roczne zużycie energii	AEC okap	46.6	KWh/a
Współczynnik zwiększania czasu	f	1.6	
Dynamiczna wydajność płynów	FDE okap	9.8	
Wskaźnik efektywności energetycznej	EEI okap	79.8	
Zmierzony przepływ powietrza w punkcie najwyższej wydajności	Q BEP	208.6	M <sup>3</sup> /h
Zmierzone ciśnienie powietrza w punkcie najwyższej wydajności	P BEP	123	PA
Maksymalny przepływ powietrza	Q MAX	338.7	M <sup>3</sup> /h
Przepływ powietrza podczas normalnego użytkowania		Najwyższe ustawienie: 341 Najniższe ustawienie: 195	M <sup>3</sup> /h
Zmierzony pobór energii elektrycznej w punkcie najwyższej wydajności	W BEP	72.9	W
Nominalna moc systemu oświetlenia	W L	5.5	W
Przeciętny poziom oświetlenia powierzchni gotowania zapewniany przez system oświetlenia	E środkowa część	46	lux
Wydajność oświetlenia	LE okap	8.4	luks/wat
Zmierzone zużycie energii w trybie czuwania	P s	–	W
Zmierzone zużycie energii w trybie wyłączenia	P o	0	W
Poziom mocy akustycznej	L WA	Maks.62 / min. 58	dB
Wydajność filtra odłuszczonego	GFE okap	74.6	%

Metoda obliczania i pomiaru danych zamieszczonych w powyższej tabeli jest zgodna z postanowieniami rozporządzenia delegowanego Komisji (UE) nr 65/2014 i rozporządzenia Komisji (UE) nr 66/2014.

**B. Następujące wskazówki przedstawiają sposób na zmniejszenie negatywnego wpływu na środowisko (np. zużycie energii) wywieranego przez proces gotowania.**

1. Zamontować urządzenie we właściwym miejscu o odpowiedniej wentylacji.

2. Regularnie czyścić urządzenie, aby nie dopuścić do zablokowania kanału wentylacyjnego.
3. Pamiętać, aby wyłączyć lampkę okapu kuchennego po zakończeniu gotowania.
4. Pamiętać, aby wyłączyć okap kuchenny po zakończeniu gotowania.

### C. Informacje dotyczące rozmontowania.

To urządzenie nie podlega rozmontowaniu przez użytkownika w sposób inny niż przedstawiony w oryginalnej instrukcji montażu.

Po zakończeniu eksploatacji urządzenia nie powinno się wyrzucać wraz odpadami komunalnymi. Aby uzyskać poradę w zakresie recyklingu, należy skontaktować się lokalnymi władzami, firmą zajmującą się utylizacją odpadów lub sprzedawcą, u którego został kupiony produkt.

## Rozwiązywanie problemów

Problem	Możliwa przyczyna	Rozwiązanie
Nadmierne drgania.	Urządzenie jest nieprawidłowo zamontowane za pomocą wsporników.	Zdjąć urządzenie i sprawdzić, czy jest prawidłowo zamontowane.
	Łopatką wentylatora jest uszkodzona.	Wyłączyć urządzenie. Naprawy muszą być wykonywane wyłącznie przez wykwalifikowany personel serwisowy.
	Silnik wentylatora nie jest prawidłowo zamocowany.	
Oświetlenie jest włączone, lecz wentylator nie działa.	Łopatką wentylatora jest zablokowana.	
Oświetlenie i silnik nie działają.	Silnik jest uszkodzony.	
	Żarówka jest przepalona.	Wymienić na żarówkę tego samego typu.
Wydajność ssania zmniejszona.	Przewód zasilania jest luźny.	Sprawdzić źródło zasilania.
	Prędkość może być zbyt niska.	Wybrać wyższą prędkość.
	Filtry aluminiowe są zabrudzone.	Wyczyścić filtry aluminiowe. (Patrz rozdział 'Utrzymanie i konserwacja').
	Górny otwór wentylacyjny może być zablokowany.	Usunąć wszelkie zatory.
	Opcjonalny zestaw wentylacyjny może być skręcony.	Upewnić się, że zestaw wentylacyjny został zamontowany zgodnie z instrukcjami producenta.
Urządzenie działa prawidłowo, lecz podczas gotowania unosi się specyficzny zapach.	Instalacja może nie być zgodna z instrukcją producenta.	Przewód wentylacyjny powinien mieć odpowiednią średnicę na całej długość; nie należy go skracać lub ścisnąć (patrz rozdział poświęcony montażowi).
	Filtr węglowy nie jest w trybie recyrkulacji lub jest wypełniony tłuszczem.	Zamocować filtr węglowy lub wymienić go (patrz rozdział 'Utrzymanie i konserwacja').

To urządzenie jest zgodne z przepisami dotyczącymi tłumienia zakłóceń radioelektrycznych. W ramach polityki polegającej na nieustannym udoskonalaniu produktów producent zastrzega sobie prawo do wprowadzenia niezbędnych modyfikacji, bez wcześniejszego powiadomienia.



## Gwarancja handlowa

Firma Cooke and Lewis przykłada szczególną wagę do tego, aby wybierać materiały wysokiej jakości i stosować techniki produkcyjne, które umożliwiają tworzenie wytrzymałych, a zarazem atrakcyjnych produktów. Dlatego też oferujemy 24-miesięczną gwarancję obejmującą wady produkcyjne na produkt Zaokrąglony szklany okap kuchenny.

Zaokrąglony szklany okap kuchenny jest objęty gwarancją przez 24 miesiące od daty zakupu (zakup w sklepie) lub dostawy (zakup przez internet) w przypadku normalnego (nieprofesjonalnego lub komercyjnego) użytku domowego. W ramach tej gwarancji użytkownik może dokonać zgłoszenia reklamacyjnego wyłącznie po przedstawieniu paragonu lub faktury. Dowód zakupu należy przechowywać w bezpiecznym miejscu.

Gwarancja obejmuje wszystkie koszty części oraz robocizny związane z naprawą Zaokrąglony szklany okap kuchenny w przypadku, gdy w ciągu 24 miesięcy od daty zakupu lub dostawy w urządzeniu wykryto wadę materiałową lub produkcyjną, z zastrzeżeniem wyłączeń opisanych poniżej oraz pod warunkiem że urządzenie było wykorzystywane zgodnie z przeznaczeniem oraz że było zamontowane, czyszczone, utrzymywane w dobrym stanie technicznym i konserwowane zgodnie z informacjami zawartymi w instrukcji obsługi. Niniejsza gwarancja nie obejmuje wad i uszkodzeń wynikających z normalnego zużycia Zaokrąglony szklany okap kuchenny, uszkodzeń będących skutkiem niewłaściwego stosowania, montażu, przechowywania lub złożenia, a także zaniedbania, wypadku i modyfikacji produktu. Gwarancja nie obejmuje również materiałów eksploatacyjnych, takich jak filtry węglowe i żarówki. Gwarancja obejmuje tylko wadliwe części.

W przypadku wykrycia wady Zaokrąglony szklany okap kuchenny zostanie ona przez nas usunięta. Jednak jeśli w trakcie obowiązywania okresu gwarancyjnego inżynier wyznaczony przez autoryzowanego przedstawiciela uzna, że Zaokrąglony szklany okap kuchenny nie można naprawić, zastrzegamy sobie prawo, według własnego uznania, do wymiany wadliwego Zaokrąglony szklany okap kuchenny na inny Zaokrąglony szklany okap kuchenny. W przypadku braku takiego samego Zaokrąglony szklany okap kuchenny klientowi zostanie zaoferowany zastępczy produkt Zaokrąglony szklany okap kuchenny, o takich samych funkcjach i specyfikacjach.

Podczas wykonywania prac serwisowych może zaistnieć konieczność usunięcia wbudowanego Zaokrąglony szklany okap kuchenny z miejsca zamontowania. Jeśli produkt Zaokrąglony szklany okap kuchenny jest przyklejony, obudowany kafelkami lub zabezpieczony fugami, przez co zdemontowanie jest niemożliwe, obowiązkiem klienta/montera jest demontaż i ponowny montaż Zaokrąglony szklany okap kuchenny w celu wykonania naprawy lub wymiany urządzenia.

Po naprawie lub wymianie Zaokrąglony szklany okap kuchenny pozostały okres gwarancyjny będzie obowiązywał dla naprawionego lub wymienionego Zaokrąglony szklany okap kuchenny.

Jeśli jakkolwiek osoba inna niż inżynier wyznaczony przez autoryzowanego przedstawiciela dokona modyfikacji lub podejmie próbę naprawy Zaokrąglony szklany okap kuchenny, gwarancja zostanie unieważniona. Niniejsza gwarancja obowiązuje wyłącznie w kraju zakupu lub dostawy i nie podlega przeniesieniu do żadnego innego kraju. Niniejsza gwarancja nie podlega przeniesieniu na jakąkolwiek inną osobę lub produkt. W przypadku niniejszej gwarancji zastosowanie ma odpowiednie prawo lokalne. Niniejsza gwarancja jest dokumentem dodatkowym, który nie ma wpływu na ustawowe prawa konsumenta w zakresie uszkodzonych towarów.

Pytania związane z gwarancją należy kierować do sklepu współpracującego z dystrybutorem, w którym zakupiono Zaokrąglony szklany okap kuchenny.

Aby ustalić termin wizyty serwisowej, należy skontaktować się z działem obsługi klienta, korzystając z jednego z poniższych bezpłatnych numerów. Należy wybrać numer odpowiedni dla kraju, w którym zakupiono Zaokrąglony szklany okap kuchenny:

Polska      800 121 2222      poland@kingfisherservice.com

## Recykling i utylizacja

Zużyte produkty elektryczne (WEEE) nie powinny być utylizowane z odpadami domowymi.

Powinny być utylizowane w przeznaczonych do tego miejscach. Aby uzyskać poradę w zakresie recyklingu, należy skontaktować się z lokalnymi władzami, firmą zajmującą się utylizacją odpadów lub sprzedawcą, u którego został zakupiony produkt.

Symbol kosza na śmieci na produkcie lub jego opakowaniu informuje o tym, że urządzenie nie może zostać wyrzucone wraz z odpadami komunalnymi. Niniejszy produkt musi zostać przekazany do punktu zbiórki sprzętu elektrycznego i elektronicznego w celu recyklingu. Utylizując niniejszy produkt w odpowiedni sposób, użytkownik zapobiega negatywnym skutkom wpływającym na środowisko i zdrowie publiczne, które mogłyby zostać wywołane poprzez niewłaściwe obchodzenie się z urządzeniem.



DE

## Anweisungen überprüfen

**Diese Anweisungen dienen Ihrer Sicherheit. Bitte lesen Sie die folgenden Anweisungen sorgfältig durch, bevor Sie mit der Installation und Verwendung dieses Geräts fortfahren.**

**WARNUNG:** Alle Installationsarbeiten müssen von einer entsprechend qualifizierten Person, streng nach den örtlichen Gebäudevorschriften und gemäß diesen Anweisungen durchgeführt werden.

Um die Risiken zu vermeiden, die sich aus der Verwendung eines elektrischen Geräts zwangsläufig ergeben, muss die Dunstabzugshaube unbedingt korrekt installiert werden. Außerdem müssen Sie die Sicherheitshinweise aufmerksam lesen, um eine unsachgemäße Verwendung und die Entstehung von Gefahren zu verhindern. Überprüfen Sie nach dem Auspacken der Dunstabzugshaube, ob sie beschädigt ist. Verwenden Sie das Gerät im Zweifel nicht, sondern wenden Sie sich bitte an Ihren Händler.

Überprüfen Sie die Verpackung und stellen Sie sicher, dass alle

aufgeführten Teile vorhanden sind. Entscheiden Sie dann, welche Position für das Produkt geeignet ist. Wenn dieses Produkt Glas enthält, gehen Sie beim Montieren und Handhaben bitte umsichtig vor, um Verletzungen oder eine Beschädigung des Produkts zu vermeiden. Auf dem Typenschild auf diesem Gerät befinden sich alle für die Bestellung von Ersatzteilen erforderlichen Informationen. Wenn Sie das Gerät bei einem Umzug verkaufen, verschenken oder zurücklassen, achten Sie bitte darauf, dass Sie dieses Handbuch weitergeben, sodass sich der neue Besitzer mit dem Gerät und seinen Sicherheitshinweisen vertraut machen kann.

## Sicherheit

- ☑ **WARNUNG:** Es besteht Stromschlag- und Brandgefahr, wenn die Reinigung nicht gemäß dieser Anweisungen durchgeführt wird.
- ☑ **WARNUNG:** Falls zutreffend, wird das Gerät mit Befestigungsteilen ausgeliefert. Bitte stellen Sie sicher, dass Sie Befestigungsteile verwenden, die für die Beschaffenheit der Oberfläche, auf der das Gerät installiert werden soll, geeignet sind und dass sie das Gewicht des Geräts tragen können.
- ☑ **WARNUNG:** Verwenden Sie bei Befestigungsteilen und Schrauben immer die Größe, die in dieser Bedienungsanleitung empfohlen wird. Die Nichteinhaltung dieser Anweisungen kann zu Gefahren durch elektrischen Strom führen.
- ☑ **WARNUNG:** Trennen Sie das Gerät vom Netz, bevor Sie Wartungs- oder Reinigungsarbeiten durchführen.
- ☑ **WARNUNG:** Zugängliche Teile können heiß werden, wenn sie mit Kochgeräten verwendet werden. Kleine Kinder sollten ferngehalten werden. Das Gerät sollte nicht angefasst werden.
- ☑ **WARNUNG:** Flambieren Sie unter der Abzugshaube keine Lebensmittel. Reinigen Sie zur Vermeidung der Brandgefahr den Fettfilter regelmäßig oder tauschen Sie ihn aus und behalten Sie Töpfe mit heißem Öl stets im Blick.
- ☑ **WARNUNG:** Um eine vollständige Trennung sicherzustellen, müssen in Übereinstimmung mit den örtlichen

Installationsrichtlinien für Ihr Land entsprechende Vorrichtungen in die feste Verkabelung integriert werden. Während der Installation muss ein Schalter für eine allpolige Trennung mit einer Kontakttrennung von mindestens 3 mm in allen Polen angeschlossen werden.

- ☑ **WARNUNG:** Wenn sich die Dunstabzugshaube über einem Gerät befindet, muss der Mindestabstand zwischen der Oberfläche für das Kochgeschirr auf dem Kochfeld und dem niedrigsten Teil der Haube mindestens 760 mm betragen.
- ☑ **WARNUNG:** Überprüfen Sie vor dem Anschließen der Haube, ob Spannung und Frequenz den auf dem Typenschild des Geräts angegebenen Werten entsprechen. Die Nichtbeachtung der vorliegenden Anleitung bei der Montage des Geräts kann zu einem Sicherheitsrisiko führen. Holen Sie sich im Zweifelsfall Rat beim Händler oder bei einem qualifizierten Installateur.
- ☑ **WARNUNG:** Informieren Sie sich über die örtlichen Vorschriften in Bezug auf Abzugsöffnungen und stellen Sie sicher, dass diese eingehalten werden. Schließen Sie die Haube nicht an ein Ventilationsrohr oder ein Heißluftrohr an, das Verbrennungsrauch aus verbranntem Gas oder anderen Kraftstoffen enthält. Stellen Sie sicher, dass die Raumlüftung den örtlichen Vorschriften entspricht.
- ☑ **WARNUNG:** Die Abzugshaube funktioniert während einer elektrostatischen Entladung (z. B. Blitz) möglicherweise nicht mehr ordnungsgemäß. Hierdurch entsteht kein Risiko einer Beschädigung. Schalten Sie die Stromversorgung der Abzugshaube aus und schalten Sie sie nach einer Minute wieder ein.
- ☑ **WARNUNG:** Dieses Gerät kann von Kindern ab 8 Jahren und von Personen mit eingeschränkten körperlichen und sensorischen bzw. mentalen Fähigkeiten oder mangelnder Erfahrung und mangelnden Kenntnissen verwendet werden, wenn sie eine Einweisung erhalten haben oder entsprechend der sicheren Anwendung des Geräts angewiesen wurden und sie die möglichen Gefahren in diesem Zusammenhang verstanden haben. Kinder dürfen nicht mit dem Gerät spielen. Reinigungs- und vom

Benutzer auszuführende Wartungsarbeiten dürfen nicht ohne Beaufsichtigung von Kindern durchgeführt werden. Halten Sie das Gerät und sein Netzkabel außerhalb der Reichweite von Kindern unter 8 Jahren.

- ☑ Wenn das Netzkabel beschädigt ist, muss es durch den Hersteller, einen seiner Kundendienstvertreter oder eine ähnlich qualifizierte Person ersetzt werden, um das Entstehen eines Sicherheitsrisikos zu vermeiden.
- ☑ Installieren Sie das Gerät nicht im Freien an einem feuchten Ort oder an einem Ort, an dem Wasser eindringen kann, wie unter einem Spülbecken oder in der Nähe eines Spülbeckens. Falls die Funktionstüchtigkeit des Geräts aufgrund eines Wassereintritts beeinträchtigt ist, verwenden Sie das Gerät nicht mehr, sondern wenden Sie sich an den Kundendienst und vereinbaren Sie einen Inspektionstermin.
- ☑ Verwenden Sie keine entflammenden Sprays in der Nähe des Geräts.
- ☑ Bitte entsorgen Sie das Verpackungsmaterial sorgfältig. Es besteht Brandgefahr, wenn die Reinigung nicht gemäß anweisungen durchgeführt wird. Lesen Sie die Informationen zur Reinigung und zum Austausch der Aluminium- und Kohlefilter (sofern vorhanden) im Abschnitt „Pflege und Wartung“ aufmerksam durch.
- ☑ Informationen über die Lampentypen, die verwendet werden können und wie diese auszutauschen sind, finden Sie im Abschnitt „Pflege und Wartung“.
- ☑ Verwenden Sie für die Pflege und Wartung keinen Dampfreiniger.
- ☑ Das Gerät ist nicht für den gemeinsamen Betrieb mit einem externen Timer oder einer separaten Fernbedienung konzipiert.
- ☑ Der Raum muss ausreichend belüftet werden, wenn die Abzugshaube gleichzeitig mit Geräten verwendet wird, bei denen Gas oder andere Kraftstoffe verbrannt werden. Stellen Sie sicher, dass der Unterdruck des Installationsstandorts nicht mehr als 4 Pa (0,04 mbar) beträgt, da sonst die Verbrennungsdämpfe wieder zurück in den Raum gesaugt werden.



- ☑ Verwenden Sie die Abzugshaube nicht, wenn diese Beschädigungen oder Fehler aufweist. Wenden Sie sich an den Kundendienst, wenn Sie Hilfe benötigen.
- ☑ Der Hersteller übernimmt keine Haftung für Personen- oder Sachschäden als Folge von unsachgemäßer Verwendung oder einer falschen Installation dieses Geräts.
- ☑ Das Gerät ist ausschließlich für den häuslichen Gebrauch als Abzugshaube konzipiert.

## Installation

Die gesamte Installation muss von einer fachkundigen Person oder einem ausgebildeten Elektriker durchgeführt werden. Stellen Sie vor dem Anschließen an die Stromversorgung sicher, dass die Netzspannung zur Spannungsangabe auf dem Typenschild passt.

### Direkter Anschluss

Das Gerät muss mithilfe eines mehrpoligen Leistungsschalters mit einem Mindestabstand zwischen den Kontakten von 3 mm direkt an das Netz angeschlossen werden.

Der Installateur muss sicherstellen, dass der elektrische Anschluss korrekt vorgenommen und der Schaltplan berücksichtigt wird.

Das Kabel darf weder verbogen noch eingedrückt sein.

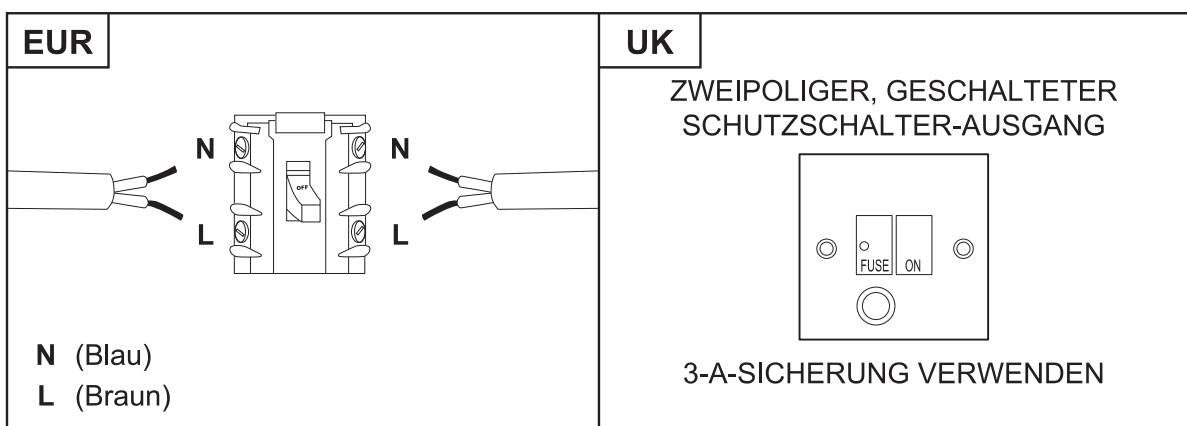
Prüfen Sie den Netzstecker und das Netzkabel regelmäßig auf Beschädigung. Ist das Netzkabel beschädigt, muss es durch ein spezielles Kabel ersetzt werden, das beim Hersteller oder einem seiner Servicevertreter erhältlich ist.

### **WARNUNG: Dies ist ein Klasse II-Gerät, es DARF NICHT geerdet werden**

Dieses Gerät wird mit einem 2-adrigen Netzkabel mit der folgenden Farbcodierung ausgeliefert:

Braun = L bzw. stromführend

Blau = N bzw. neutral.



### **Die Sicherung muss auf 3 A ausgelegt sein.**

Um die Risiken zu vermeiden, die sich aus der Verwendung eines elektrischen Geräts zwangsläufig ergeben, muss das Gerät unbedingt korrekt installiert werden. Außerdem müssen die Sicherheitshinweise aufmerksam gelesen werden, um eine missbräuchliche Verwendung und die Entstehung von Gefahren zu verhindern. Bitte bewahren Sie diese Bedienungsanleitung zum Nachschlagen auf und geben Sie sie an zukünftige Besitzer weiter. Überprüfen Sie nach dem

Auspacken des Geräts, ob es beschädigt ist. Verwenden Sie das Gerät im Zweifel nicht, sondern wenden Sie sich an den Kundendienst.

Der Hersteller übernimmt keine Haftung für Personen- oder Sachschäden aufgrund falscher oder unsachgemäßer Installation des Geräts. Jede festverlegte elektrische Installation muss den neuesten Verkabelungsvorschriften entsprechen, die in Ihrem Land gelten und zu Ihrer eigenen Sicherheit sollte ein qualifizierter Elektriker oder Vertragspartner die elektrische Installation vornehmen.

Das Gerät wird werksseitig so ausgeliefert, dass externe Leitungen verwendet werden müssen (nicht im Lieferumfang enthalten). Sollten Sie diese ausschließlich im Rückführmechanismus verwenden wollen, setzen Sie bitte den richtigen Kohlefilter ein (nicht im Lieferumfang enthalten).

## Technische Daten

Netzspannung	220-240V~, 50Hz
Stromverbrauch - Lüfter	95W
Stromverbrauch - Beleuchtung	1 x 5.5W Max
Stromverbrauch - insgesamt	100.5W
Schutzklasse	II
Glühlampe	Max. 5.5W (E14)
ILCOSD-Code	DBL-5.5-H-E14-35/102

### Informationen für EU Nr. 66/2014 und Nr. 65/2014

#### A. Informationen zu der Dunstabzugshaube ([www.diy.com](http://www.diy.com))

	Symbol	Wert	Einheit
Modellkennzeichnung	CLCGS60 / CLCGB60 / CLCGS90 / CLCGB90 / CLCGS70 / CLCGB70		
Jährlicher Energieverbrauch	AEC Abzugshaube	46.6	KWh/a
Zeiterhöhungsfaktor	f	1.6	
Strömungseffizienz	FDE Abzugshaube	9.8	
Energieeffizienzindex	EEI Abzugshaube	79.8	
Gemessene Luftfördermenge an dem Punkt mit der höchsten Effizienz	Q BEP	208.6	M <sup>3</sup> /h
Gemessener Luftdruck an dem Punkt mit der höchsten Effizienz	P BEP	123	PA
Maximale Luftströmung	Q MAX	338.7	M <sup>3</sup> /h
Luftströmung bei normaler Verwendung		Höchste Einstellung: 341 Niedrigste Einstellung: 195	M <sup>3</sup> /h
Gemessene Stromstärke an dem Punkt mit der höchsten Effizienz	W BEP	72.9	W
Normale Leistung des Beleuchtungssystems	W L	5.5	W



	Symbol	Wert	Einheit
Durchschnittliche Ausleuchtung der Kochfläche durch das Beleuchtungssystem	E Mitte	46	lux
Lichteffizienz	LE Abzugshaube	8.4	lux/watt
Gemessener Stromverbrauch im Standby-Modus	P <sub>s</sub>	–	W
Gemessener Stromverbrauch im Modus „Ausgeschaltet“	P <sub>o</sub>	0	W
Schallleistungspegel	L <sub>WA</sub>	Max.62 / Min. 58	dB
Fettfiltereffizienz	GFE Abzugshaube	74.6	%

Die Mess- und Berechnungsmethode in der obigen Tabelle wurde in Übereinstimmung mit der Verordnung (EU) Nr. 65/2014 und der Verordnung (EU) Nr. 66/2014 der Kommission durchgeführt.

**B. Im Folgenden wird gezeigt, wie die Umweltbelastung (z. B. Energieverbrauch) beim Kochen gesenkt werden kann.**

1. Installieren Sie die Dunstabzugshaube an einer geeigneten Stelle mit ausreichender Belüftung.
2. Reinigen Sie die Dunstabzugshaube regelmäßig, damit der Luftkanal nicht blockiert wird.
3. Denken Sie daran, das Licht der Dunstabzugshaube nach dem Kochen auszuschalten.
4. Denken Sie daran, die Dunstabzugshaube nach dem Kochen auszuschalten.

**C. Informationen zur Demontage.**

Dieses Gerät darf ausschließlich wie im Benutzerhandbuch im ursprünglichem Aufbau gezeigt, demontiert werden.

Das Gerät darf am Ende seiner Lebensdauer nicht im Hausmüll entsorgt werden. Erkundigen Sie sich bei Ihrer lokalen Regierungsbehörde, der zuständigen Stelle für Entsorgung von Hausmüll oder dem Einzelhändler, bei dem das Produkt erworben wurde, nach Recycling-Empfehlungen.

## Fehlerbehebung

Problem	Mögliche Ursache	Lösung
Übermäßige Vibration.	Das Gerät ist nicht ordnungsgemäß an den Halterungen montiert.	Nehmen Sie das Gerät ab und prüfen Sie, ob es korrekt befestigt ist.
	Das Lüfterblatt ist beschädigt. Der Lüftermotor wurde nicht fest genug montiert.	Schalten Sie das Gerät aus. Reparaturen dürfen ausschließlich von qualifizierten Kundendienstmitarbeitern durchgeführt werden.
Die Lampe ist eingeschaltet, aber der Lüfter funktioniert nicht.	Das Lüfterblatt klemmt.	
	Der Motor ist beschädigt.	

Problem	Mögliche Ursache	Lösung
Licht und Motor funktionieren nicht.	Die Glühlampe ist durchgebrannt.	Ersetzen Sie die Glühlampe ausschließlich durch eine Glühlampe mit korrekter Klassifizierung.
	Der Stromanschluss ist locker.	Überprüfen Sie die Stromversorgung.
Absaug-leistung reduziert.	Geschwindigkeit möglicherweise zu gering.	Wählen Sie eine höhere Geschwindigkeit.
	Aluminiumfilter sind verschmutzt.	Reinigen Sie die Aluminiumfilter. (Siehe Abschnitt „Pflege und Wartung“).
	Oberer Luftabzug möglicherweise verstopft.	Entfernen Sie Verstopfungen.
	Optionaler Entlüftungsbausatz möglicherweise verdreht.	Stellen Sie sicher, dass Sie den Entlüftungsbausatz gemäß den Anweisungen des Herstellers montiert haben.
	Die Installation wurde möglicherweise nicht gemäß den Anweisungen des Herstellers ausgeführt.	Der Luftabzugsschlauch muss über den gesamten Verlauf den korrekten Durchmesser ohne Einschränkung oder Reduktion haben. (siehe Abschnitt „Installation“).
Funktioniert normal, aber Kochgerüche ziehen nicht ab.	Im Umlaufmechanismus wurde kein Kohlefilter angebracht, oder dieser ist durch Fett verstopft.	Bringen Sie einen Kohlefilter an oder ersetzen Sie den alten Kohlefilter (siehe Abschnitt „Pflege und Wartung“).

Diese Vorrichtung entspricht den Rechtsvorschriften über die Funkentstörung. Der Hersteller verfolgt eine Strategie der kontinuierlichen Produktverbesserung und behält sich daher das Recht vor, ohne vorherige Warnung Anpassungen und Änderungen vorzunehmen, wenn dies als erforderlich angesehen wird.

## Kommerzielle Garantie

Bei Cooke and Lewis legen wir besonderen Wert auf qualitativ hochwertige Materialien und Herstellungsmethoden, mit denen wir Produktreihen erstellen können, die durch Design und Haltbarkeit hervorstechen. Daher gewähren wir 24 Monate Garantie auf Fertigungsmängel an unseren Gebogene Glasabzugshaube.

Gebogene Glasabzugshaube verfügt über eine Garantie von 24 Monaten ab Kaufdatum, wenn es im Laden gekauft wurde, oder ab Lieferdatum, wenn es online gekauft wurde und für den normalen (nicht gewerbsmäßigen oder kommerziellen) Hausgebrauch verwendet wird. Sie können Garantieansprüche nur gegen Vorlage des Kaufbelegs oder der Rechnung geltend machen. Bewahren Sie den Kaufbeleg bitte an einem sicheren Ort auf.

Die Garantie deckt alle Teile und mit der Reparatur zusammenhängenden Arbeitskosten von Gebogene Glasabzugshaube ab, wenn der Defekt auf Material- oder Fertigungsmängel zurückzuführen ist und innerhalb von 24 Monaten ab Kauf- oder Lieferdatum gemeldet wird. Die Garantie unterliegt den nachstehend aufgeführten Ausnahmen und greift nur, wenn das Produkt für seinen vorgesehen Zweck verwendet wurde. Zudem unterliegt sie den im Benutzerhandbuch angegebenen Informationen zu Installation, Reinigung, Pflege und Wartung. Diese Garantie gilt nicht für Defekte und Schäden, die durch normalen Verschleiß von Gebogene Glasabzugshaube

entstanden sind und nicht für Schäden, die aus unsachgemäßer Verwendung, inkorrekt Installation, Lagerung oder Montage, Nachlässigkeit, Unfällen, Produktmodifikationen, Verbrauchsmaterialien, wie z. B. Aktivkohlefilter und Glühbirnen.

Wenn Gebogene Glasabzugshaube defekt ist, werden wir es reparieren. Wenn Gebogene Glasabzugshaube allerdings während der Garantiezeit nicht mehr repariert werden kann und dieses von einem Techniker eines von uns autorisierten Vertreters bestätigt wird, behalten wir uns das Recht vor, nach eigenem Ermessen das defekte Gebogene Glasabzugshaube gegen ein neues Gebogene Glasabzugshaube auszutauschen. Wenn das gleiche Gebogene Glasabzugshaube nicht mehr verfügbar ist, wird ein alternatives Gebogene Glasabzugshaube mit gleichwertigen Funktionen und technischen Daten angeboten.

Während der durchzuführenden Kundendienstarbeiten kann es erforderlich sein, das eingebaute Gebogene Glasabzugshaube aus seiner Einbaulage zu entfernen. Wenn Gebogene Glasabzugshaube so verklebt, vergossen oder gefliest ist, dass es nicht entfernt werden kann, liegt es in der Verantwortung des Kunden/des Installateurs, das Gerät zu entfernen und anschließend wieder zu installieren, um die Reparatur zu erleichtern.

Nachdem Gebogene Glasabzugshaube repariert oder ausgetauscht wurde, bleibt der restliche Garantiezeitraum für das reparierte bzw. ausgetauschte Gebogene Glasabzugshaube gültig.

Wenn eine andere Person als ein von unserem Vertreter autorisierter Techniker an Gebogene Glasabzugshaube Veränderungen vornimmt oder versucht, dieses zu reparieren, verliert die Garantie ihre Gültigkeit. Diese Garantie gilt nur für das Land, in dem der Einkauf oder die Lieferung stattgefunden hat und ist nicht auf andere Länder übertragbar. Diese Garantie ist nicht auf andere Personen oder Produkte übertragbar. Für diese Garantie gelten die entsprechenden örtlichen Gesetze. Diese Garantie ist eine Ergänzung der gesetzlichen Rechte, die Sie als Verbraucher in Bezug auf fehlerhafte Produkte haben und beeinträchtigt sie in keiner Weise.

Fragen im Zusammenhang mit der Garantie sollten an ein an den Händler angegliedertes Geschäft gestellt werden, bei dem Sie Gebogene Glasabzugshaube gekauft haben.

Um einen Kundendienstanruf zu veranlassen, wenden Sie sich bitte unter den folgenden gebührenfreien Nummern an unseren Kundendienst. Sie müssen die Nummer des Kundendienstes für das Land anrufen, in dem Sie Gebogene Glasabzugshaube gekauft haben:

Deutschland Bitte wenden Sie sich an Ihren Fachhändler

Haben Sie Gebogene Glasabzugshaube im Geschäft gekauft, ist der Händler haftbar, wenn das Produkt gemäß (§ 312a (2) Absatz 1, 3 BGB, Art. 246 (1) (5) Einführungsgesetz zum Bürgerlichen Gesetzbuche – „EGBGB“) defekt ist. Haben Sie Gebogene Glasabzugshaube online gekauft, ist der Händler haftbar, wenn das Produkt gemäß (Art. 246a 1 (1) Absatz 1 (8) Einführungsgesetz zum Bürgerlichen Gesetzbuche – „EGBGB“) defekt ist.

## Recycling und Entsorgung

Elektrische Abfallprodukte (WEEE) dürfen nicht mit dem Hausmüll entsorgt werden.

Bitte recyceln Sie, sofern entsprechende Einrichtungen vorhanden sind. Erkundigen Sie sich bei Ihrer lokalen Regierungsbehörde, der zuständigen Stelle für Entsorgung von Hausmüll oder dem Einzelhändler, bei dem das Produkt erworben wurde, nach Recycling-Empfehlungen.

Das Symbol mit der durchgestrichenen Mülltonne auf dem Produkt bzw. dessen Verpackung weist darauf hin, dass dieses Produkt nicht als Hausmüll entsorgt werden darf. Dieses Produkt darf nur an einer Sammelstelle für das Recycling elektrischer und elektronischer Geräte abgegeben werden. Indem Sie sicherstellen, dass dieses Produkt ordnungsgemäß entsorgt wird, leisten Sie Ihren Beitrag zur Vermeidung negativer Konsequenzen für die Umwelt und die öffentliche Gesundheit. Diese sind in Gefahr, wenn das Produkt nicht korrekt gehandhabt wird.



RUS

## Инструкции по проверке

**Данные инструкции приводятся в целях обеспечения Вашей безопасности. Перед установкой и началом эксплуатации прибора внимательно ознакомьтесь с данными инструкциями.**

**ПРЕДУПРЕЖДЕНИЕ.** Установка должна выполняться специалистом с соответствующей квалификацией со строгим соблюдением требованием локальных постановлений по вопросам строительства и настоящих инструкций.

Во избежание рисков, связанных с использованием электроприборов, а также чтобы исключить возможность ненадлежащего использования убедитесь, что вытяжка установлена правильно, и внимательно ознакомьтесь с инструкциями по технике безопасности. После распаковки вытяжки убедитесь, что она не повреждена. Если у вас возникли какие-либо сомнения, не используйте прибор и обратитесь к своему продавцу.

Проверьте комплект поставки и убедитесь в наличии всех перечисленных деталей. Выберите подходящее место для установки прибора. Если прибор содержит элементы из стекла, соблюдайте необходимые меры предосторожности при установке и эксплуатации, чтобы избежать травм и повреждения самого прибора. На табличке с техническими характеристиками, расположенной на приборе, содержится вся информация, необходимая для заказа запасных деталей. Если вы собираетесь продать прибор, отдать его или оставить новым жильцам при переезде, передайте данное руководство новому

владельцу прибора, чтобы он мог ознакомиться с ним, а также соответствующими правилами техники безопасности.

## Безопасность

- ✓ **ПРЕДУПРЕЖДЕНИЕ.** Выполнение очистки прибора с нарушением приведенных здесь инструкций может привести к поражению электрическим током и возгоранию.
- ✓ **ПРЕДУПРЕЖДЕНИЕ.** При необходимости прибор поставляется в комплекте с крепежными элементами. Для установки прибора следует использовать крепежные элементы, подходящие для поверхности в месте его монтажа, которые должны быть способны выдержать его вес.
- ✓ **ПРЕДУПРЕЖДЕНИЕ.** Используйте крепежные элементы и винты для монтажа только тех размеров, которые рекомендованы в настоящем руководстве. Несоблюдение данных инструкций может привести к возникновению опасности поражения электрическим током.
- ✓ **ПРЕДУПРЕЖДЕНИЕ.** Перед проведением любых работ по техническому обслуживанию или очистке прибора отсоедините его от сети электропитания.
- ✓ **ПРЕДУПРЕЖДЕНИЕ.** При использовании кухонных приборов доступные для прикосновения части могут сильно нагреваться. Не оставляйте детей без присмотра рядом с прибором. Соблюдайте осторожность, избегайте прикосновения к прибору.
- ✓ **ПРЕДУПРЕЖДЕНИЕ.** Не фламбируйте блюда под вытяжкой. Во избежание возгорания регулярно проводите очистку или замену жирособирающего фильтра и внимательно следите за посудой с горячим маслом во время приготовления блюд.
- ✓ **ПРЕДУПРЕЖДЕНИЕ.** Стационарная проводка должна быть оснащена устройством полного отключения в соответствии с местными правилами монтажа проводки, действующими в вашей стране. Во время установки прибор необходимо соединить с сетевым выключателем, обеспечивающим



отключение всех полюсов, с расстоянием между разомкнутыми контактами не менее 3 мм.

- ☑ **ПРЕДУПРЕЖДЕНИЕ.** Если вытяжка располагается непосредственно над прибором для приготовления пищи, расстояние между посудой, расположенной на варочной панели, и самым нижним выступающим элементом вытяжки должно составлять не менее 760 мм.
- ☑ **ПРЕДУПРЕЖДЕНИЕ.** Перед подключением вытяжки убедитесь, что напряжение и частота питающей сети соответствуют величинам, указанным на табличке с техническими характеристиками. Несоблюдение этих инструкций при установке может привести к возникновению опасных ситуаций. Если у вас возникли какие-либо сомнения, обратитесь за консультацией в магазин или к квалифицированному специалисту по установке.
- ☑ **ПРЕДУПРЕЖДЕНИЕ.** Соблюдайте требования относительно систем вытяжки воздуха, изложенные в соответствующих местных нормативных актах. Не подключайте вытяжку к вентиляции или воздухопроводу горячего воздуха, в которых присутствуют продукты сгорания газа или иных видов топлива. Убедитесь, что система вентиляции помещения отвечает требованиям местных органов управления.
- ☑ **ПРЕДУПРЕЖДЕНИЕ.** Вытяжка может прекратить работать в случае возникновения электростатического разряда (например, молнии). В таком случае риск повреждения прибора отсутствует. Отключите вытяжку от сети электропитания и подключите ее снова через одну минуту.
- ☑ **ПРЕДУПРЕЖДЕНИЕ.** Данный прибор может использоваться детьми старше 8 лет и лицами с ограниченными физическими, сенсорными или умственными способностями, а также с недостаточным опытом или знаниями только в том случае, если они находятся под присмотром лица, отвечающего за их безопасность, или получили соответствующие инструкции, позволяющие им безопасно эксплуатировать прибор и дающие им представление об опасности, сопряженной с его эксплуатацией. Не разрешайте детям играть с прибором. Дети



могут осуществлять очистку и обслуживание прибора только под присмотром взрослых. Прибор и его сетевой шнур должны располагаться в месте, недоступном для детей младше 8 лет.

- ☑ В случае повреждения шнура питания следует обратиться к изготовителю, сотруднику сервисной службы или другому квалифицированному специалисту для его замены во избежание возникновения опасных ситуаций.
- ☑ Не устанавливайте прибор вне помещения в условиях высокой влажности или в местах, подверженных протечкам воды, например под раковиной или рядом с ней. Не используйте прибор, если в него попала вода в результате протечки. Обратитесь в Центр обслуживания клиентов или в магазин, где Вы приобрели данный товар.
- ☑ Не пользуйтесь легковоспламеняющимися аэрозолями вблизи прибора.
- ☑ Упаковочный материал следует утилизировать с соблюдением соответствующих мер безопасности. Выполнение очистки прибора с нарушением приведенных здесь инструкций может привести к возгоранию. Для получения подробных инструкций по очистке и замене алюминиевого и угольного фильтров (при их наличии) внимательно ознакомьтесь с информацией, изложенной в разделе «Уход и обслуживание».
- ☑ Информацию о типах ламп, которые можно использовать в приборе, и инструкции по их замене см. в разделе «Уход и обслуживание».
- ☑ Не используйте пароочистители для очистки и обслуживания прибора.
- ☑ Для данного прибора не предусмотрено управление с помощью внешнего таймера или отдельной системы дистанционного управления.
- ☑ Необходимо обеспечить достаточную вентиляцию помещения, если в нем одновременно используется вытяжка и приборы, в которых происходит сжигание газа или иных видов топлива. Убедитесь, что отрицательное давление в месте установки

не превышает 4 Па (0,04 мбар), чтобы продукты сгорания не затягивались обратно в помещение.

- ☑ Не используйте вытяжку в случае обнаружения признаков повреждения или дефектов. Обратитесь за помощью в Центр обслуживания клиентов.
- ☑ Изготовитель снимает с себя всякую ответственность за травмы или порчу имущества, вызванные неправильным использованием или неправильной установкой данного прибора.
- ☑ Данный прибор предназначен только для бытового использования в качестве вытяжки.

## Установка

Установка должна выполняться компетентным лицом или квалифицированным электриком. Перед подключением прибора к сети удостоверьтесь, что напряжение сети соответствует напряжению, указанному в паспортной табличке прибора.

### Прямое подключение

Прибор должен быть подключен напрямую к сети электропитания через автоматический выключатель с расстоянием между разомкнутыми контактами не менее 3 мм.

Специалист по монтажу должен обеспечить правильность электрического подключения и его соответствие электромонтажной схеме.

Кабель не должен быть согнут или сдавлен.

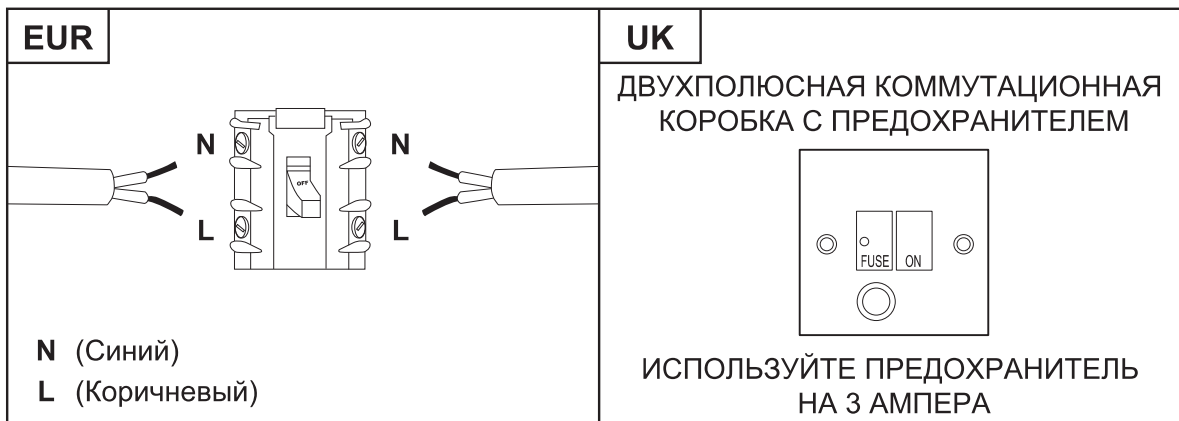
Регулярно проверяйте разъем электропитания и шнур на предмет повреждений. В случае повреждения шнура питания его следует заменить специальным шнуром или комплектом деталей, который можно получить у изготовителя или его сервисного агента.

### **ПРЕДУПРЕЖДЕНИЕ. Данный прибор класса II НЕ ТРЕБУЕТ заземления**

Прибор поставляется с двухжильным кабелем питания, помеченным следующим образом:

Коричневый = Фаза (L)

Синий = Ноль (N)



**Требуется предохранитель с номинальным током 3 А.**

Убедитесь, что прибор установлен правильно, и внимательно ознакомьтесь с инструкциями по технике безопасности во избежание рисков, связанных с использованием электроприборов, а также чтобы исключить возможность ненадлежащего использования. Сохраните данное руководство для дальнейшего использования и передайте его любым новым владельцам прибора. После распаковки прибора убедитесь, что он не поврежден. Если у вас возникли какие-либо сомнения, не используйте прибор и обратитесь в Центр обслуживания клиентов или в магазин, где Вы приобрели данный товар.

Изготовитель снимает с себя всякую ответственность за любой ущерб, нанесенный любому лицу и имуществу в результате неправильной или ненадлежащей установки прибора. В целях обеспечения личной безопасности постоянное подключение прибора к электросети должно выполняться в соответствии с последней версией правил монтажа электропроводки, действующих в вашей стране, квалифицированным электриком или подрядчиком.

Данный прибор поставляется с завода-изготовителя для подключения к внешнему воздуховоду (не входит в комплект поставки). Для использования прибора только в режиме рециркуляции следует установить соответствующий угольный фильтр (не входит в комплект поставки).

## Технические характеристики

Сетевое напряжение	220-240В пер. тока; 50Гц
Энергопотребление — вентилятор	95 Вт
Энергопотребление — освещение	Макс. 1 x 5.5 Вт
Энергопотребление — суммарное значение	100.5 Вт
Класс защиты	II
Лампа	Макс. 5.5 Вт (E14)
Код ILCOSD	DBL-5.5-H-E14-35/102

### Информация по постановлению ЕС № 66/2014 и № 65/2014

#### А. Информация о вытяжке ([www.diy.com](http://www.diy.com))

	Символ	Значение	Единица
Идентификационный номер модели	CLCGS60 / CLCGB60 / CLCGS90 / CLCGB90 / CLCGS70 / CLCGB70		
Годовое энергопотребление	ГЭП ВЫТЯЖКИ	46.6	KWh/a
Коэффициент увеличения времени	f	1.6	
Гидродинамическая эффективность	ГЭ ВЫТЯЖКИ	9.8	
Индекс энергоэффективности	ИЭЭ ВЫТЯЖКИ	79.8	
Измеренный расход воздуха в точке оптимального КПД	Q VER	208.6	M <sup>3</sup> /h
Измеренное давление воздуха в точке оптимального КПД	P VER	123	PA
Максимальный расход воздуха	Q MAX	338.7	M <sup>3</sup> /h
Расход воздуха в обычном режиме работы		Максимальный уровень: 341 Минимальный уровень: 195	M <sup>3</sup> /h

	<b>Символ</b>	<b>Значение</b>	<b>Единица</b>
Измеренная электрическая мощность на входе в точке оптимального КПД	W BER	72.9	W
Номинальная мощность системы освещения	W L	5.5	W
Средняя освещенность рабочей площади при использовании системы освещения	КПД Среднее значение	46	люкс
Эффективность освещения	ЭО вытяжки	8.4	люкс/Вт
Измеренное энергопотребление в режиме ожидания	P s	–	W
Измеренное энергопотребление в выключенном состоянии	P o	0	W
Уровень мощности звука	L WA	Макс. 62 / мин. 58	dB
Эффективность жироулавливающего фильтра	ЭЖФ вытяжки	74.6	%

Метод измерения и расчета, использовавшийся для получения данных, которые приведены в указанной выше таблице, соответствует требованиям делегированного регламента Комиссии (ЕС) № 65/2014 и регламента Совета (ЕС) № 66/2014.

**В. Ниже указаны способы снижения общего негативного влияния процесса приготовления пищи на окружающую среду (например, с точки зрения потребления электроэнергии).**

1. Вытяжку следует устанавливать в подходящем месте с эффективной вентиляцией.
2. Регулярно проводите очистку вытяжки во избежание засорения воздуховода.
3. Не забывайте выключать подсветку вытяжки после окончания приготовления пищи.
4. Не забывайте выключать вытяжку после окончания приготовления пищи.

**С. Информация о демонтаже.**

Данный прибор не предназначен для демонтажа пользователем, за исключением случаев описанных в инструкциях по первоначальной сборке.

По окончании срока службы прибор следует утилизировать отдельно от бытовых отходов. Для получения информации об утилизации обратитесь в местные органы управления, хозяйственную службу, ответственную за вывоз и утилизацию отходов, или к продавцу, у которого было приобретено данное изделие.

## Устранение неисправностей

Неисправность	Возможная причина	Решение
Прибор слишком сильно вибрирует.	Прибор не закреплен на кронштейнах надлежащим образом.	Снимите прибор и убедитесь, что он установлен правильно.
	Лопасть вентилятора повреждена. Привод вентилятора закреплен ненадежно.	Выключите прибор. Ремонт должен осуществляться только квалифицированным специалистом сервисной службы.
Подсветка включена, но вентилятор не работает.	Лопасть вентилятора заклинило.	
	Привод вентилятора поврежден.	
Подсветка и привод не работают.	Перегорела лампа освещения.	Установите сменную лампу соответствующего номинала.
	Ненадежное подключение к источнику питания.	Проверьте подключение к источнику питания.
Мощность всасывания снизилась.	Возможно, установлена слишком низкая скорость.	Выберите более высокую скорость.
	Загрязнены алюминиевые фильтры.	Очистите алюминиевые фильтры от загрязнений. (См. раздел «Уход и обслуживание».)
	Возможно, верхнее вентиляционное отверстие засорено или перекрыто.	Устраните.
	Возможно, дополнительный комплект для вентиляции погнут.	Убедитесь, что комплект для вентиляции установлен в соответствии с инструкциями изготовителя.
	Возможно, установка была выполнена с нарушением инструкций изготовителя.	Необходимо использовать вентиляционный шланг надлежащего постоянного диаметра без ограничений или сужений. (См. раздел с информацией по установке.)
Прибор функционирует нормально, но при приготовлении пищи в помещении остаются запахи.	Угольный фильтр для рециркуляции не установлен в прибор или фильтр загрязнен большим количеством жира.	Установите угольный фильтр или замените его. (См. Раздел «Уход и обслуживание».)

Данный прибор соответствует законодательным требованиям к подавлению радиопомех. Поскольку изготовитель следует принципу непрерывного улучшения продукции, он оставляет за собой право вносить любые изменения и выполнять любые модификации, которые считает необходимыми, без предварительного уведомления.



## Коммерческая гарантия

В Cooke and Lewis мы уделяем особое внимание выбору материалов высшего качества и используем технологии изготовления, которые позволяют нам создавать одинаково стильные и надежные товары. Поэтому Вытяжка с изогнутым стеклом поставляется с 24-месячной гарантией на производственный брак.

24-месячная гарантия на Вытяжка с изогнутым стеклом действует со дня приобретения при покупке в магазине, доставке или покупке онлайн для обычного (не профессионального или коммерческого) бытового использования. Заявление гарантийных требований возможно только при предъявлении чека или счета-фактуры. Храните документы, подтверждающие совершение покупки, в безопасном месте.

Настоящая гарантия покрывает все расходы на запчасти и ремонтные работы Вытяжка с изогнутым стеклом в случае обнаружения производственных дефектов или дефектов материалов в течение 24 месяцев с даты приобретения или доставки изделия, помимо указанных ниже исключений, а также при условии, что продукт использовался по назначению и его установка, очистка и техническое обслуживание соответствуют принятым нормам и информации, которая содержится в руководстве пользователя. Гарантийное обслуживание не распространяется на дефекты и повреждения, вызванные естественным износом Вытяжка с изогнутым стеклом, и на повреждения, которые могли возникнуть по причине ненадлежащего использования, неправильной установки, хранения или сборки, неосторожности, аварийной ситуации, модификации продукта. Гарантийное обслуживание также не распространяется на расходные материалы, такие как угольные фильтры.

Если в Вытяжка с изогнутым стеклом будет обнаружен дефект, мы отремонтируем продукт. Однако, если в течение гарантийного срока Вытяжка с изогнутым стеклом признается не подлежащим ремонту согласно заключению инженера, являющегося специалистом нашего авторизованного сервисного центра, тогда мы оставляем за собой право заменить неисправный Вытяжка с изогнутым стеклом аналогичным исправным Вытяжка с изогнутым стеклом по своему усмотрению. Если аналогичный Вытяжка с изогнутым стеклом больше не выпускается, на замену будет предложен альтернативный вариант Вытяжка с изогнутым стеклом, т. е. изделие с такими же функциями и техническими характеристиками.

В ходе проведения ремонтных работ может потребоваться демонтаж встроенного Вытяжка с изогнутым стеклом. Если Вытяжка с изогнутым стеклом зафиксирован на клей, цемент или облицован плиткой таким образом, что демонтаж невозможен, клиент/специалист по установке несет ответственность за демонтаж и повторную установку Вытяжка с изогнутым стеклом для выполнения ремонтных работ.

После проведения ремонта или замены Вытяжка с изогнутым стеклом гарантия на дефектный продукт будет действовать в отношении отремонтированного или заменяющего его Вытяжка с изогнутым стеклом на протяжении всего оставшегося гарантийного периода.

Любые изменения или ремонтные работы Вытяжка с изогнутым стеклом должны выполняться только инженером, являющимся специалистом нашего авторизованного сервисного центра. В случае нарушения данного правила, гарантийные обязательства утрачивают свою силу. Настоящая гарантия действует только в стране приобретения или доставки изделия и не может быть передана в любую другую страну. Настоящая гарантия не может быть передана другому лицу или покрывать другое изделие. В отношении настоящей гарантии действует применимое местное законодательство. Настоящая гарантия дополняет и не влияет на ваши предусмотренные законом права потребителя в отношении неисправных продуктов.

С любыми вопросами по гарантии необходимо обращаться в магазин дистрибьютора, у которого вы приобрели Вытяжка с изогнутым стеклом.

Чтобы подать заявку на выполнение технического обслуживания или ремонта, обратитесь в Центр обслуживания клиентов по одному из следующих бесплатных номеров телефона.

Необходимо использовать номер телефона страны, в которой вы приобрели Вытяжка с изогнутым стеклом:

Россия      Обратитесь в торговую организацию

## Переработка и утилизация

Использованные электрические изделия (WEEE) не следует выбрасывать вместе с бытовыми отходами.

Выполняйте утилизацию в специально предназначенных для этого местах. Для получения информации об утилизации обратитесь в местные органы управления, хозяйственную службу, ответственную за вывоз и утилизацию отходов, или к продавцу, у которого было приобретено данное изделие.

Символ мусорного бака на самом изделии или его упаковке указывает на то, что данный прибор или его упаковку нельзя утилизировать, как обычные бытовые отходы. Данное изделие следует сдать в соответствующий пункт приема электрического и электронного оборудования для последующей утилизации. Соблюдение правил утилизации данного изделия поможет предотвратить потенциальные негативные последствия для окружающей среды и здоровья людей, которые могли бы иметь место в случае неправильной утилизации.



Соответствует всем требуемым Техническим регламентам Таможенного союза

Производитель \ продавец товара не несет ответственности за причинение ущерба здоровью или имуществу вследствие эксплуатации товара по истечению срока службы.

Дата изготовления (месяц.год) см. на упаковке.

Данный прибор не предназначен для использования детьми, а так же лицами, имеющими физические, нервные или психические отклонения или недостаток опыта и знаний, за исключением случаев, когда за такими лицами осуществляется надзор или проводится их инструктирование относительно использования данного прибора лицом, отвечающим за их безопасность. Необходимо осуществлять надзор за детьми с целью недопущения их игр с прибором.

Критерием предельного состояния изделия является истечение его срока службы.

---

## Instrucțiuni de verificare

**Aceste instrucțiuni sunt pentru siguranța dvs. Citiți cu atenție următoarele instrucțiuni înainte de instalarea și utilizarea aparatului.**

**AVERTISMENT:** Toate lucrările de instalare trebuie realizate de o persoană calificată corespunzător, respectând cu strictețe reglementările locale privind construcțiile și prezentele instrucțiuni.

Pentru a evita riscurile aferente utilizării unui echipament electric, este important ca această hotă să fie instalată corect și să citiți cu atenție instrucțiunile de siguranță în vederea evitării utilizării greșite și a pericolelor. După despachetarea hotei, verificați ca aceasta să nu fie deteriorată. Dacă aveți îndoieli, nu folosiți aparatul și contactați serviciul de asistență clienți la 0800 895 099.

Verificați ambalajul și asigurați-vă că aveți toate piesele din listă, apoi stabiliți locul adecvat de amplasare a produsului. Dacă acest produs conține sticlă, aveți grijă la montare sau manipulare pentru a preveni vătămările corporale sau deteriorarea produsului. Pe plăcuța cu specificații sunt afișate toate informațiile de identificare necesare pentru comandarea pieselor de schimb. Dacă vindeți, donați sau nu luați cu dumneavoastră aparatul când vă mutați, predați și acest manual noului proprietar, pentru ca acesta să se familiarizeze cu aparatul și avertismentele de siguranță.

## Siguranță

- ☑ **AVERTISMENT:** Există risc de electrocutare și incendiu în cazul în care curățarea nu este realizată conform prezentelor instrucțiuni.
- ☑ **AVERTISMENT:** Dacă este cazul, acest aparat este livrat cu elemente de montaj. Folosiți elementele de montaj corespunzătoare pentru substratul în care va fi montat aparatul și care va suporta greutatea aparatului.
- ☑ **AVERTISMENT:** Folosiți numai elemente de fixare și șuruburi de montaj cu aceleași dimensiuni ca cele recomandate în prezentul

manual. Nerespectarea prezentelor instrucțiuni poate cauza pericole de natură electrică.

- ☑ **AVERTISMENT:** Deconectați aparatul de la rețeaua de alimentare înainte de efectuarea lucrărilor de curățenie sau întreținere.
- ☑ **AVERTISMENT:** Componentele accesibile se pot încinge când sunt utilizate la aparatele de gătit. A nu se lăsa la îndemâna copiilor mici. Trebuie luate măsuri pentru a nu permite atingerea aparatului.
- ☑ **AVERTISMENT:** Nu preparați alimente flambé sub hotă. Pentru a evita riscul de incendiu, curățați sau înlocuiți periodic filtrul de grăsime și supravegheați cu atenție vasele care conțin ulei fierbinte.
- ☑ **AVERTISMENT:** Trebuie integrate măsuri de deconectare completă în cablarea fixă în conformitate cu regulile de cablare locale aplicabile în țara dumneavoastră. În timpul instalării trebuie montat un disjunctor multipolar cu o separare între contacte de cel puțin 3 mm între toți polii.
- ☑ **AVERTISMENT:** Când hota de evacuare este amplasată deasupra unui aparat, distanța minimă dintre suprafața de suport pentru vasele de gătit de pe plită și cea mai joasă parte a hotei trebuie să fie de cel puțin 760 mm.
- ☑ **AVERTISMENT:** Înainte de conectarea hotei, verificați ca tensiunea și frecvența curentului să corespundă cu cele indicate pe plăcuța de identificare. Dacă aparatul nu este instalat conform prezentelor instrucțiuni, se pot produce pericole privind siguranța. Dacă aveți îndoieli, cereți sfaturi în magazin sau de la un instalator calificat.
- ☑ **AVERTISMENT:** Consultați reglementările locale cu privire la ieșirile de evacuare și respectați-le. Nu legați hota la o tubulatură de ventilație sau de aer cald care conține aburi combustibili de la combustibili gazoși sau alți combustibili. Asigurați-vă că ventilarea încăperii este corespunzătoare prevederilor impuse de autorităților locale.
- ☑ **AVERTISMENT:** Hota se poate opri în timpul unei descărcări electrice (de exemplu, fulger). Acest lucru nu implică un risc de

defecțiune. Opreți alimentarea electrică a hotei și reconectați după un minut.

- ☑ **AVERTISMENT:** Acest aparat poate fi folosit de către copii începând cu vârsta de 8 ani și de persoane cu capacități fizice, senzoriale sau mentale reduse sau fără experiență și cunoștințe numai sub supraveghere sau dacă au beneficiat de instruire cu privire la utilizarea aparatului în siguranță și dacă înțeleg pericolele aferente. Copiii nu se vor juca cu acest aparat. Curățarea și întreținerea de către utilizator nu se vor face de către copii nesupravegheați. Nu lăsați aparatul și cablul de alimentare la îndemâna copiilor mai mici de 8 ani.
- ☑ În cazul în care cablul de alimentare este deteriorat, trebuie înlocuit de către producător, agentul de service sau persoane cu un nivel de calificare similar pentru evita o situație periculoasă.
- ☑ Nu instalați aparatul în exterior, în locuri umede sau în zone expuse scurgerilor de apă, ca de exemplu sub sau lângă o chiuvetă. În cazul unei scurgeri de apă care afectează aparatul, nu îl mai folosiți și contactați serviciul de asistență clienți pentru verificare.
- ☑ Nu folosiți sprayuri inflamabile în apropierea aparatului.
- ☑ Eliminați ambalajul la deșeuri cu grijă. Există risc de incendiu în cazul în care curățarea nu este realizată conform prezentelor instrucțiuni. Consultați cu atenție secțiunea de îngrijire și întreținere pentru detalii privind curățarea și înlocuirea filtrelor de aluminiu și carbon (dacă aparatul este prevăzut cu aceste filtre).
- ☑ Consultați secțiunea de îngrijire și întreținere pentru detalii privind tipul de bec folosit și modalitatea de înlocuire a acestuia.
- ☑ Nu folosiți un aparat de curățare cu aburi pentru îngrijire și întreținere.
- ☑ Aparatul nu este destinat funcționării printr-un temporizator extern sau sistem de comandă la distanță separat.
- ☑ Încăperea trebuie să dispună de ventilare corespunzătoare când hota este folosită concomitent cu un aparat care utilizează combustibili gazoși sau un alt combustibil. Presiunea negativă a instalației nu trebuie să depășească 4 Pa (0,04 mbar) pentru



a asigura faptul că aburii de combustie nu sunt trași înapoi în încăpere.

- ☑ Nu folosiți hota dacă apar semne de deteriorare sau imperfecțiuni. Contactați serviciul de asistență clienți.
- ☑ Producătorul nu își asumă răspunderea pentru vătămări corporale sau daune materiale rezultate din utilizarea sau instalarea incorectă a acestui aparat.
- ☑ Aparatul este destinat numai pentru utilizare casnică, pe post de hotă de evacuare.

## Instalarea

Instalarea trebuie să fie realizată în totalitate de o persoană competentă sau un electrician calificat. Înainte de conectarea la rețeaua electrică, asigurați-vă că tensiunea rețelei corespunde tensiunii specificate pe plăcuța de identificare.

### Legătură directă

Aparatul trebuie conectat direct la rețea cu ajutorul unui disjunctor monopolar cu o deschidere minimă între contacte de 3 mm.

Instalatorul trebuie să se asigure că a realizat corect legăturile electrice și că a respectat schema electrică.

Cablul nu trebuie să fie îndoit sau comprimat.

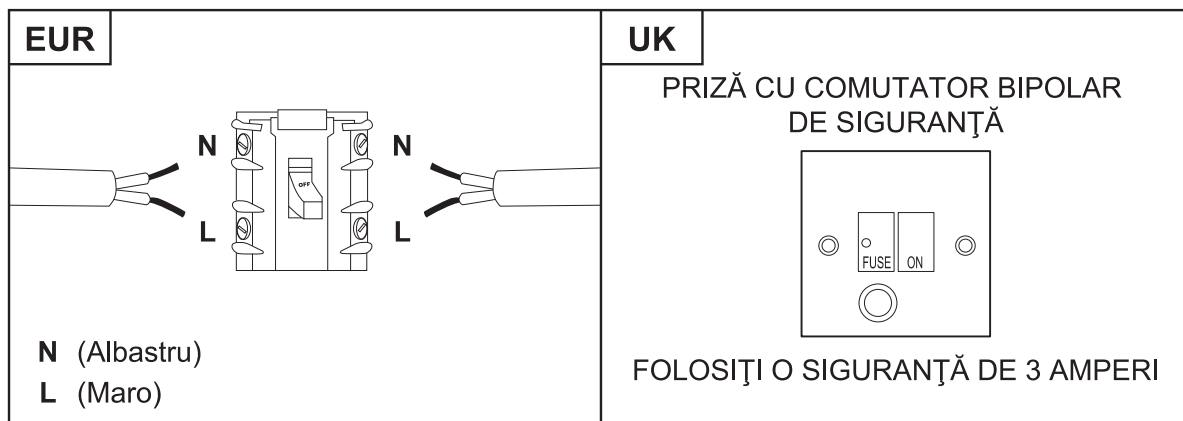
Verificați periodic ștecărul și cablul pentru a depista deteriorările. În cazul în care cablul de alimentare este deteriorat, trebuie înlocuit cu un cablu special sau cu o instalație puse la dispoziție de producător sau agentul de service.

### AVERTISMENT: Acesta este un aparat de Clasa II și NU TREBUIE să fie împământat

Aparatul este echipat cu un cablu de alimentare de la rețea cu 2 fire, colorate după cum urmează:

Maro = L sau sub tensiune

Albastru = N sau Neutru.



### Siguranța trebuie să aibă 3 Amperi.

Pentru a evita riscurile aferente utilizării unui echipament electric, este important ca acest aparat să fie instalat corect și să citiți cu atenție instrucțiunile de siguranță în vederea evitării utilizării greșite și a pericolelor. Păstrați această broșură cu instrucțiuni pentru referințe ulterioare și predați-o

proprietarilor viitori. După despachetarea aparatului, verificați să nu fie deteriorat. Dacă aveți îndoieli, nu folosiți aparatul și contactați serviciul de asistență clienți.

Producătorul nu își asumă răspunderea pentru vătămări sau daune cauzate persoanelor sau obiectelor din cauza instalării necorespunzătoare sau incorecte a aparatului. Toate instalațiile electrice permanente trebuie să fie conforme cu cele mai recente reglementări de cablare aplicabile la nivel național, iar pentru siguranța dumneavoastră instalația electrică trebuie să fie realizată de un electrician sau contractant calificat.

Aparatul este livrat din fabrică pentru utilizare cu tubulatură exterioară (neinclusă). Dacă doriți să folosiți aparatul numai în mod recirculare, montați filtrul de carbon corespunzător (neinclus).

## Date tehnice

Tensiune de alimentare	220-240V~, 50Hz
Consum de curent - Ventilator	95W
Consum de curent - Lumină	1 x 5,5W Max
Consum de curent - Total	100,5W
Clasă de protecție	II
Bec	Max. 5,5W (E14)
Cod ILCOSD	DBL-5.5-H-E14-35/102

### Informații pentru UE Nr. 66/2014 și Nr. 65/2014

#### A. Informații privind hota (www.diy.com)

	Simbol	Valoare	Unitate
Identificare model	CLCGS60 / CLCGB60 / CLCGS90 / CLCGB90 / CLCGS70 / CLCGB70		
Consum anual de electricitate	AEC hotă	46.6	KWh/a
Factor de creștere a duratei	f	1.6	
Eficiența dinamică a fluidelor	FDE hotă	9.8	
Indice de eficiență energetică	EEI hotă	79.8	
Debit de aer măsurat la punctul cu eficiența cea mai mare	Q BEP	208.6	M <sup>3</sup> /h
Presiunea aerului măsurată la punctul cu eficiența cea mai mare	P BEP	123	PA
Debit maxim de aer	Q MAX	338.7	M <sup>3</sup> /h
Debit de aer la utilizare normală		Cel mai mare nivel de setare: 341 Cel mai mic nivel de setare: 195	M <sup>3</sup> /h
Consum de putere electrică măsurat la punctul cu cea mai mare eficiență	W BEP	72.9	W
Putere nominală a sistemului de iluminat	W L	5.5	W

	<b>Simbol</b>	<b>Valoare</b>	<b>Unitate</b>
Intensitatea medie a sistemului de iluminat pe suprafața de gătire	E mediu	46	lux
Eficiența iluminatului	LE hotă	8.4	lux/watt
Consum măsurat în modul standby	P s	–	W
Consum măsurat în modul oprit	P o	0	W
Nivelul puterii de sunet	L WA	Max.62 / Min. 58	dB
Eficiența filtrului de grăsime	GFE hotă	74.6	%

Metoda de măsurare și calcul folosită în tabelul de mai sus a fost realizată în conformitate cu Regulamentul delegat (UE) Nr. 65/2014 al Comisiei și Regulamentul (UE) Nr. 66/2014 al Comisiei.

**B. Mai jos sunt prezentate modalitățile de reducere a impactului procesului de gătire asupra mediului (de exemplu, reducerea consumului de energie).**

1. Montați hota într-un loc adecvat, cu ventilație eficientă.
2. Curățați periodic hota, pentru a nu bloca accesul aerului.
3. Opriți lumina hotei după gătire.
4. Opriți hota după gătire.

**C. Informații privind demontarea.**

Aparatul nu poate fi demontat de utilizator în alt fel decât cel indicat în instrucțiunile originale de montare din manualul de utilizare.

La sfârșitul duratei de viață utile, aparatul nu trebuie eliminat împreună cu gunoiul menajer. Consultați autoritățile locale, serviciile de eliminare a deșeurilor menajere sau distribuitorul de unde ați cumpărat aparatul pentru sfaturi privind reciclarea.

## Depanare

<b>Problemă</b>	<b>Cauză posibilă</b>	<b>Soluție</b>
Vibrații excesive.	Aparatul nu este montat corespunzător pe console.	Demontați aparatul și verificați dacă este fixat corespunzător.
	Lama ventilatorului este deteriorată. Motorul ventilatorului nu este fixat corespunzător.	Opriți aparatul. Reparațiile trebuie efectuate numai de către personal calificat.
Lumina este aprinsă, dar ventilatorul nu funcționează.	Lama ventilatorului este blocată.	
	Motorul este deteriorat.	
Lumina și motorul nu funcționează.	Bec explodat.	Înlocuiți becul cu unul corespunzător.
	Pierderi de tensiune.	Verificați alimentarea.

Problemă	Cauză posibilă	Soluție
Eficiență de extragere redusă.	Viteză prea mică.	Selectați o viteză mai mare.
	Filtrele de aluminiu sunt murdare.	Curățați filtrele de aluminiu. (Consultați secțiunea Îngrijire și întreținere).
	Ventilatorul superior poate fi blocat.	Eliminați orice obstacol.
	Setul opțional de ventilare poate fi torsionat.	Setul de ventilare trebuie montat conform instrucțiunilor producătorului.
	Instalarea poate să nu fie conformă cu instrucțiunile producătorului.	Tubulatura de ventilație trebuie să fie de diametrul corect pe toată lungimea, fără reduceri sau restricții. (Consultați secțiunea de montare).
Funcționează normal, dar mirosul de mâncare persistă.	Filtrul de carbon nu este montat în modul recirculare sau este plin de grăsime.	Montați sau înlocuiți filtrul de carbon (Consultați secțiunea Îngrijire și întreținere).

Acest aparat respectă legea privind limitarea interferenței undelor radio. Deoarece Producătorul dispune de o politică de îmbunătățire continuă a produselor, își rezervă dreptul de a adapta produsul și de a realiza modificări asupra produsului la libera alegere, fără o notificare prealabilă.

## Garanție comercială

În cadrul Cooke and Lewis avem mare grijă să selectăm materiale de înaltă calitate și să utilizăm tehnici de fabricare care ne permit să creăm game de produse care încorporează design și durabilitate. Din acest motiv oferim o garanție de 24 de luni pentru defectele de fabricație ale Hotă de sticlă curbată.

Acest Hotă de sticlă curbată are garanție 24 de luni de la data achiziției, dacă este cumpărat din magazin, sau livrat, dacă este cumpărat online, pentru uz casnic normal (neprofesional sau comercial). Puteți să faceți o solicitare sub acoperirea acestei garanții numai dacă prezentați chitanța de vânzare sau factura de achiziție. Păstrați dovada achiziției într-un loc sigur.

Această garanție acoperă toate costurile privind piesele și manopera asociate reparației Hotă de sticlă curbată în cazul în care se constată că este defect din cauza materialelor sau execuției defectuoase, în termen de 24 de luni de la data achiziției sau livrării, sub rezerva excepțiilor expuse mai jos și cu condiția să fi fost utilizat conform destinației sale și sub rezerva instalării, curățării, îngrijirii și întreținerii în concordanță cu informațiile cuprinse în manualul de utilizare. Această garanție nu acoperă defectele și daunele cauzate de uzura normală a Hotă de sticlă curbată și daune ce pot fi rezultatul utilizării necorespunzătoare, instalării, depozitării sau asamblării defectuoase, neglijenței, accidentelor, modificărilor aduse produsului, consumabilelor precum filtre de carbon și becuri. Garanție este limitată la piesele recunoscute ca fiind defecte.

Dacă Hotă de sticlă curbată este defect, îl vom repara. Totuși, dacă, pe perioada garanției, Hotă de sticlă curbată devine ireparabil conform cu expertiza unui inginer aprobat de către agentul nostru autorizat, atunci ne rezervăm dreptul, la discreția noastră, de a schimba Hotă de sticlă curbată defect cu un Hotă de sticlă curbată înlocuitor. Dacă același Hotă de sticlă curbată nu mai este disponibil, un Hotă de sticlă curbată alternativ va fi oferit, cu funcțiile și specificațiile echivalente.

În timpul lucrărilor de service efectuate poate fi necesară scoaterea Hotă de sticlă curbată încorporat din poziția în care a fost instalat. Dacă Hotă de sticlă curbată este lipit, rostuit sau încastrat între plăci ceramice în așa fel încât nu poate fi scos, este responsabilitatea clientului sau persoanei care a efectuat instalarea să scoată și să reinstaleze Hotă de sticlă curbată pentru a facilita reparația sau înlocuirea.

După ce Hotă de sticlă curbată a fost reparat sau înlocuit, orice interval rămas din perioada de garanție se va aplica Hotă de sticlă curbată reparat sau înlocuit.

În cazul în care orice persoană alta decât un inginer aprobat de către agentul nostru autorizat modifică sau încearcă să repare Hotă de sticlă curbată atunci garanția își pierde valabilitatea. Această garanție se aplică numai în țara de achiziție sau de livrare și nu este transferabilă către nicio altă țară. Această garanție nu se poate transfera altor persoane sau produse. Această garanție este supusă legislației locale pertinente. Această garanție este suplimentară și nu vă afectează drepturile privind bunurile defecte în calitate de client.

Întrebările legate de garanție trebuie adresate unui magazin afiliat distribuitorului de la care ați achiziționat Hotă de sticlă curbată.

Pentru a programa o vizită de service, contactați serviciul clienți la unul dintre următoarele numere fără taxă suplimentară; trebuie să apelați un număr din țara în care ați achiziționat Hotă de sticlă curbată:

România 0800 895 099      romania@kingfisherservice.com

Un certificat de garanție suplimentar vă va fi înmănat în magazin, la cumpărarea Hotă de sticlă curbată.

## Reciclare și eliminare

Produsele electrice uzate (WEEE) nu trebuie eliminate împreună cu gunoiul menajer.

Acolo unde există facilitățile necesare, vă rugăm să reciclați. Consultați autoritățile locale, serviciile de eliminare a deșeurilor menajere sau distribuitorul de unde ați cumpărat aparatul pentru sfaturi privind reciclarea.

Acest produs este marcat cu simbolul de colectare selectivă pentru deșeurile electrice și electronice. Acest lucru înseamnă că acest produs nu trebuie aruncat împreună cu deșeurile menajere, ci trebuie să fie preluat de un sistem de colectare, în conformitate cu Directiva 2012/19/UE. Acesta va fi reciclat, pentru a minimiza impactul asupra mediului. Produsele electrice și electronice sunt periculoase pentru mediul înconjurător și pentru sănătatea umană, ca urmare a prezenței unor substanțe periculoase. Depozitarea adecvată și colectarea aparatului dvs. uzat, contribuie la protejarea mediului înconjurător și a sănătății publice și sunt condiții de bază ale reciclării echipamentelor electrice și electronice uzate. Cooperarea dvs. este vitală pentru a asigura succesul acestui demers.

Pentru informații suplimentare privind depozitarea echipamentelor electrice și electronice uzate, vă rugăm să contactați autoritățile locale, centrul de colectare a unor astfel de aparate sau reprezentantul de vânzări de la care ați achiziționat aparatul.





## Comprobación de instrucciones

**Estas instrucciones son para su propia seguridad. Lea las instrucciones con atención antes de continuar con la instalación y uso de este aparato.**

**ADVERTENCIA:** Todo el trabajo de instalación debe llevarse a cabo por una persona bien calificada que siga estrictamente las normativas de construcción locales y estas instrucciones.

Para evitar los riesgos que están siempre presentes al utilizar un aparato eléctrico, es importante que esta campana se instale correctamente y lea las instrucciones de seguridad cuidadosamente para evitar un mal uso y riesgos. Después de desembalar la campana, compruebe que no está dañada. En caso de duda, no utilice el aparato y póngase en contacto con el servicio de atención al cliente en 800 098 794.

Compruebe el paquete, asegúrese de que tiene todas las piezas que incluye y decida el lugar apropiado para instalarlo. Si este producto contiene cristal, tenga cuidado durante el montaje o la manipulación para evitar lesiones personales o daños en el producto. La placa de especificaciones de este aparato muestra toda la información de identificación necesaria para realizar pedidos de piezas de recambio. Si vende, regala o deja instalado el aparato al mudarse de casa, asegúrese de pasar este manual, de modo que el nuevo propietario pueda familiarizarse con el aparato y las advertencias de seguridad.

## Seguridad

- ☑ **ADVERTENCIA:** Existe riesgo de incendio y descarga eléctrica si no se realiza la limpieza de acuerdo con estas instrucciones.
- ☑ **ADVERTENCIA:** Cuando es necesario, el aparato se suministra con fijaciones. Asegúrese de que usa las fijaciones adecuadas para el sustrato donde va a instalar el aparato y de que soportan su peso.

- ✓ **ADVERTENCIA:** Utilice únicamente accesorios y tornillos de montaje del mismo tamaño, como se recomienda en este manual de instrucciones. Si no se siguen estas instrucciones, podrían producirse riesgos eléctricos.
- ✓ **ADVERTENCIA:** Desenchufe el aparato de la red eléctrica antes de realizar cualquier trabajo de mantenimiento o limpieza.
- ✓ **ADVERTENCIA:** Las piezas accesibles pueden calentarse cuando se utilizan con los electrodomésticos de cocina. Mantenga a los niños alejados. Se debe tener cuidado para no tocar el aparato.
- ✓ **ADVERTENCIA:** No flamee directamente debajo de la campana. Para evitar el riesgo de incendio, limpie o sustituya el filtro de grasa con regularidad y vigile las sartenes que contienen aceite caliente.
- ✓ **ADVERTENCIA:** Se deben incorporar medios que permitan una desconexión completa en la instalación fija de acuerdo con las normas de instalación eléctrica de su país. Durante la instalación, se debe conectar un interruptor de desconexión omnipolar que tenga una separación de contacto de al menos 3 mm en todos los polos.
- ✓ **ADVERTENCIA:** Cuando la campana extractora está situada encima de un aparato, la distancia mínima entre la superficie de apoyo de los recipientes de cocción situados en la placa y la parte más baja de la campana debe ser de al menos 760 mm.
- ✓ **ADVERTENCIA:** Antes de conectar la campana, compruebe que la tensión del suministro y la frecuencia coinciden con las que se indican en la placa de características técnicas. Si el dispositivo no se instala conforme a las instrucciones, pueden producirse riesgos de seguridad. En caso de duda, consulte a la tienda o a un instalador cualificado.
- ✓ **ADVERTENCIA:** Consulte la normativa local sobre la extracción de tomas y asegúrese de cumplirla. No conecte la campana a un conducto de ventilación o calefacción que contenga humos de combustión que provengan de gas u otros combustibles.

Confirme con las autoridades locales que la ventilación de la sala es apropiada.

- ☑ **ADVERTENCIA:** La campana puede dejar de funcionar durante una descarga electrostática (p. ej. un rayo). Esto no implica ningún riesgo de daños. Apague el suministro eléctrico que va a la campana y conéctelo después de un minuto.
- ☑ **ADVERTENCIA:** Este aparato lo pueden usar niños a partir de 8 años y personas con capacidades físicas, sensoriales o mentales reducidas o sin experiencia ni conocimientos, si se les ha supervisado o instruido acerca del uso del aparato de una forma segura y comprenden los riesgos a los que están expuestos. Los niños no deben jugar con el aparato. Los niños no pueden realizar la limpieza ni el mantenimiento del aparato sin estar supervisados. Mantenga el aparato y su cable de alimentación fuera del alcance de los niños menores de 8 años.
- ☑ Si el cable de alimentación está dañado, debe sustituirlo el fabricante, su distribuidor local u otro personal cualificado para evitar riesgos de seguridad.
- ☑ No instale el aparato al aire libre, en un lugar húmedo o en una superficie que pueda ser propensa a fugas de agua como debajo o cerca de un fregadero. En el caso de que una fuga perjudique el aparato, no lo utilice y póngase en contacto con el servicio de atención al cliente para que le envíen un técnico.
- ☑ No utilice pulverizadores inflamables cerca del aparato.
- ☑ Deseche el material de embalaje cuidadosamente. Existe riesgo de incendio si no se realiza la limpieza de acuerdo con estas instrucciones. Consulte la sección Cuidado y mantenimiento para obtener más información sobre cómo limpiar y sustituir los filtros de aluminio y carbono (si están incorporados).
- ☑ Consulte la sección Cuidado y mantenimiento para obtener más información sobre el tipo de lámparas que se pueden utilizar y cómo sustituirlas.
- ☑ No utilice un limpiador a vapor para el cuidado y mantenimiento.
- ☑ El aparato no está diseñado para funcionar a través de un temporizador ni de un sistema de control remoto externo.

- ☑ Debe haber una buena ventilación en la sala cuando se utilice la campana al mismo tiempo que otros aparatos que funcionen con gas u otros combustibles. Asegúrese de que la presión negativa del sitio de instalación no supera los 4 Pa (0,04 mbar) para garantizar que los gases de combustión no se reabsorben en la habitación.
- ☑ No utilice la campana si muestra signos de daños o imperfección. Póngase en contacto con el servicio de atención al cliente para obtener ayuda.
- ☑ El fabricante se exime de toda responsabilidad por daños personales o materiales que se puedan causar como resultado del uso inadecuado o la instalación incorrecta de este aparato.
- ☑ Este aparato es solo para uso doméstico como campana extractora.

## Instalación

Toda la instalación deberá ser realizada por una persona competente o un electricista cualificado. Antes de conectar la corriente eléctrica asegúrese de que la tensión de la red se corresponde con la indicada en la placa de características técnicas.

### Conexión directa

El aparato debe conectarse directamente a la red eléctrica mediante un disyuntor omnipolar con una apertura mínima de tres mm entre los contactos.

El instalador debe garantizar una conexión eléctrica correcta y que cumpla con el esquema de cableado.

El cable no debe quedar doblado ni comprimido.

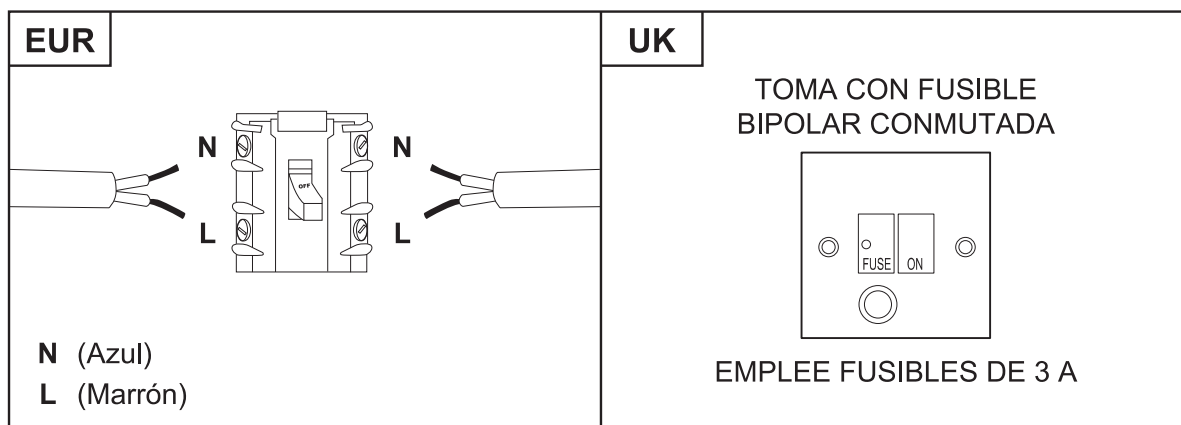
Compruebe regularmente el enchufe y el cable de alimentación en busca de daños. Si el cable de alimentación está dañado, debe ser sustituido por un cable o conjunto especial que podrá adquirir del fabricante o de su distribuidor local.

### **ADVERTENCIA: Este es un aparato de clase II, y NO DEBE conectarse a tierra**

Este aparato se suministra con un cable de alimentación de dos núcleos coloreados como sigue:

Marrón = L o positivo

Azul = N o negativo.



### El fusible debe ser de 3 amperios.

Para evitar los riesgos que están siempre presentes al utilizar un aparato eléctrico, es importante que este dispositivo se instale correctamente y lea las instrucciones de seguridad cuidadosamente para evitar un mal uso y riesgos. Conserve este manual para una futura referencia y páselo a cualquier futuro propietario. Después de desembalar el aparato, compruebe que no está dañado. 1En caso de duda, no utilice el aparato y póngase en contacto con el servicio de atención al cliente.

El fabricante se exime de toda responsabilidad por daños personales o materiales que se puedan causar como resultado de la instalación inadecuada o incorrecta del aparato. Las instalaciones eléctricas permanentes deben cumplir con las últimas normas de instalación de su país y para su propia seguridad, deberían realizarlas electricistas o contratistas cualificados.

El aparato se suministra de fábrica para utilizar conductos externo (no incluidos). Si desea utilizarlo solo en modo recirculación, utilice el filtro de carbono correcto (no incluido).

## Datos técnicos

Tensión de alimentación	220-240V~, 50Hz
Consumo eléctrico: ventilador	95W
Consumo eléctrico: lumbre	1 x 5,5W máx.
Consumo eléctrico: total	100,5W
Clase de protección	II
Bombilla	Máx. 5,5W (E14)
Código ILCOSD	DBL-5.5-H-E14-35/102

### Información para la UE N.º 66/2014 y N.º 65/2014

#### A. Información sobre la campana extractora ([www.diy.com](http://www.diy.com))

	Símbolo	Valor	Unidad
Identificación del modelo	CLCGS60 / CLCGB60 / CLCGS90 / CLCGB90 / CLCGS70 / CLCGB70		
Consumo energético anual	AEC campana	46.6	KWh/a
Factor de aumento de tiempo	f	1.6	
Eficiencia de la dinámica de fluidos	FDE campana	9.8	
Índice de eficiencia energética	EEl campana	79.8	

	<b>Símbolo</b>	<b>Valor</b>	<b>Unidad</b>
Flujo de aire medido en el punto de máxima eficiencia	Q BEP	208.6	M <sup>3</sup> /h
Presión de aire medida en el punto de máxima eficiencia	P BEP	123	PA
Flujo de aire máximo	Q MAX	338.7	M <sup>3</sup> /h
Flujo de aire en el uso normal		Ajuste más alto: 341 Ajuste más bajo: 195	M <sup>3</sup> /h
Potencia eléctrica de entrada medida en el punto de máxima eficiencia	W BEP	72.9	W
Potencia nominal del sistema de iluminación	W L	5.5	W
Promedio de iluminación del sistema de luz en la superficie de cocción	E central	46	lux
Eficacia luminosa	LE campana	8.4	lux/vatios
Consumo eléctrico medido en el modo de espera	P s	–	W
Consumo eléctrico medido en el modo apagado	P o	0	W
Nivel de potencia acústica	L WA	Máx. 62 / min. 58	dB
Eficiencia del filtrado de grasa	GFE campana	74.6	%

La medición y método de cálculo de la tabla anterior se ha realizado de acuerdo con el reglamento delegado de la Comisión (UE) N.º 65/2014 y el reglamento de la Comisión (UE) N.º 66/2014.

**B. A continuación se muestra cómo reducir el impacto medioambiental total (p. ej. uso de energía) del proceso de cocción.**

1. Instalar la campana extractora en un sitio adecuado donde hay ventilación eficiente.
2. Limpiar la campana extractora con regularidad para no obstruir los conductos.
3. Acordarse de apagar la luz de la campana después de cocinar.
4. Acordarse de apagar la campana después de cocinar.

**C. Información para desmontaje.**

Este aparato no lo puede desmontar el usuario, excepto lo que se muestra en el montaje original del manual del usuario.

Al final de su vida útil, el aparato no se debe desechar con la basura doméstica. Consulte con la autoridad gubernamental local, con los servicios de desechos domésticos o con el distribuidor que le vendió el producto para obtener información sobre su reciclaje.



## Solución de problemas

Problema	Posible causa	Solución
Vibración excesiva.	El aparato no está instalado correctamente en los soportes.	Intente quitar el aparato y compruebe que está bien fijado.
	El aspa del ventilador está dañada.	Apague el aparato. La reparación solo debe llevarla a cabo el personal de servicio cualificado.
	El motor del ventilador no está bien fijado.	
La luz está encendida, pero el ventilador no funciona	El aspa del ventilador está atascada.	Apague el aparato. La reparación solo debe llevarla a cabo el personal de servicio cualificado.
	El motor está dañado.	
No funcionan ni la luz ni el motor.	Bombilla fundida.	Sustitúyala por una bombilla con las características correctas.
	Conexión eléctrica suelta.	Compruebe la fuente de alimentación.
Potencia de succión reducida.	La velocidad puede ser demasiado baja.	Seleccione una velocidad más alta.
	Los filtros de aluminio están sucios.	Limpie los filtros de aluminio. (Consulte la sección Cuidado y mantenimiento).
	La ventilación superior puede estar obstruida.	Extraiga cualquier obstrucción.
	El kit opcional de ventilación podría estar torcido.	Asegúrese de que el kit de ventilación está equipado de acuerdo con las instrucciones del fabricante.
	La instalación puede que no cumpla con las instrucciones del fabricante.	El tubo de ventilación debe tener el diámetro correcto a lo largo sin reducciones ni restricción. (Consulte la sección de instalación).
Funciona con normalidad, pero los olores persisten.	Filtro de carbono no está instalado en modo de recirculación o está lleno de grasa.	Coloque el filtro de carbono o sustitúyalo (Consulte la sección Cuidado y mantenimiento).

Este aparato respeta las leyes de supresión de interferencias de radio. Como el fabricante tiene una política de mejora continua del producto, se reserva el derecho a adaptar y realizar cualquier modificación que considere necesaria sin previo aviso.

## Garantía comercial

En Cooke and Lewis nos preocupamos por seleccionar materiales de alta calidad y usar técnicas de fabricación que nos permiten crear gamas de productos que aportan diseño y durabilidad. Es por ello, que ofrecemos 24 meses de garantía contra defectos de fabricación en nuestra Campana extractora de cristal curvado.

Esta Campana extractora de cristal curvado está garantizada durante 24 meses a partir de la fecha de compra, si se compra en la tienda, o de la fecha de entrega, si se compra por Internet, para uso normal doméstico (no profesional ni comercial). Conforme a esta garantía, solo puede hacer una reclamación previa presentación de su recibo o factura de compra. Conserve su comprobante de compra en un lugar seguro.

La garantía cubre todas las piezas y mano de obra asociadas con la reparación de la Campana extractora de cristal curvado si se determina que el defecto se debe a los materiales o la mano de obra en un plazo de 24 meses a partir de la fecha de venta o entrega, sin perjuicio de las exclusiones que se indican a continuación, y siempre que se utilice para los fines para los que se destina y sujeto a la instalación, limpieza, cuidados y mantenimiento conformes con la información contenida en el manual del usuario. Esta garantía no cubre defectos ni daños causados por el desgaste normal de la Campana extractora de cristal curvado ni daños que puedan derivarse de un uso indebido, instalación, almacenamiento o montaje defectuosos, negligencia, accidente, modificación del producto, artículos consumibles tales como filtros de carbono y lámparas. La garantía se limita a las piezas reconocidas como defectuosas.

Si la Campana extractora de cristal curvado es defectuosa, la repararemos. No obstante, si durante el período de garantía, la Campana extractora de cristal curvado sufre un daño irreparable según lo indique un ingeniero aprobado por nuestro agente autorizado, nos reservamos el derecho, a nuestra entera discreción, a cambiar la Campana extractora de cristal curvado por una Campana extractora de cristal curvado de recambio. Si ya no está disponible una Campana extractora de cristal curvado igual, se ofrecerá una Campana extractora de cristal curvado con funciones y especificaciones equivalentes.

Durante la labor de servicio que se lleve a cabo, es posible que debamos retirar la Campana extractora de cristal curvado encastrada de su ubicación. Si la Campana extractora de cristal curvado está pegada, encastrada o alicatada de tal manera que no se pueda extraer, será responsabilidad del cliente o instalador sacar y volver a instalar la Campana extractora de cristal curvado para facilitar la reparación.

Después de haber reparado o sustituido la Campana extractora de cristal curvado, el tiempo restante del periodo de garantía se aplicará a la Campana extractora de cristal curvado reparada o sustituida.

Si cualquier persona que no sea el técnico aprobado por nuestro agente autorizado modifica o intenta reparar la Campana extractora de cristal curvado, la garantía quedará anulada. Esta garantía solo se aplica en el país de compra o entrega y no es transferible a otros países. Esta garantía no es transferible a otros productos ni personas. La ley local pertinente será aplicable a esta garantía. Esta garantía es complementaria y no afecta a sus derechos legales relacionados con los productos defectuosos como consumidor.

Las consultas relacionadas con la garantía deberán dirigirse a una tienda afiliada con el distribuidor en el que adquirió la Campana extractora de cristal curvado. Todos los gastos relacionados (transporte, instalación incorrecta), así como cualquier daño directo o indirecto quedan excluidos de la garantía.

Para concertar una llamada de servicio, póngase en contacto con nuestro servicio de atención al cliente en uno de los siguientes números de teléfono gratuitos. Debe llamar al número del país en el que adquirió la Campana extractora de cristal curvado:

España 800 098 794 [spain@kingfisherservice.com](mailto:spain@kingfisherservice.com)

El Distribuidor será responsable de los defectos de conformidad de la Campana extractora de cristal curvado según las disposiciones establecidas en los artículos 114 a 124 del Real Decreto Legislativo 1/2007, de fecha 16 de noviembre, por el que se aprueba el texto refundido de la Ley General de Protección de los Consumidores y Usuarios y otras leyes complementarias.

## Reciclaje y desechos

Los residuos procedentes de equipos eléctricos y electrónicos (WEEE) no deben desecharse con la basura doméstica.

Por favor recicle cuando existan instalaciones para ello. Consulte con la autoridad gubernamental

local, con los servicios de desechos domésticos o con el distribuidor que le vendió el producto para obtener información sobre su reciclaje.

El símbolo de una papelera tachada en el producto o en su embalaje indica que no se puede tratar como basura doméstica normal. Este producto se debe entregar a un punto de reciclaje de aparatos eléctricos y electrónicos. Asegurarse de que este producto se desecha correctamente, ayudará a evitar posibles consecuencias negativas para el medio ambiente y la salud pública que pueden ocurrir si no se recicla de forma adecuada.



PT

## Instruções de verificação

**Estas instruções são para sua segurança. Leia as seguintes instruções cuidadosamente antes de avançar com a instalação e a utilização deste aparelho.**

**AVISO:** Todo o trabalho de instalação deve ser efetuado por uma pessoa devidamente qualificada, seguindo rigorosamente os regulamentos locais de construção e estas instruções.

Para evitar os riscos que estão sempre presentes quando utiliza um aparelho elétrico, é importante que este exaustor esteja instalado corretamente e que leia as instruções de segurança cuidadosamente para evitar usos indevidos e perigos. Depois de desembalar o exaustor, verifique se não está danificado. Em caso de dúvida, não use o aparelho e entre em contacto com o serviço de atendimento ao cliente através do 800 814 566.

Verificar a embalagem, confirme se tem todas as peças listadas e decida qual a localização adequada para o seu produto. Se este produto tiver vidro, tenha cuidado durante a instalação ou utilização para evitar ferimentos pessoais ou danos no produto. Esta placa de especificações, exibida neste aparelho, apresenta todas as informações de identificação necessárias para encomendar peças de substituição. Se vender o aparelho, oferecê-lo ou deixá-lo ao próximo morador quando mudar de casa, certifique-se de que

entrega este manual, para que o novo proprietário possa familiarizar-se com o aparelho e os respectivos avisos de segurança.

## Proteção

- ✓ **AVISO:** Existe um risco de choque elétrico e incêndio se a limpeza não for efetuada de acordo com estas instruções.
- ✓ **AVISO:** Quando aplicável, este aparelho é fornecido com fixações. Certifique-se de que utiliza as fixações corretas adequadas ao substrato onde o aparelho será instalado e que estas são capazes de suportar o peso do aparelho.
- ✓ **AVISO:** Utilize apenas suportes e parafusos de fixação com o tamanho recomendado neste manual de instruções. O incumprimento destas instruções pode resultar em perigos elétricos.
- ✓ **AVISO:** Desligue o aparelho da fonte de alimentação antes de efetuar qualquer trabalho de manutenção ou limpeza.
- ✓ **AVISO:** As peças acessíveis podem ficar muito quentes quando utilizadas com aparelhos de cozinha. Deve ficar longe do alcance das crianças. Tenha cuidado para evitar tocar no aparelho.
- ✓ **AVISO:** Não flambar sob o exaustor. Para evitar o risco de incêndio, limpe ou substitua o filtro de gorduras regularmente e monitorize de perto os recipientes que contenham óleo quente.
- ✓ **AVISO:** A cablagem fixa deve ter incorporada meios para a desligar completamente, de acordo com as regras locais de instalação de cablagens para o seu país. Durante a instalação, deve ser ligado um interruptor de desativação de todos os polos com uma separação mínima entre contactos de 3 mm em todos os polos.
- ✓ **AVISO:** Caso o exaustor se encontre por cima de um aparelho, a distância mínima entre a superfície de apoio para os recipientes de cozinha na placa e a parte mais baixa do exaustor deve ser no mínimo 760 mm.
- ✓ **AVISO:** Antes de ligar o exaustor, verifique se a tensão fornecida e a frequência correspondem à indicada na placa de classificação do aparelho. A não instalação deste aparelho de acordo com

estas instruções poderá resultar em riscos de segurança. Em caso de dúvida, peça aconselhamento em loja ou a um instalador qualificado.

- ☑ **AVISO:** Consulte os regulamentos locais relativos a saídas de extração e certifique-se de que estes são respeitados. Não ligue o exaustor a uma conduta de ventilação ou ar quente que contenha gases de combustão provenientes de gás ou outros combustíveis. Confirme, com as autoridades locais, se a ventilação do espaço é adequada.
- ☑ **AVISO:** O exaustor pode parar de funcionar durante uma descarga eletrostática (por exemplo, relâmpagos). Tal não implica qualquer risco de danos. Desligue a alimentação elétrica do exaustor e volte a ligar passado um minuto.
- ☑ **AVISO:** Este aparelho pode ser utilizado por crianças a partir dos 8 anos e pessoas com capacidades físicas, sensoriais e mentais reduzidas ou que não tenham experiência e conhecimentos, caso tenham supervisão ou recebido instruções sobre a utilização do aparelho em segurança e compreendam os riscos envolvidos. As crianças não devem brincar com o aparelho. A limpeza e manutenção não devem ser efetuadas por crianças sem supervisão. Mantenha o aparelho e o fio de alimentação fora do alcance de crianças com menos de 8 anos de idade.
- ☑ Se o cabo de alimentação estiver danificado, este tem de ser substituído pelo fabricante, o seu fornecedor de serviços ou por uma pessoa qualificada de modo a evitar perigos de segurança.
- ☑ Não instale o equipamento no exterior, numa zona húmida ou numa área propícia a fugas de água, tal como por baixo ou perto de uma unidade de lava-loiça. No caso de haver uma infiltração de água que afete o aparelho, não o utilize e entre em contacto com o serviço de atendimento ao cliente para agendar uma inspeção.
- ☑ Não utilize sprays inflamáveis nas proximidades do aparelho.
- ☑ Descarte o material da embalagem cuidadosamente. Existe um risco de incêndio caso a limpeza não seja efetuada de acordo com as instruções. Consulte cuidadosamente as secções de



Cuidados e manutenção para obter informações detalhadas sobre como limpar e substituir os filtros de alumínio e de carbono (caso estejam equipados).

- ☑ Consulte a seção Cuidados e manutenção para obter informações detalhadas sobre o tipo de lâmpadas que podem ser utilizadas e como pode substituí-las.
- ☑ Não utilize um dispositivo de limpeza a vapor para os cuidados e manutenção.
- ☑ O aparelho não se destina a ser operado por meio de um temporizador externo ou sistema de controlo remoto em separado.
- ☑ O espaço deve ser ventilado quando o exaustor for utilizado ao mesmo tempo que aparelhos que queimem gás ou outros combustíveis. Certifique-se de que a pressão negativa do local de instalação não ultrapassa os 4 Pa (0,04 mbar) para garantir que os gases de combustão não são extraídos novamente para o espaço.
- ☑ Não utilize o exaustor caso este apresente sinais de danos ou imperfeições. Entre em contato com os serviços de atendimento ao cliente para obter assistência.
- ☑ O fabricante está isento de qualquer responsabilidade por danos pessoais ou materiais resultantes da utilização indevida ou instalação incorreta deste aparelho.
- ☑ O aparelho destina-se apenas a uso doméstico como exaustor.

## Instalação

A instalação tem de ser efetuada por uma pessoa competente ou por um electricista qualificado. Antes de ligar a rede elétrica, certifique-se de que a tensão da rede corresponde à tensão na placa de classificação.

### Ligação direta

O aparelho tem de ser ligado diretamente à rede elétrica através de um disjuntor omnipolar com uma abertura mínima de 3 mm entre os contactos.

O responsável pela instalação tem de garantir que foi realizada a ligação elétrica correta e que esta está em conformidade com o diagrama da cablagem.

O cabo não pode ser dobrado nem comprimido.

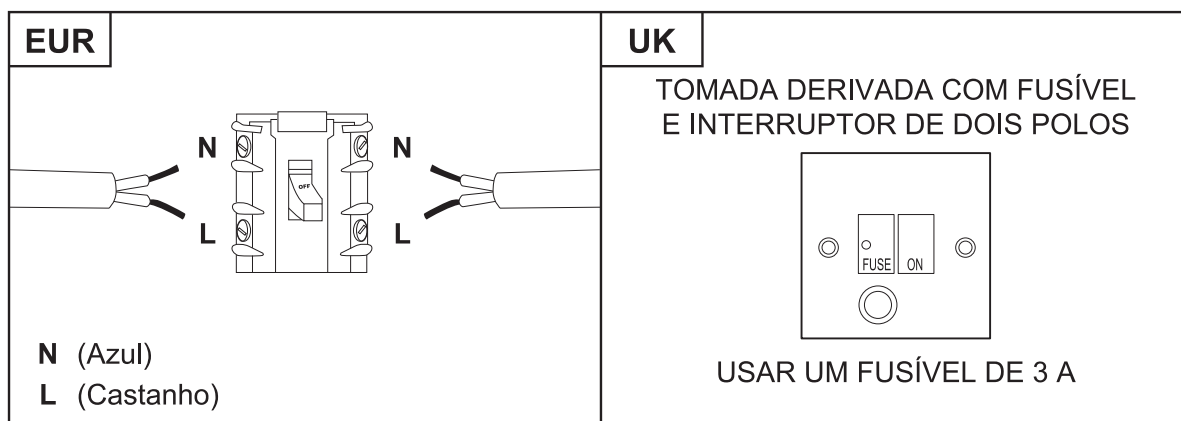
Verifique regularmente se existem danos na tomada e no cabo elétrico. Se o cabo de alimentação estiver danificado, este tem de ser substituído por um conjunto ou cabo especial, disponíveis junto do fabricante ou do respetivo fornecedor de serviços.

**AVISO: Este aparelho pertence à classe II e NÃO PODE ser ligado à terra**

Este aparelho é fornecido com um cabo de 2 núcleos colorido da seguinte forma:

Castanho = L ou ativo

Azul= N ou neutro.



### O fusível tem de estar classificado como 3 A.

Para evitar os riscos que estão sempre presentes quando utiliza um aparelho elétrico, é importante que este aparelho esteja instalado corretamente e que leia as instruções de segurança cuidadosamente para evitar usos indevidos e perigos. Guarde este manual de instruções para consulta futura e entregue-o a futuros proprietários. Depois de desembalar o aparelho, verifique se não está danificado. Em caso de dúvida, não use o aparelho e entre em contacto com o serviço de atendimento ao cliente.

O fabricante está isento de qualquer responsabilidade por danos pessoais ou materiais resultantes de uma instalação incorreta ou inadequada do aparelho. Qualquer instalação elétrica permanente deve estar em conformidade com a mais recente regulamentação aplicável a cablagem para o seu país e, para a sua própria segurança, a instalação elétrica deve ser efetuada por um electricista qualificado ou um empreiteiro.

O aparelho é fornecido de fábrica para utilizar uma conduta externa (não fornecida).

Caso o pretenda utilizar apenas em modo de recirculação, instale o filtro de carbono adequado (não fornecido).

## Dados técnicos

Tensão elétrica	220-240V~, 50Hz
Consumo de energia - Ventilador	95W
Consumo de Energia - Luminária	1 x 5,5W máx.
Consumo de energia - Total	100.5W
Classe de proteção	II
Lâmpada	Máx. 5,5W (E14)
Código ILCOS	DBL-5.5-H-E14-35/102

### Informações para a UE n.º 66/2014 e n.º 65/2014

#### A. Informações sobre o exaustor (www.diy.com)

	Símbolo	Valor	Unidade
Identificação do modelo	CLCGS60 / CLCGB60 / CLCGS90 / CLCGB90 / CLCGS70 / CLCGB70		
Consumo anual de energia	CAE do exaustor	46.6	KWh/a

	<b>Símbolo</b>	<b>Valor</b>	<b>Unidade</b>
Fator de aumento de tempo	f	1.6	
Eficiência dinâmica de fluidos	FDE do exaustor	9.8	
Índice de eficiência energética	IEE do exaustor	79.8	
Taxa de fluxo de ar medida no ponto de melhor eficiência	Q BEP	208.6	M <sup>3</sup> /h
Pressão do ar medida no ponto de melhor eficiência	P BEP	123	PA
Fluxo de ar máximo	Q MAX	338.7	M <sup>3</sup> /h
Fluxo de ar em condições normais de utilização		Configuração mais alta: 341 Configuração mais baixa: 195	M <sup>3</sup> /h
Entrada de energia elétrica medida no ponto de melhor eficiência	W BEP	72.9	W
Potência nominal do sistema de iluminação	W L	5.5	W
Iluminação média do sistema de iluminação sobre a superfície de cozedura	E médio	46	lux
Eficiência de iluminação	EI do exaustor	8.4	lux/watt
Consumo de energia medido em modo de espera	P s	–	W
Consumo de energia medido em modo desligado	P o	0	W
Nível de potência de som	L WA	Máx. 62 / min. 58	dB
Eficiência de filtração de gordura	EFG do exaustor	74.6	%

A medição e o método de cálculo da tabela acima foram feitos em conformidade com os regulamentos delegados da Comissão (UE) n.º 65/2014 e regulamentos (UE) n.º 66/2014.

**B. A parte seguinte exemplifica como se pode reduzir o impacto ambiental total (por exemplo, utilização de energia) do processo de cozedura.**

1. Instale o exaustor num local adequado onde exista uma ventilação eficiente.
2. Limpe o exaustor regularmente para não bloquear a passagem de ar.
3. Não se esqueça de desligar a luz do exaustor depois de cozinhar.
4. Não se esqueça de desligar o exaustor depois de cozinhar.

### C. Informações para desmantelamento.

Este aparelho não pode ser desmontado pelo utilizador de uma forma diferente da que está exemplificada na montagem original do manual do utilizador.

No final da sua vida útil, o aparelho não deve ser eliminado juntamente com o lixo doméstico. Consulte o seu representante local de autoridade governamental, serviços de eliminação de resíduos domésticos ou o revendedor onde o produto foi comprado para obter aconselhamento sobre reciclagem.

## Resolução de problemas

Problema	Causa possível	Solução
Vibração excessiva.	O aparelho não está devidamente instalado nos suportes.	Retire o aparelho e verifique se está corretamente fixado.
	A pá do ventilador está danificada.	Desligue o aparelho. Reparação a ser efetuada apenas por pessoal de manutenção qualificado.
	O motor do ventilador não está bem fixo.	
A pá do ventilador está bloqueada.		
A luz está acesa, mas o ventilador não funciona.	O motor está danificado.	
Tanto as luzes como o motor não funcionam.	Lâmpada fundida.	Substitua apenas por uma lâmpada da mesma classificação.
	Ligação de alimentação solta.	Verifique a fonte de alimentação.
Redução do desempenho de sucção.	A velocidade pode ser muito baixa.	Selecione uma velocidade superior.
	Os filtros de alumínio estão sujos.	Limpe os filtros de alumínio. (Consulte a secção Cuidados e manutenção).
	O respiro superior pode estar obstruído.	Elimine qualquer obstrução.
	O kit de ventilação opcional pode estar torcido.	Certifique-se de que o kit de ventilação está montado de acordo com as instruções do fabricante.
	A instalação pode não estar em conformidade com as instruções dos fabricantes.	A mangueira do respiro deve ter um diâmetro correto em todo o comprimento, sem reduções ou restrições. (Consulte a secção de instalação).
Funciona normalmente mas os odores resultantes de cozinhar permanecem.	O filtro de carbono não está instalado no modo de recirculação ou está cheio de gordura.	Instale o filtro de carbono ou substitua o filtro de carvão (Consulte a secção Cuidados e manutenção).

Este aparelho respeita leis da supressão de interferências radioelétricas. Uma vez que o fabricante tem uma política de melhoria contínua dos produtos, este reserva o direito de adaptar e efetuar qualquer alteração considerada necessária sem aviso prévio.

## Garantia comercial

Na Cooke and Lewis empenhamo-nos especialmente na seleção cuidada de materiais de elevada qualidade e utilizamos técnicas de fabrico que nos permitem criar gamas de produtos que incorporam design e durabilidade. Este é o motivo pelo qual disponibilizamos uma garantia de 24 meses que abrange defeitos de fabrico do seu Exaustor vidro curvo.

Este Exaustor vidro curvo dispõe de garantia de 24 meses a partir da data de aquisição, se comprado em loja, ou de entrega, se comprado online, para utilização doméstica normal (não profissional ou comercial). Só pode apresentar uma solicitação ao abrigo desta garantia mediante apresentação do recibo de venda ou da fatura de compra. Guarde o comprovativo de compra num local seguro.

A garantia cobre todos os custos de peças e mão-de-obra associados à reparação do Exaustor vidro curvo, caso sejam detetadas avarias devido a defeitos de material ou de fabrico, dentro de 24 meses após a data de aquisição ou entrega, sujeito às exclusões descritas abaixo e desde que tenha sido usado para os efeitos a que se destina e sujeito a instalação, limpeza, cuidado e manutenção em conformidade com as informações constantes do manual do utilizador. Esta garantia não cobre defeitos e danos causados por desgaste natural do Exaustor vidro curvo, nem danos que possam resultar de utilização, instalação, armazenamento ou montagem incorreta, negligência, acidentes, modificações do produto, itens consumíveis, como filtros de carbono e lâmpadas. A garantia limita-se às peças identificadas como avariadas.

Se o Exaustor vidro curvo apresentar defeitos, iremos proceder à respetiva reparação. Contudo, se, durante o período de garantia, o Exaustor vidro curvo for considerado irreparável por um engenheiro aprovado pelo nosso agente autorizado, reservamo-nos o direito de, a nosso critério, substituir o Exaustor vidro curvo avariado por um Exaustor vidro curvo de substituição. Caso o Exaustor vidro curvo já não se encontre disponível, será disponibilizado um Exaustor vidro curvo alternativo, com funções e especificações equivalentes.

No decurso do trabalho de manutenção efetuado, pode ser necessário retirar o Exaustor vidro curvo da sua posição de montagem. Caso o Exaustor vidro curvo esteja colado, encastrado ou tenha azulejo, condições que impossibilitam a sua remoção, é da responsabilidade do cliente/técnico de instalação retirar e reinstalar o Exaustor vidro curvo para facilitar a reparação ou substituição.

Depois de o Exaustor vidro curvo ter sido reparado ou substituído, qualquer saldo restante do período de garantia será aplicável ao aparelho reparado ou substituído Exaustor vidro curvo.

No caso de qualquer outra pessoa que não um técnico aprovado pelo nosso agente autorizado modificar ou tentar reparar o Exaustor vidro curvo, a garantia perde a respetiva validade. Esta garantia aplica-se apenas ao país de aquisição ou entrega e não é transferível para qualquer outro país. Esta garantia não é transferível para qualquer outra pessoa ou produto. A esta garantia aplicam-se as leis locais relevantes. Esta garantia complementa e não afeta os seus direitos legais de consumidor relativamente a bens com defeito.

As questões relativas a garantia devem ser esclarecidas junto de uma loja afiliada ao distribuidor onde adquiriu o Exaustor vidro curvo.

Para organizar um serviço de manutenção, entre em contacto com os nossos serviços de atendimento ao cliente através dos seguintes números de ligação gratuita; tem de ligar para o número correspondente ao país onde adquiriu o Exaustor vidro curvo:

Portugal 800 814 566 [portugal@kingfisherservice.co.uk](mailto:portugal@kingfisherservice.co.uk)

O distribuidor é responsável por quaisquer defeitos de conformidade do Exaustor vidro curvo, de acordo com os termos da lei relativa a garantias (Decreto-Lei N.º 67/2003), corrigido pelo Decreto-Lei N.º 84/2008.



## Reciclagem e eliminaão

Os resduos de produtos eltricos (REEE) no devem ser eliminados com o lixo domstico.

Recicle nas instalaes adequadas, sempre que existentes. Consulte o seu representante local de autoridade governamental, servios de eliminao de resduos domsticos ou o revendedor onde o produto foi comprado para obter aconselhamento sobre reciclagem.

O smbolo do caixote do lixo com uma cruz por cima, impresso na embalagem, indica que este produto no pode ser eliminado com o lixo domstico. Este produto deve ser entregue a um ponto de recolha de equipamento eltrico e eletrnico para reciclagem. Ao garantir que este produto  eliminado corretamente, est a ajudar a evitar potenciais consequncias negativas para o ambiente e sade pblica, que poderiam ocorrer caso este produto no fosse tratado devidamente.



TR

## Kontrol talimatları

**Bu talimatlar sizin gvenliĐiniz iindir. Ltfen bu cihazı monte etmeye veya kullanmaya bařlamadan nce ařaĐıdaki talimatları dikkatlice okuyun.**

**UYARI:** Tm montaj iřleri, yerel yapı ynetmeliklerine ve bu talimatlara harfiyen uymak kořuluyla yetkili bir kiři tarafından yapılmalıdır.

Elektrikli cihaz kullanırken her zaman mevcut olan risklerden kaınmak iin bu davlumbazın doĐru řekilde monte edilmesi ve yanlıř kullanımdan ve tehlikelerden kaınmak iin gvenlik talimatlarını dikkatli bir řekilde okumanız nemlidir. Davlumbazın ambalajını atıktan sonra ltfen zarar grp grmediĐini kontrol edin. Herhangi bir řpheniz varsa cihazı kullanmayın ve 800 446 321 81 zerinden Mřteri Hizmetleri ile iletiřime gein.

Ambalaj ieriĐini kontrol edin ve listelenen paraların hepsinin elinizde bulunduĐundan emin olup rnnz yerleřtireceĐiniz uygun bir yer belirleyin. Bu rn cam ieriyorsa fiziksel yaralanmayı veya rnn zarar grmesini engellemek iin montaj veya tařıma sırasında ltfen dikkat edin. Bu cihaz zerinde gsterilen zellik

plakasında yedek parça siparişi vermek için gerekli tüm tanımlama bilgileri yer alır. Evden taşınırken bu cihazı satarsanız, birine verirsiniz veya orada bırakırsanız yeni kullanıcının cihazı ve güvenlik uyarılarını öğrenebilmesi için lütfen bu kullanım kılavuzunu da teslim ettiğinizden emin olun.

## Emniyet

- ✓ **UYARI:** Temizlik işleminin bu talimatlara uygun şekilde yapılmaması halinde elektrik çarpması veya yangın riski vardır.
- ✓ **UYARI:** Mümkün olduğunda bu cihaz, sabitleyicilerle birlikte sağlanır. Lütfen sabitleyicileri bu cihazın takılacağı alt yapıya uygun şekilde kullandığınızdan ve bunların cihazın ağırlığını taşıyabileceğinden emin olun.
- ✓ **UYARI:** Yalnızca bu talimat kılavuzunda önerilenlerle aynı ölçülere sahip teçhizat ve montaj vidaları kullanın. Bu talimatlara uyulmaması elektronik hasarlara neden olabilir.
- ✓ **UYARI:** Herhangi bir bakım işi veya temizleme yapmadan önce cihazı ana güç kaynağından kapatın.
- ✓ **UYARI:** Pişirme cihazlarıyla birlikte kullanılan erişilebilir parçalar ısınabilir. Küçük çocuklar cihazdan uzak tutulmalıdır. Cihaza dokunmamaya dikkat edilmelidir.
- ✓ **UYARI:** Davlumbazın altında alev olmamalıdır. Yangın riskini önlemek için gres yağı filtresini düzenli olarak temizleyin veya değiştirin ve sıcak yağ içeren tencereleri dikkatle gözlemleyin.
- ✓ **UYARI:** Bağlantıyı tamamen kesmeye yönelik araçlar, ülkenizdeki yerel kablo tesisatı kurulumu kurallarına uygun şekilde sabit kablo tesisata takılmalıdır. Montaj sırasında tüm kutuplara en az 3 mm'lik temas mesafesine sahip bir tüm kutup bağlantı kesme anahtarı takılmalıdır.
- ✓ **UYARI:** Aspiratör bir cihazın üstüne takıldığında ocak üzerindeki pişirme kaplarının taşıyıcı yüzeyi ile aspiratörün en alçak bölümü arasındaki mesafe en az 760 mm olmalıdır.
- ✓ **UYARI:** Davlumbazı bağlamadan önce beslenen gerilim ve frekansın, cihazın anma değeri plakasında belirtilen değerlere uygun olup olmadığını kontrol edin. Montajın bu talimatlarda

belirtildiği şekilde yapılmaması güvenlik tehlikelerine sebep olabilir. Şüpheli olduğunuzda mağazadan veya yetkili bir montaj ustasından tavsiye isteyin.

- ☑ **UYARI:** Tahliye çıkışları konusunda yerel yönetmeliklere başvurun ve bunlara uyulduğundan emin olun. Davlumbazı yanan gazlardan veya diğer yakıtlardan çıkan tutuşabilir dumanları barındıran bir havalandırmaya veya sıcak hava kanalına bağlamayın. Odadaki havalandırmanın uygun olduğunu yerel kurumlardan doğrulayın.
- ☑ **UYARI:** Davlumbazın çalışması bir elektrostatik boşalma (ör. yıldırım) sırasında durabilir. Bu durumda herhangi bir hasar riski yoktur. Davlumbazın elektrik beslemesini kapatın ve bir dakika sonra tekrar bağlayın.
- ☑ **UYARI:** Bu cihaz, cihazın güvenli bir şekilde kullanılmasına yönelik denetim sağlanıp ilgili talimatların verilmesi ve söz konusu tehlikeleri anlamaları koşuluyla 8 yaş ve üzeri çocuklar ile fiziksel, duyuşsal veya zihinsel becerileri kısıtlı olan ya da gereken deneyime ve bilgi birikimine sahip olmayan kişiler tarafından kullanılabilir. Çocukların cihazla oynamasına izin verilmemelidir. Denetim sağlanmadığı takdirde cihazın temizliği ve bakımı çocuklar tarafından yapılmamalıdır. Cihaza ve cihazın besleme kablosuna 8 yaşından küçük çocukların erişmesini engelleyin.
- ☑ Besleme kablosu zarar gördüğünde bir güvenlik tehlikesini önlemek için bu kablo; üretici, servis sorumlusu veya benzeri yetkili kişiler tarafından değiştirilmelidir.
- ☑ Cihazı, dış mekanda nemli bir yere veya bir lavabo ünitesinin altı veya yanı gibi su sızıntılarına maruz kalabileceği bir yere monte etmeyin. Cihazı etkileyen bir su sızıntı olması halinde cihazı kullanmayın ve müşteri hizmetleriyle iletişime geçerek bir denetim talep edin.
- ☑ Yanıcı spreylere cihazın yakınında kullanmayın.
- ☑ Lütfen ambalaj malzemesini dikkatli bir şekilde imha edin. Temizlik işleminin talimatlara uygun şekilde yapılmaması halinde yangın riski vardır. Alüminyum ve karbon filtreleri (varsa) temizleme ve değiştirme konusunda ayrıntılı bilgi almak için Bakım ve Muhafaza bölümlerine bakın.

- ☑ Kullanılabilecek lamba tipleri ve bunların deęiştirilmesi konusunda ayrıntılı bilgi almak için Bakım ve Muhafaza bölümüne bakın.
- ☑ Bakım ve muhafaza için buharlı temizleyici kullanmayın.
- ☑ Cihaz, harici bir zamanlayıcı veya ayrı uzaktan kumanda sistemi aracılığıyla çalıştırılmaya uygun deęildir.
- ☑ Davlumbaz gaz veya başka yakıtlar kullanan cihazlarla aynı anda kullanıldığında odada yeterli havalandırma sağlanmalıdır. Dumanların tekrar odaya çekilmediğinden emin olmak için montaj alanının negatif basıncının en fazla 4 Pa (0,04 mbar) olduğundan emin olun.
- ☑ Hasar veya kusur işaretleri görülen davlumbazı kullanmayın. Yardım almak için müşteri hizmetleriyle iletişime geçin.
- ☑ Üretici, bu cihazın yanlış kullanımı veya hatalı montajından kaynaklanabilecek kişisel yaralanmalar veya maddi hasarlar konusunda hiçbir sorumluluk kabul etmez.
- ☑ Cihaz yalnızca aspiratör olarak evsel kullanıma yöneliktir.

## Montaj

Montajın tamamı, yetkili bir kişi veya uzman bir elektrik tesisatçısı tarafından yapılmalıdır. Ana güç kaynağını bağlamadan önce ana voltajın, anma deęeri plakasındaki voltajla uyumlu olduğundan emin olun.

### Doğrudan Bağlantı

Cihaz, omnipolar devre kesici kullanılarak kontaklar arasında minimum 3 mm'lik bir açıklıkla doğrudan ana güç kaynağına bağlanmalıdır.

Montajı yapan kişi, doğru elektrik bağlantısının yapıldığından ve bunun kablo bağlantı şemasına uygun olduğundan emin olmalıdır.

Kablo bükülmemeli veya sıkıştırılmamalıdır.

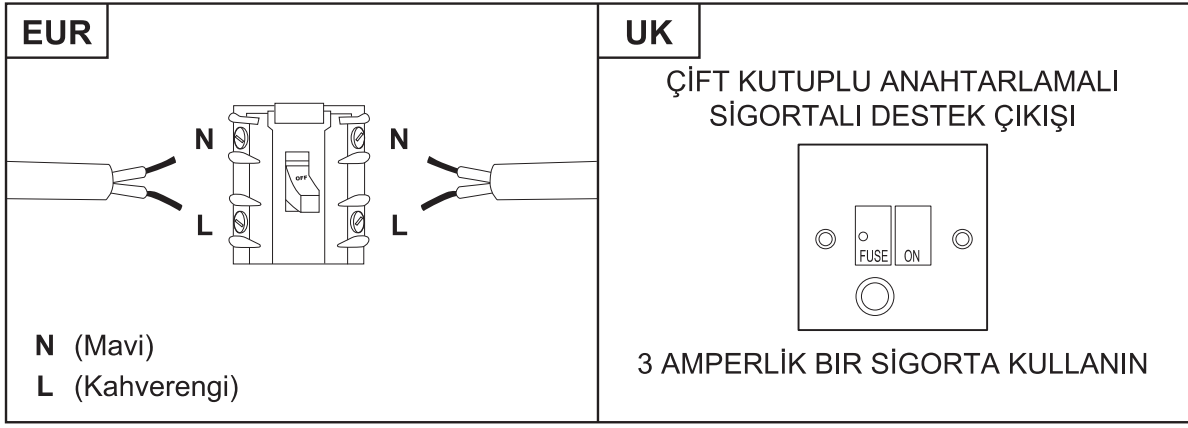
Elektrik fişinin ve güç kablosunun zarar görüp görmediğini düzenli olarak kontrol edin. Besleme kablosu zarar gördüğünde üreticiden veya servis sorumlusundan temin edilebilecek özel bir kablo veya tertibat ile deęiştirilmelidir.

### UYARI: Bu bir Sınıf II cihazdır ve TOPRAKLANMAMALIDIR

Bu cihaz aşağıdaki şekilde renkli 2 ana güç kablosu ile tedarik edilir:

Kahverengi = L veya Elektrik Yüklü

Mavi = N veya Yüksüz.



### Sigorta 3 Amper olmalıdır.

Elektrikli cihaz kullanırken her zaman mevcut olan risklerden kaçınmak için bu cihazın doğru şekilde monte edilmesi ve yanlış kullanımdan ve tehlikelerden kaçınmak için güvenlik talimatlarını dikkatli bir şekilde okumanız önemlidir. Lütfen gelecekte referans olması açısından bu talimat kılavuzunu saklayın ve gelecekteki sahiplerine teslim edin. Cihazın ambalajını açtıktan sonra lütfen zarar görüp görmediğini kontrol edin. Şüphe duyduğunuzda cihazı kullanmayın ve Müşteri Hizmetleri ile iletişime geçin.

Üretici, cihazın yanlış veya hatalı montaj nedeniyle kişilere ve nesnelere gelebilecek zararlar konusunda hiçbir sorumluluk kabul etmez. Tüm kalıcı elektrik tesisatı kurulumları, ülkenizde geçerli olan en son kablo tesisatı yönetmeliklerine uymalıdır ve sizin güvenliğiniz için elektrik tesisatı kurulumunu yetkili bir elektrik tesisatçısı veya yüklenici taraf yapmalıdır.

Cihaz, fabrika tarafından harici kanal (cihazla birlikte verilmez) kullanacak şekilde sağlanır. Bunu yalnızca devridaim modunda kullanmak isterseniz lütfen doğru karbon filtresini (cihazla birlikte verilmez) kullanın.

## Teknik veriler

Besleme gerilimi	220-240V~, 50 Hz
Güç tüketimi - Fan	95 W
Güç tüketimi - Armatür	1 x 5,5 W Maks.
Güç tüketimi - Toplam	100.5W
Koruma sınıfı	II
Ampul	Maks. 5,5 W (E14)
ILCOSA Kodu	DBL-5.5-H-E14-35/102

### 66/2014 ve 65/2014 sayılı AB tüzüğüne ilişkin bilgiler

#### A. Davlumbaz hakkında bilgiler (www.diy.com)

	Sembol	Değer	Birim
Model Tanımlama Bilgisi	CLCGS60 / CLCGB60 / CLCGS90 / CLCGB90 / CLCGS70 / CLCGB70		
Yıllık Enerji Tüketimi	AEC davlumbaz	46.6	KWh/a
Zaman artırma faktörü	f	1.6	
Sıvı Dinamiği Verimliliği	FDE davlumbaz	9.8	
Enerji Verimliliği Dizini	EEl davlumbaz	79.8	



	<b>Sembol</b>	<b>Değer</b>	<b>Birim</b>
En iyi verimlilik noktasında ölçülen hava akışı hızı	Q BEP	208.6	M <sup>3</sup> /h
En iyi verimlilik noktasında ölçülen hava basıncı	P BEP	123	PA
Maksimum hava akışı	Q MAX	338.7	M <sup>3</sup> /h
Normal kullanımda hava akışı		En yüksek ayar: 341 En düşük ayar: 195	M <sup>3</sup> /h
En iyi verimlilik noktasında ölçülen elektrik gücü girişi	W BEP	72.9	W
Aydınlatma sisteminin nominal gücü	W L	5.5	W
Pişirme yüzeyi üzerindeki aydınlatma sisteminin ortalama aydınlatması	E orta	46	Lüks
Işık Verimliliği	LE davlumbaz	8.4	Lüks/vat
Bekleme modunda ölçülen güç tüketimi	P s	–	W
Kapalı modda ölçülen güç tüketimi	P o	0	W
Ses gücü seviyesi	L WA	Maks. 62 / Min. 58	dB
Gres Yağı Filtreleme Verimliliği	GFE davlumbaz	74.6	%

Yukarıdaki tablonun ölçüm ve hesaplama yöntemi, 65/2014 sayılı Kanun Hükmünde Komisyon Tüzüğü (AB) ve 66/2014 sayılı Komisyon Tüzüğü (AB) uyarınca yapılmıştır.

**Pişirme sürecinin toplam çevre etkisinin (ör. elektrik kullanımı) nasıl azaltılabileceği aşağıda gösterilmiştir.**

1. Davlumbazı etkili havalandırmanın bulunduğu uygun bir yere monte edin.
2. Hava yolunun tıkanmasını engellemek için davlumbazı düzenli olarak temizleyin.
3. Pişirme işi bittikten sonra davlumbaz lambasını kapatmayı unutmayın.
4. Pişirme işi bittikten sonra davlumbazı kapatmayı unutmayın.

**C. Cihazı parçalarına ayırmaya yönelik bilgiler.**

Bu cihaz, kullanıcı kılavuzunun orijinal montaj bölümünde gösterilenden farklı bir şekilde kullanıcı tarafından parçalarına ayrılamaz.

Kullanım ömrünün sonunda cihaz, evsel atıklarla birlikte imha edilmemelidir. Geri dönüştürme tavsiyesi almak için yerel resmi kuruma, evsel atık imha etme servislerine veya ürünü satın aldığınız bayiye başvurun.

## Sorun giderme

Sorun	Olası neden	Çözüm
Aşırı titreşim.	Cihaz destekleyiciler üzerine uygun şekilde monte edilmemiş.	Cihazı indirip doğru şekilde sabitlenip sabitlenmediğini kontrol edin.
	Fan kanadı hasarlı.	Cihazı kapatın. Onarım işi yalnızca yetkili servis personeli tarafından yapılmalıdır.
	Fan motoru tam sabitlenmemiştir.	
Lamba açık ancak fan çalışmıyor.	Fan kanadı sıkışmış.	Doğru anma değerinde bir ampulle değiştirin.
	Motor hasarlı.	
Lamba ve motor çalışmıyor.	Ampul patlamış.	Daha yüksek bir hız seçin.
	Güç bağlantısı gevşemiş.	Alüminyum filtreleri temizleyin. (Bakım ve muhafaza bölümüne bakın).
Emme performansı düşük.	Hız çok yavaş olabilir.	Varsa tıkanıklığı giderin.
	Alüminyum filtreler kirlidir.	Havalandırma kitinin üreticinin talimatlarına göre takıldığından emin olun.
	Üst havalandırma tıkanmış olabilir.	Havalandırma hortumu herhangi bir daralma veya sınırlama olmadan her noktada doğru çapta olmalıdır (Montaj bölümüne bakın).
	İsteğe bağlı havalandırma kiti bükülmüş olabilir.	
	Montaj üreticinin talimatlarına uygun olmayabilir.	
Normal çalışıyor ancak yemek kokuları dağılıyor.	Karbon filtre devridaim modunda takılmamış veya gres yağı ile dolmuş.	Karbon filtre takın veya karbon filtreyi değiştirin (Bakım ve muhafaza bölümüne bakın).

Bu cihaz, radyo parazitlerinin giderilmesine ilişkin kanunlara uygundur. Üretici, sürekli ürün geliştirme politikasına sahip olduğundan gerekli görülen değişiklikleri önceden uyarıda bulunmaksızın uyarılama ve gerçekleştirme hakkına sahiptir.

## Ticari Garanti

Cooke and Lewis markası için yüksek kaliteli malzemeler seçmeye ve tasarımı ve dayanıklılığı bir arada sunan ürün yelpazeleri oluşturmamızı sağlayan üretim tekniklerini kullanmaya özen gösteririz. Bu nedenle Oval Cam Davlumbaz ürününde karşılaşılabilecek üretim kusurları için 24 aylık garanti sunarız.

Bu Oval Cam Davlumbaz ürünü, normal (profesyonel veya ticari olmayan) evsel kullanım amacıyla mağazadan veya çevrimiçi olarak satın alım tarihinden itibaren 24 ay garanti kapsamındadır. Bu garanti kapsamında yalnızca satış makbuzunuzu veya faturanızı sunmanız şartıyla şikayette bulunabilirsiniz. Lütfen ürünü satın aldığınıza dair kanıtı güvenli bir yerde muhafaza edin.

Bu garanti, aşağıdaki istisnalar hariç olmak üzere ve kullanım kılavuzunda yer alan bilgiler uyarınca amacına uygun kullanılmış ve montaja, temizliğe ve bakıma tabi tutulmuş olması şartıyla Oval Cam Davlumbaz ürününün satın alma veya teslim tarihinden itibaren 24 ay içinde arızalı malzeme sebebiyle veya işçilik bakımından kusurlu bulunması halinde onarıma ilişkin tüm parça ve işçilik maliyetlerini kapsar. Bu garanti, Oval Cam Davlumbaz ürününün normal aşınma ve yıpranması sebebiyle ortaya çıkabilecek kusur ve hasarları, uygunsuz kullanım, yanlış kurulum, depolama veya

montaj, ihmalkarlık, kaza, ürün modifikasyonu, karbon filtreler ve ampuller gibi sarf malzemeleri sebebiyle oluşabilecek hasarları. Garanti, sadece kusurlu olduğu kabul edilen parçalarla sınırlıdır.

Oval Cam Davlumbaz ürününün kusurlu olması halinde onarımı tarafımızca gerçekleştirilir. Ancak, garanti süresi içinde Oval Cam Davlumbaz ürününün yetkili bir temsilcimizin onayladığı mühendis tarafından onarılamaz durumda olduğuna kanaat getirilmesi durumunda kendi takdirimize bağlı olarak kusurlu Oval Cam Davlumbaz ürününü Oval Cam Davlumbaz ürünüle değiştirme hakkımızı saklı tutarız. Aynı Oval Cam Davlumbaz ürünü artık mevcut değilse eşdeğer işlevlere ve teknik özelliklere sahip alternatif bir Oval Cam Davlumbaz ürünü sunulur.

Servis işlemi sırasında ankastre Oval Cam Davlumbaz ürününün takıldığı yerden sökülmesi gerekebilir. Oval Cam Davlumbaz ürünü sökülemez şekilde yapıştırılmış, harçla doldurulmuş veya fayansla kaplanmışsa onarımı veya değişimi kolaylaştırmak için Oval Cam Davlumbaz ürününün sökme ve yeniden monte etme sorumluluğu müşteriye/montaj ustasına aittir.

Oval Cam Davlumbaz ürünü onarıldıktan veya değiştirildikten sonra garanti süresinin kalanı, onarılan veya değiştirilen Oval Cam Davlumbaz ürünü için geçerli olur.

Yetkili temsilcimizin onayladığı mühendis dışında herhangi bir kişi Oval Cam Davlumbaz ürününü değiştirir veya onarmaya çalışırsa garanti geçersiz olur. Bu garanti yalnızca ürünün satın alındığı veya teslim edildiği ülke için geçerlidir ve başka ülkelere aktarılamaz. Bu garanti, başka bir kişiye veya ürüne aktarılamaz. Bu garanti için ilgili yerel kanunlar geçerlidir. Bu garanti, bir tüketici olarak arızalı mallara ilişkin temel haklarınıza ilave olarak verilir ve bu temel haklarınızı etkilemez.

Garantiye ilişkin sorular, Oval Cam Davlumbaz ürününü satın aldığınız distribütörün ilişkili olduğu mağazaya yönlendirilmelidir.

Bir servis çağrısı planlamak için lütfen aşağıdaki Ücretsiz numaralardan Oval Cam Davlumbaz ürününü satın aldığınız ülkeye ait olanı bularak müşteri hizmetlerimizle iletişime geçin:

Türkiye 800 446 321 81 turkey@kingfisherservice.com

## Geri dönüşürme ve imha etme

Atık elektrikli ürünler (WEEE), evsel atıklarla birlikte imha edilmemelidir.

Olanakların mevcut olduğu durumlarda lütfen geri dönüşümden geçirin. Geri dönüşürme tavsiyesi almak için yerel resmi kuruma, evsel atık imha etme servislerine veya ürünü satın aldığınız bayiye başvurun.

Ürünün veya ambalajının üzerindeki konteyner sembolü, bu ürünün normal evsel atıklarla aynı şekilde imha edilemeyeceğini gösterir. Bu ürün, geri dönüşürmek üzere elektrikli ve elektronik ekipman toplama noktasına teslim edilmelidir. Bu ürünün doğru şekilde imha edilmesini sağlayarak ürünün yanlış imha edilmesi sonucunda çevrede ve kamu sağlığında oluşabilecek olası olumsuz etkileri engellemeye yardımcı olacaksınız.



**Manufacturer • Fabricant • Producent •  
Producător • Fabricante:**

**UK Manufacturer:**

Kingfisher International Products Limited,  
3 Sheldon Square, London, W2 6PX,  
United Kingdom

**EU Manufacturer:**

Kingfisher International Products B.V.  
Rapenburgerstraat 175E  
1011 VM Amsterdam  
The Netherlands  
[www.kingfisher.com/products](http://www.kingfisher.com/products)

**EN**

[www.diy.com](http://www.diy.com)  
[www.screwfix.com](http://www.screwfix.com)  
[www.screwfix.ie](http://www.screwfix.ie)

**To view instruction manuals online,  
visit [www.kingfisher.com/products](http://www.kingfisher.com/products)**

**FR**

[www.castorama.fr](http://www.castorama.fr)  
[www.bricodepot.fr](http://www.bricodepot.fr)

**Pour consulter les manuels d'instructions  
en ligne, rendez-vous sur le site  
[www.kingfisher.com/products](http://www.kingfisher.com/products)**

**PL**

[www.castorama.pl](http://www.castorama.pl)

**Aby zapoznać się z instrukcją obsługi online,  
odwiedź stronę [www.kingfisher.com/products](http://www.kingfisher.com/products)**

**RUS**

**Импортер:**

ООО «Касторама РУС»  
Дербеневская наб., дом 7, стр.8,  
Россия, Москва, 115114  
[www.castorama.ru](http://www.castorama.ru)

**Изготовитель для России:**

Чжуншань Хунвэй Мотор Мануфактуринг  
Ко., Лтд

**Адрес:**

Дорога Юху 2, Блок С промышленного  
квартала Мао Ху, город Хинлянь,  
Чжуншань, Гуандун, Китай

**Онлайн-версии руководств по  
эксплуатации доступны на странице  
[www.kingfisher.com/products](http://www.kingfisher.com/products)**

**RO**

[www.bricodepot.ro](http://www.bricodepot.ro)

**Pentru a consulta manualele de instrucțiuni  
online, vizitați [www.kingfisher.com/products](http://www.kingfisher.com/products)**

**ES**

[www.bricodepot.es](http://www.bricodepot.es)

**Para consultar los manuales de instrucciones  
en línea, visite [www.kingfisher.com/products](http://www.kingfisher.com/products)**

**PT**

[www.bricodepot.pt](http://www.bricodepot.pt)

**Para consultar manuais de instruções online,  
visite [www.kingfisher.com/products](http://www.kingfisher.com/products)**

**TR**

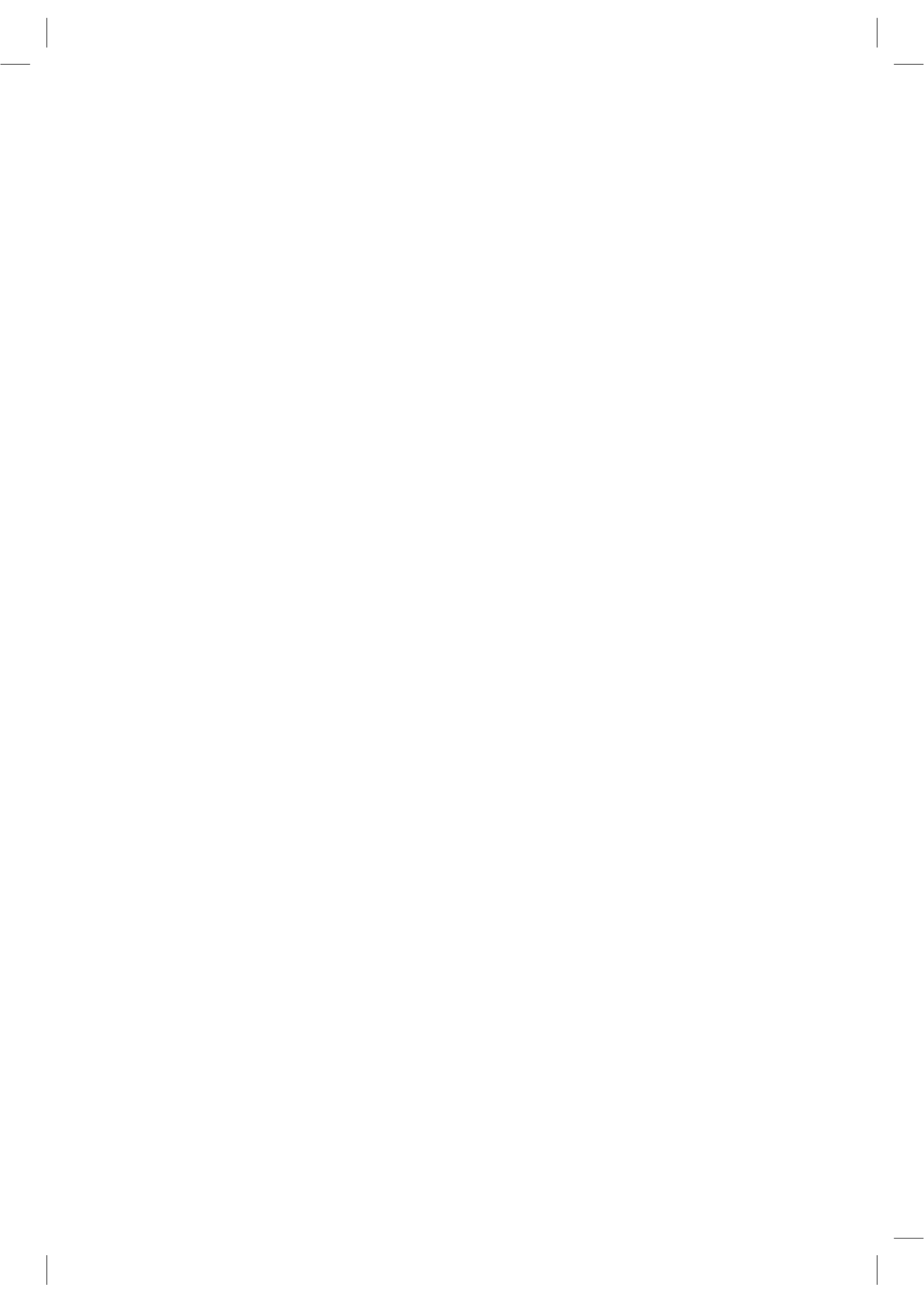
**İthalatçı Firma:**

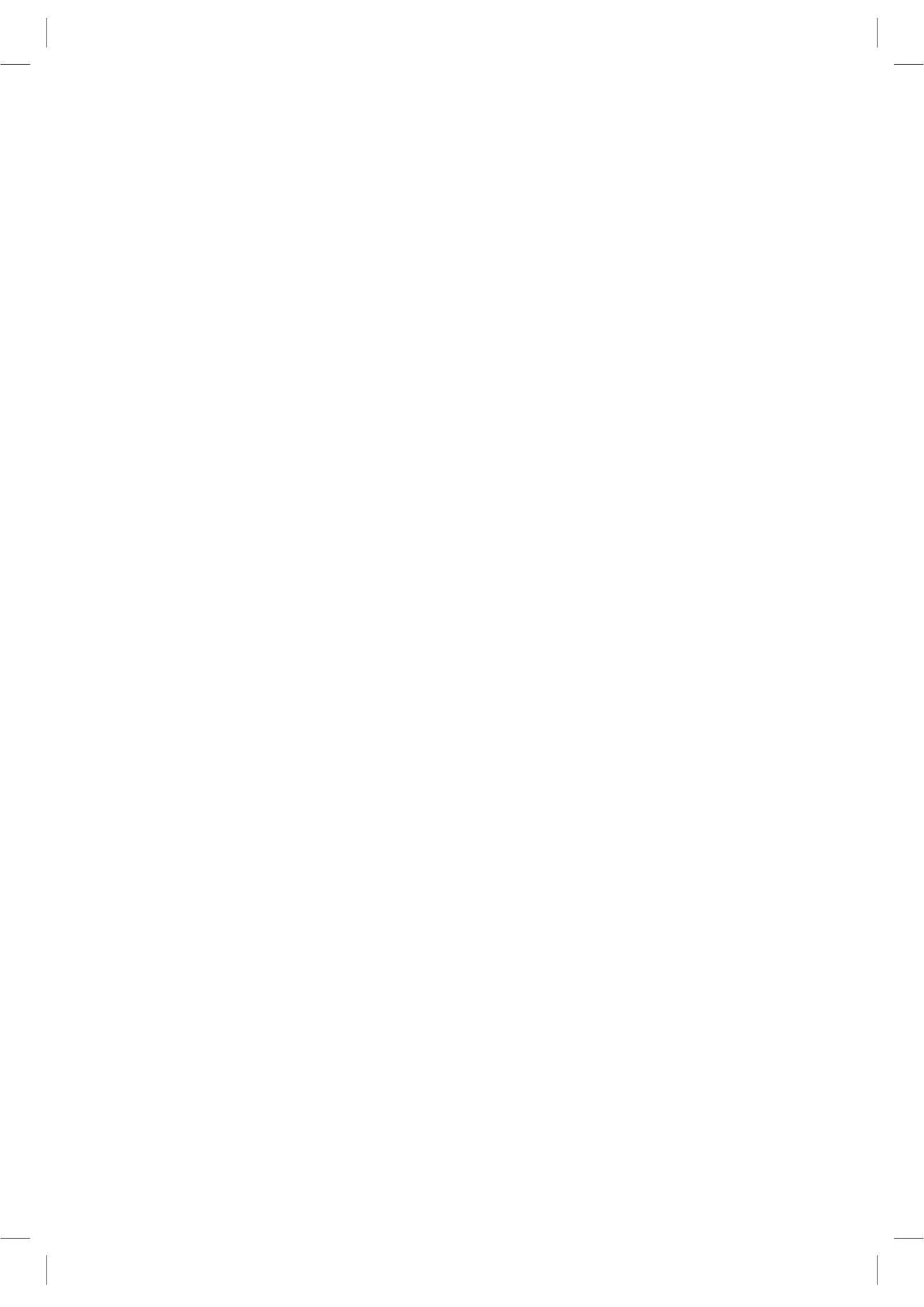
KOÇTAŞ YAPI MARKETLERİ TİC. A.Ş.  
Taşdelen Mah. Sırrı Çelik Bulvarı No:5  
34788 Taşdelen/Çekmeköy/İSTANBUL  
Tel: +90 216 4300300  
Faks: +90 216 4844313  
[www.koctas.com.tr](http://www.koctas.com.tr)

**Kullanım kılavuzuna internet üzerinden ulaşmak  
için [www.kingfisher.com/products](http://www.kingfisher.com/products) adresini  
ziyaret edin**

Yetkili servis istasyonları ve yedek parça temini için  
aşağıda yer alan Koçtaş Müşteri Hattı ve Koçtaş  
Genel Müdürlük irtibat bilgilerinden faydalanınız.

KOÇTAŞ MÜŞTERİ HİZMETLERİ  
0850 209 50 50



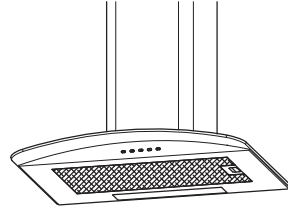




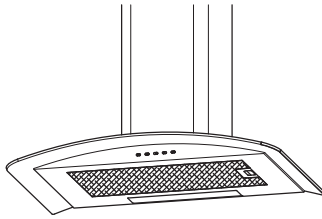




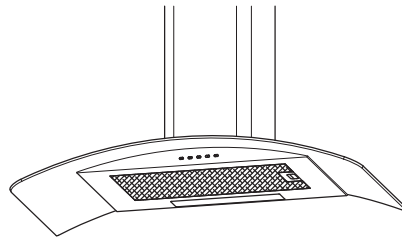
COOKE  
& LEWIS™



**CLCGS60 3663602842590**  
**CLCGB60 3663602842606**



**CLCGS70 3663602842774**  
**CLCGB70 3663602691761**



**CLCGS90 3663602842613**  
**CLCGB90 3663602842620**

V60920 BX220IM

**NOTE: A4 and has been resized to A5**

**King**  **fisher**

**Organik**

SEPARATIONS	JOB INFO	
 PROCESS BLACK	PID #: 00001 Agency job #: 10292V5 Product Description: Chimney Barcodes: CLCGS60 3663602842590 CLCGB60 3663602842606 CLCGS70 3663602842774 CLCGB70 3663602691761 CLCGS90 3663602842613 CLCGB90 3663602842620	Brand: Cooke & Lewis Brand Contact: emma.richardson@kingfisher.com Vendor: Global Asian No. of new line drawings: xx Page size A4 / No. of printed pages 60
	VERSION #	
	<div style="display: flex; justify-content: space-around; align-items: center;"> <div style="text-align: center;"> <span style="border: 1px solid black; border-radius: 50%; padding: 2px;">1</span>  <small>06/02/18 AM</small> </div> <div style="text-align: center;"> <span style="border: 1px solid black; border-radius: 50%; padding: 2px;">R</span> </div> <div style="text-align: center;"> <span style="border: 1px solid black; border-radius: 50%; padding: 2px;">3</span>  <small>08/02/17 TJB</small> </div> <div style="text-align: center;"> <span style="border: 1px solid black; border-radius: 50%; padding: 2px;">4</span>  <small>00/00/17 INITIALS</small> </div> <div style="text-align: center;"> <span style="border: 1px solid black; border-radius: 50%; padding: 2px;">5</span>  <small>00/00/17 INITIALS</small> </div> <div style="text-align: center;"> <span style="border: 1px solid black; border-radius: 50%; padding: 2px;">6</span>  <small>00/00/17 INITIALS</small> </div> <div style="text-align: center;"> <span style="border: 1px solid black; border-radius: 50%; padding: 2px;">7</span>  <small>00/00/17 INITIALS</small> </div> <div style="text-align: center;"> <span style="border: 1px solid black; border-radius: 50%; padding: 2px;">8</span>  <small>00/00/17 INITIALS</small> </div> </div>	
This file is the property of Kingfisher Group Plc. No copying, alteration or amendment is permitted without written authorisation from the Kingfisher Brand Team.  翠丰集团不会以专色(PMS)作参考, 请参照已提供的印刷标准及Lab色彩数值生产以符合印刷品之标准。 本文件的版权归翠丰集团所有。未经翠丰品牌团队的书面同意, 不得对本文件进行复制、变更或修改。		



**EN** IMPORTANT - Please read carefully the separate safety guide before use.

**FR** IMPORTANT - Lire attentivement le guide de sécurité séparé avant utilisation.

**PL** WAŻNE - Przed użyciem proszę dokładnie zapoznać się z instrukcją bezpieczeństwa.

**DE** WICHTIG - Bitte lesen sie die separaten sicherheitsanweisungen vor gebrauch.

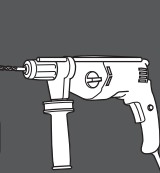
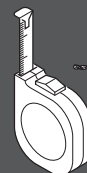
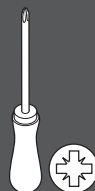
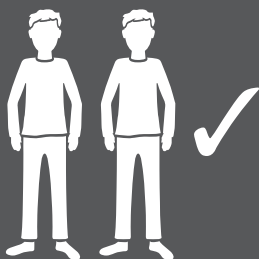
**RUS** ВАЖНО - Пожалуйста, внимательно прочитайте отдельное руководство по технике безопасности перед использованием.

**RO** IMPORTANT - Vă rugăm să citiți cu atenție ghidul de siguranță separat înainte de utilizare.

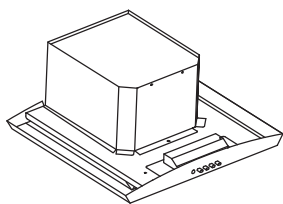
**ES** IMPORTANTE - Lea atentamente la guía de seguridad separado antes de utilizar.

**PT** IMPORTANTE - Leia atentamente o guia de segurança separado antes de usar.

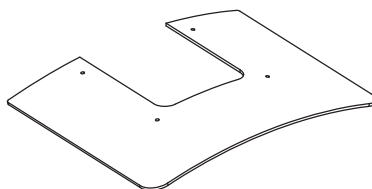
**TR** ÖNEMLI - Kullanmadan önce emniyet kurallarını lütfen dikkatle okuyun.



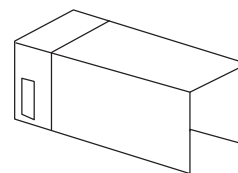
6mm



[01] x1



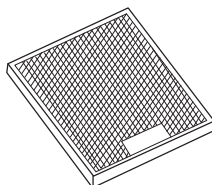
[02] x1



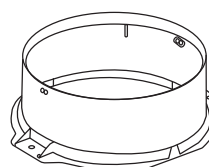
[03] x1



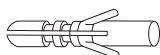
[04] x1



[05] x1



[06] x1



[07] x6



[08] x6  
(4 x 32mm)



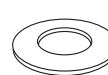
[09] x4  
(3,5 x 10mm)



[10] x4



[11] x4

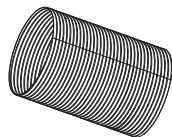


[12] x4

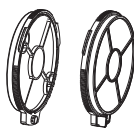


[13] x1

- EN Not included
- FR Non inclus
- PL Nie dołączono
- DE Nicht inbegriffen
- RUS Не прилагается
- RO Nu este inclus
- ES No incluido
- PT Não incluída
- TR Dahil değildir



VENT PACK (Ø150mm)  
3663602843153



CARBFILT4  
3663602843092

- EN This appliance includes a universal motor body. Replacement glass panels are available in 60, 70 and 90cm options. Please contact the customer service helpline for advice at the end of the Care & Maintenance section.
- FR Cet appareil comprend un corps de moteur universel. Les panneaux en verre de remplacement sont disponibles en option en version 60, 70 et 90 cm. Contacter le service client par téléphone pour obtenir des conseils (voir la fin de la section Entretien).
- PL To urządzenie jest wyposażone w uniwersalną obudowę silnika. Wymienne panele szklane są dostępne w następujących rozmiarach: 60, 70 i 90 cm. Skorzystaj z infolinii dla klientów w celu uzyskania porady – patrz koniec rozdziału ‘Utrzymanie i konserwacja’.
- DE Im Lieferumfang dieses Geräts ist ein Universal-Motorgehäuse enthalten. Ersatzglasplatten sind in den Ausführungen 60, 70 und 90 cm erhältlich. Bei Fragen hierzu nutzen Sie bitte die Kundendienst-Hotline, die Sie am Ende des Abschnitts Pflege & Wartung finden.
- RUS Прибор оборудован универсальным электродвигателем. Сменные стеклянные панели доступны в следующих размерах: 60, 70 и 90 см. Обратитесь за советом в центр обслуживания клиентов (см. в конце раздела «Уход и обслуживание»).
- RO Acest aparat include un corp de motor universal. Panourile de sticlă de rezervă sunt disponibile în dimensiuni de 60, 70 și 90 cm. Pentru sfaturi contactați serviciul clienți, la finalul secțiunii Îngrijire și întreținere.
- ES Este aparato incluye una carcasa de motor universal. Hay paneles de vidrio de repuesto disponibles en opciones de 60, 70 y 90 cm. Póngase en contacto con el servicio de atención telefónica al cliente para recibir asesoramiento; encontrará los datos al final de la sección Cuidado y mantenimiento.
- PT Este aparelho inclui um corpo de motor universal. Os painéis de vidro de substituição estão disponíveis em opções de 60, 70 e 90 cm. Para obter aconselhamento, contacte a linha de atendimento ao cliente disponível na parte final da secção Cuidados e Manutenção.
- TR Bu cihazda genel amaçlı bir motor gövdesi bulunur. Yedek cam panellerinin 60, 70 ve 90 cm seçenekleri mevcuttur. Tavsiye için lütfen Bakım ve muhafaza bölümünün sonunda belirtilen müşteri hizmeti yardım hattıyla iletişime geçin.



EN Preparation    FR Préparation    PL Przygotowanie  
 DE Vorbereitung    RUS Подготовка    RO Pregătire  
 ES Preparación    PT Preparação    TR Hazırlık

2



EN Installation    FR Installation    PL Instalacja  
 DE Installation    RUS Установка    RO Instalare  
 ES Instalación    PT Instalação    TR Montaj

5



EN Use    FR Utilisation    PL Użytkowanie    DE Benutzung    RUS Использование  
 RO Utilizare    ES Uso    PT Utilização    TR Kullanım

EN	29	RO	45
FR	32	ES	48
PL	35	PT	51
DE	38	TR	54
RUS	41		



+



EN Care & maintenance    FR Entretien et maintenance  
 PL Pielęgnacja i konserwacja    DE Pflege und Wartung  
 RUS Уход и обслуживание    RO Îngrijire și întreținere  
 ES Cuidados y Mantenimiento    PT Cuidados e manutenção  
 TR Bakım ve Onarım

EN	30	RO	46
FR	33	ES	49
PL	36	PT	52
DE	39	TR	55
RUS	42		



EN Installation  
DE Installation  
ES Instalación

FR Installation  
RUS Установка  
PT Instalação

PL Instalacja  
RO Instalare  
TR Montaj

EN This appliance must be installed correctly by a qualified person, strictly following the manufacturer's instructions.

**Warning:** Danger of electric shock! The power supply must be cut off before the appliance is installed completely.

Only a qualified person in compliance with the instructions provided can install the appliance. The manufacturer declines all responsibility for improper installation, which may harm persons and animals and cause damage.

Check the package and make sure you have all of the parts listed.

Decide on the appropriate location for your product.

This product contains glass, please take care fitting or handling to prevent personal injury or damage to the product.

**Important:** If the room contains a fuel burning appliance, such as a gas, or oil fired, central heating boiler, which is not of the 'Balanced Flue' type, you should make sure that there is adequate air inlet into the room at all times so that fumes from the boiler are not drawn back into the room by the Cooker Hood.

The specifications plate is available on this appliance. This plate displays all the necessary identification information for ordering replacement parts.

If you sell the appliance, give it away, or leave it behind when you move house, make sure you also pass on this manual so that the new owner can become familiar with the appliance and its safety warnings.

FR Cet appareil doit être correctement installé par une personne qualifiée, en suivant rigoureusement les instructions du fabricant.

**Avertissement :** risque de choc électrique ! L'alimentation électrique doit être coupée avant que l'appareil ne soit installé complètement.

Seule une personne qualifiée, conformément aux instructions fournies, peut installer l'appareil. Le fabricant décline toute responsabilité en cas d'installation incorrecte susceptible de blesser des personnes et des animaux et de provoquer des dommages.

Vérifier l'emballage et s'assurer qu'il contient toutes les pièces énumérées.

Décider de l'emplacement approprié pour votre produit.

Ce produit comporte du verre, rester prudent lors du montage ou de la manipulation pour éviter toute blessure ou dommage du produit.

**Important :** si la pièce est équipée d'un appareil à combustion, par exemple une chaudière centrale au gaz ou au fioul, qui n'est pas de type insert "étanche", vous devez vous assurer qu'une quantité suffisante d'air entre dans la pièce, de sorte que les vapeurs provenant de la chaudière ne soient pas renvoyées dans la pièce par la hotte de cuisine.

Une plaque signalétique est disponible sur cet appareil. Cette plaque affiche toutes les informations d'identification nécessaires pour commander des pièces de rechange.

Si vous vendez l'appareil, si vous le donnez, ou si vous le laissez lors de votre déménagement, assurez-vous de transmettre ce manuel de façon à ce que le nouveau propriétaire puisse se familiariser avec l'appareil et les avertissements de sécurité.



☉ To urządzenie musi zostać prawidłowo zamontowane przez wykwalifikowaną osobę, ściśle przestrzegającą instrukcji producenta.

**Ostrzeżenie :** Ryzyko porażenia prądem! Zasilanie musi być odcięte do momentu zakończenia montażu urządzenia.

Wyłącznie wykwalifikowana osoba może zamontować to urządzenie, postępując zgodnie z instrukcjami. Producent zrzeka się wszelkiej odpowiedzialności za nieprawidłowy montaż, który może spowodować obrażenia u ludzi i zwierząt lub uszkodzenia mienia.

Sprawdzić zawartość opakowania i upewnić się, że wszystkie elementy zostały dostarczone zgodnie ze specyfikacją.

Należy określić odpowiednie miejsce montażu produktu.

Ten produkt zawiera szkło; podczas montażu lub obsługi zachować ostrożność, aby uniknąć obrażeń ciała i uszkodzeń mienia.

**Ważne:** Jeśli w pomieszczeniu znajduje się urządzenie zasilane paliwem gazowym, lub zasilany olejem kocioł centralnego ogrzewania, który nie jest wyposażony w zamkniętą komorę spalania, należy upewnić się, że w pomieszczeniu przez cały czas dostępny jest odpowiedni wlot powietrza, aby opary generowane przez te urządzenia nie były zasysane przez okap kuchenny.

Na okapie znajduje się tabliczka znamionowa. Tabliczka przedstawia wszystkie informacje dotyczące specyfikacji potrzebne do zamówienia części zamiennych.

W przypadku sprzedaży urządzenia lub przeprowadzki należy oddać tabliczkę lub pozostawić ją na swoim miejscu. Należy również przekazać niniejszą instrukcję obsługi nowemu właścicielowi, aby umożliwić mu zaznajomienie się z urządzeniem i ostrzeżeniami dotyczącymi bezpieczeństwa.

☉ Dieses Gerät ist korrekt und durch eine entsprechend qualifizierte Person unter Beachtung der Herstelleranweisungen zu installieren.

**Warnung:** Stromschlaggefahr! Vor der Installation des Geräts muss die Stromversorgung ausgeschaltet werden.

Die Installation des Geräts darf ausschließlich durch eine entsprechend qualifizierte Person und unter Beachtung der Anweisungen erfolgen. Der Hersteller haftet nicht für eine unsachgemäße Installation, die zu Verletzungen von Menschen und Tieren führen und Schäden verursachen kann.

Überprüfen Sie die Verpackung und stellen Sie sicher, dass alle aufgeführten Teile in der Packung vorhanden sind.

Wählen Sie einen geeigneten Einsatzort für Ihr Produkt.

Dieses Produkt enthält Glas. Gehen Sie beim Montieren und Handhaben umsichtig vor, um Verletzungen oder eine Beschädigung des Produkts zu vermeiden.

**Wichtig:** Befindet sich im Raum eine Vorrichtung zum Verbrennen von Brennstoff, beispielsweise eine Gas- oder Ölzentralheizung, die über keinen "Ausgleichsabzug" verfügt, sollten Sie sicherstellen, dass der Raum permanent mit ausreichend Frischluft versorgt wird, sodass keine Brandgase der Heizung von der Dunstabzugshaube in den Raum zurückgesaugt werden.

Auf dem Gerät befindet sich ein Typenschild. Auf diesem Schild befinden sich alle für die Bestellung von Ersatzteilen erforderlichen Informationen.

Wenn Sie das Gerät bei einem Umzug verkaufen, verschenken oder zurücklassen, stellen Sie bitte sicher, dass Sie dieses Handbuch weitergeben, sodass sich der neue Besitzer mit dem Gerät und seinen Sicherheitshinweisen vertraut machen kann.

☉ Установка прибора должна производиться квалифицированным специалистом со строгим соблюдением инструкций производителя.

**Предупреждение.** Риск поражения электрическим током! Не подключайте прибор к источнику питания до полного завершения установки.

Установка может производиться только квалифицированным специалистом в соответствии с приведенными инструкциями. Производитель снимает с себя всю ответственность за неправильную установку, которая может повлечь за собой ущерб и нанести вред людям и животным.

Проверьте комплект поставки и убедитесь в наличии всех указанных деталей.

Выберите подходящее место для установки прибора.

Прибор содержит элементы из стекла, поэтому во избежание травм и повреждения самого прибора соблюдайте необходимые меры предосторожности при установке и эксплуатации.

**Важно.** Если в помещении установлен отопительный прибор без уравновешенной тяги, например газовый или жидкотопливный котел центрального отопления, убедитесь, что в помещение всегда поступает достаточно воздуха, чтобы кухонная вытяжка не затягивала обратно дымовые газы.

На приборе присутствует табличка с техническими характеристиками. Она содержит всю информацию, необходимую для заказа запасных деталей.

Если вы собираетесь продать прибор, отдать его или оставить новым жильцам при переезде, передайте данное руководство новому владельцу прибора, чтобы он мог ознакомиться с необходимой информацией и правилами безопасности.

Ⓜ Acest aparat trebuie instalat corespunzător de o persoană calificată, urmând cu strictețe instrucțiunile producătorului.

**Avertisment:** Pericol de electrocutare! Alimentarea trebuie întreruptă înainte de montarea completă a aparatului.

Numai o persoană calificată în conformitate cu instrucțiunile furnizate poate instala aparatul. Producătorul nu își asumă răspunderea pentru instalarea necorespunzătoare, din cauza căreia se pot accidenta persoane sau animale și se pot produce daune.

Verificați ambalajul și asigurați-vă că aveți toate piesele specificate.

Decideți locul de montare al produsului.

Acest produs conține sticlă, aveți grijă la montare sau manipulare pentru a preveni vătămările corporale sau deteriorarea produsului.

**Important:** În cazul în care încăperea conține un dispozitiv care funcționează pe bază de combustibil cum ar fi o centrală termică care funcționează pe bază de gaz sau motorină, care nu este de tipul „Tiraj forțat”, asigurați-vă că există un aport de aer corespunzător în încăperea în mod permanent, astfel încât gazele arse emise de centrală să nu fie trase înapoi de hotă.

Plăcuța cu specificații este disponibilă pe aparat. Pe plăcuță sunt afișate toate informațiile de identificare necesare pentru comandarea pieselor de schimb.

Dacă vindeți, donați sau lăsați aparatul când vă mutați în altă casă, predați și acest manual noului proprietar pentru ca acesta să cunoască aparatul și avertismentele de siguranță.

Ⓜ Este aparato debe ser instalado correctamente por una persona cualificada y que siga estrictamente las instrucciones del fabricante.

**Advertencia:** Peligro de descarga eléctrica. La corriente eléctrica debe permanecer cortada hasta que el dispositivo esté completamente instalado.

Solo debe instalar el aparato una persona cualificada que debe, además, seguir las instrucciones suministradas. El fabricante declina cualquier responsabilidad por una instalación incorrecta, que puede causar lesiones a personas y animales, y provocar daños.

Compruebe el paquete y asegúrese de tener todas las piezas de la lista.

Decida sobre la ubicación adecuada para el producto.

Este producto contiene cristal, tenga cuidado durante el montaje o la manipulación para evitar lesiones personales o daños en el producto.

**Importante:** Si en la habitación hay un aparato que use combustible, como una caldera de calefacción central de gas o gasóleo que no sea del tipo “estanca”, debe asegurarse de que hay una entrada de aire suficiente y constante, de modo que los gases de la caldera no sean reabsorbidos a la habitación de nuevo por la campana.

Este dispositivo cuenta con una placa de especificaciones que muestra toda la información de identificación necesaria para realizar pedidos de piezas de recambio.

Si vende, regala o deja instalado el aparato al mudarse de casa, asegúrese de pasar también este manual, de modo que el nuevo propietario pueda familiarizarse con el aparato y las advertencias de seguridad.

Ⓜ Este aparelho tem de ser instalado corretamente, por uma pessoa qualificada, seguindo rigorosamente as instruções do fabricante.

**Aviso:** Perigo de choque elétrico! A alimentação tem de ser cortada antes de o aparelho ser completamente instalado.

O aparelho só pode ser instalado por uma pessoa qualificada, em conformidade com o manual de instruções fornecido. O fabricante recusa qualquer responsabilidade por uma instalação incorreta que possa prejudicar pessoas e animais e causar danos.

Verifique a embalagem e certifique-se de que dispõe de todas as peças indicadas.

Escolha o local adequado para o produto.

Este produto contém vidro, pelo que deve ter cuidado durante a instalação ou utilização para evitar ferimentos pessoais ou danos no produto.

**Importante:** Se existir na divisão um aparelho que consuma combustível, como, por exemplo, uma caldeira de aquecimento central a gás ou a óleo de combustível, que não seja do tipo “estanque”, deve certificar-se de que existe uma entrada de ar adequada na divisão em todos os momentos, para que os vapores da caldeira não regressem à divisão pelo exaustor.

A placa de especificações está disponível neste aparelho. Esta placa apresenta todas as informações de identificação necessárias para encomendar peças de substituição.

Se vender o aparelho, oferecê-lo ou deixá-lo ao próximo morador quando mudar de casa, certifique-se de que entrega este manual, para que o novo proprietário possa familiarizar-se com o aparelho e os respetivos avisos de segurança.

Ⓜ Bu cihaz üreticinin talimatlarına tamamen uyularak uzman bir kişi tarafından doğru şekilde monte edilmelidir.

**Uyarı:** Elektrik çarptırabilir! Cihaz tamamen monte edilene kadar güç kaynağı kapalı olmalıdır.

Yalnızca uzman bir kişi, belirtilen talimatlara uygun olarak cihazı monte edebilir. Üretici, insanlara ve hayvanlara zarar verebilecek ve hasara neden olabilecek hatalı montaj konusunda hiçbir sorumluluk kabul etmez.

Ambalaj içeriğini kontrol edin ve listelenen parçaların hepsinin elinizde bulunduğundan emin olun.

Ürününüzü yerleştireceğiniz uygun bir yer belirleyin.

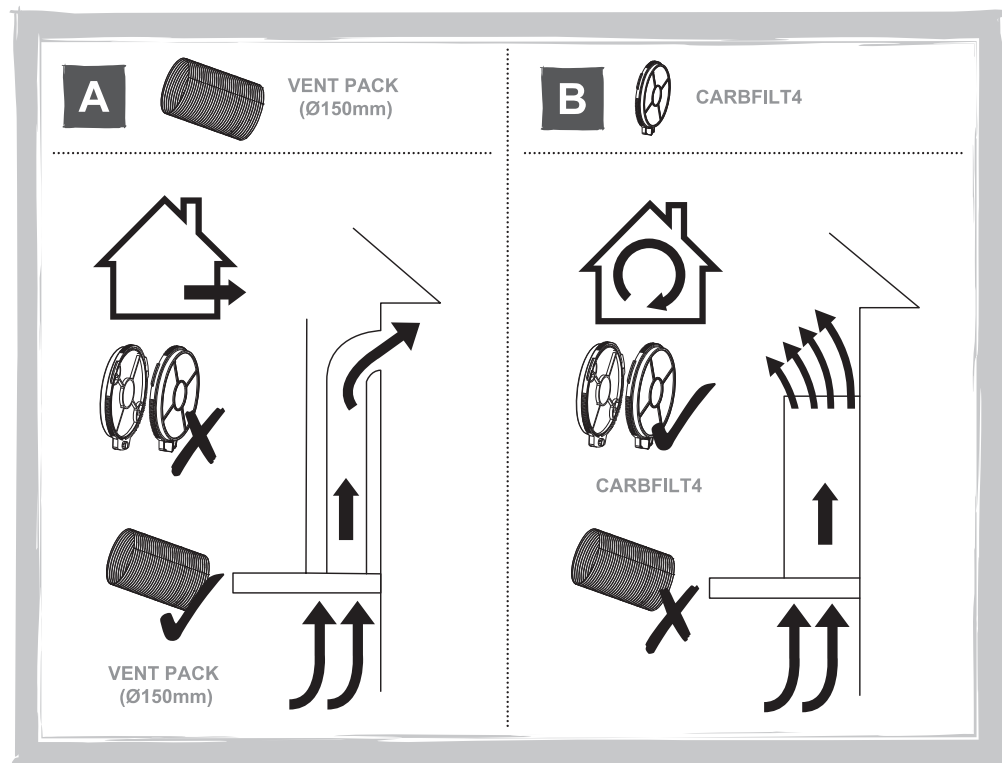
Bu ürün cam içerir, fiziksel yaralanmayı veya ürünün zarar görmesini engellemek için montaj veya taşıma sırasında lütfen dikkat edin.

**Önemli:** Odada, “Dengeli Egzoz” türü olmayan, gaz veya yakıt yakan kazan, kombi gibi yakıt yakan araçlar bulunuyorsa kazandan/kombiden çıkan dumanların Davlumbazdan odanın içine geri girmemesi için her zaman odaya yeterli hava girişi sağlandığından emin olmalısınız.

Bu cihaz üzerinde özellik plakası mevcuttur. Bu plakada, yedek parça siparişi vermek için gerekli tüm tanımlama bilgileri yer alır.

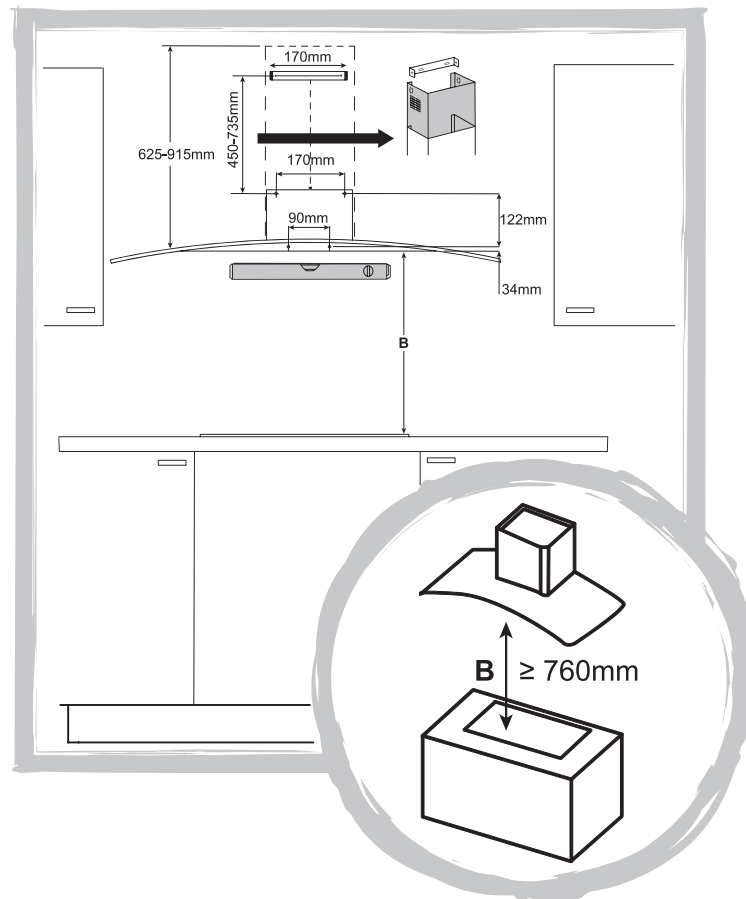
Evden taşınırken bu cihazı satarsanız, birine verirsiniz veya orada bırakırsanız yeni kullanıcının cihazı ve güvenlik uyarılarını öğrenebilmesi için bu kullanım kılavuzunu da teslim ettiğinizden emin olun.

---



- EN Choose a type of installation: Ducted option **A** (extraction to the outside) or Recirculation option **B** (no extraction to the outside). This appliance is for installation on a wall only.
- FR Choisir un type d'installation : option de conduit **A** (évacuation vers l'extérieur) ou option de recyclage **B** (pas d'évacuation vers l'extérieur). Cet appareil est uniquement conçu pour une installation murale.
- PL Wybrać rodzaj instalacji: Opcja **A** z kanałem wentylacyjnym (wyciągowy tryb pracy - odprowadzanie oparów na zewnątrz) lub opcja **B** z recyrkulacją (brak możliwości odprowadzania oparów na zewnątrz). To urządzenie jest przeznaczone wyłącznie do montażu na ścianie.
- DE Wählen Sie eine Installationsart: Option **A** mit Rohr (Absaugung nach außen) oder Option **B** Umwälzung (keine Absaugung nach außen). Dieses Gerät ist nur für die Wandmontage geeignet.
- RUS Выберите способ установки: Вариант **A** с воздуховодом (с отведением воздуха наружу) или вариант **B** с рециркуляцией (без отведения воздуха наружу). Данный прибор предназначен только для настенной установки.
- RO Alegeți un tip de instalare: Opțiunea cu tubulatură **A** (evacuare în exterior) sau Opțiunea de recirculare **B** (fără evacuare în exterior). Acest aparat se poate monta numai pe un perete.
- ES Elija un tipo de instalación: Opción **A**, conducto, (extracción al exterior) u opción **B**, recirculación, (sin extracción al exterior). Este aparato solo puede instalarse en una pared.
- PT Escolha um tipo de instalação: Opção **A** entubada (extração para o exterior) ou opção **B** de recirculação (sem extração para o exterior). Este aparelho destina-se exclusivamente a ser instalado numa parede.
- TR Bir montaj türü seçin: Kanallı seçenek **A** (dışarı tahliye) veya Devridaim seçeneği **B** (dışarı tahliye yok). Bu cihaz yalnızca duvara monte etmek içindir.





EN Mark the wall with the hole positions as shown in the diagram. The fixings supplied are suitable for solid walls only. When fixing to any other type of wall use suitable alternative fixings.

**Warning: Caution!** Before drilling it is extremely important to check the wall for hidden pipes, electrical cables etc using an appropriate detection device.

Drill the holes, insert the wall plugs in all 6 holes. Insert the screws in the middle 2 holes. Maximum gap between top two holes and middle two holes should be no more than 735mm, dependent upon the ceiling height.

**WARNING:** Do not over tighten to avoid damaging the glass.

FR Marquer le mur avec les positions de trou comme indiqué sur le schéma. Les fixations fournies conviennent à des murs solides uniquement. Lors d'une fixation sur n'importe quel autre type de mur, utiliser d'autres fixations adaptées.

**Avertissement : Attention !** Avant de percer, il est extrêmement important de vérifier si des tuyaux, des câbles électriques, etc., sont dissimulés dans le mur en utilisant un appareil de détection approprié.

Percer les trous, insérer les chevilles murales dans les 6 trous. Insérer les vis dans les 2 trous du milieu. L'écart maximal entre les deux trous du haut et les deux trous du milieu ne doit pas mesurer plus de 735 mm, selon la hauteur du plafond.

**AVERTISSEMENT :** ne pas trop serrer pour éviter d'endommager le verre.

PL Zaznaczyć na ścianie położenia otworów, jak przedstawiono na schemacie. Dołączone mocowania są przeznaczone wyłącznie do ścian litych. W przypadku montażu na ścianie innego typu należy użyć odpowiednich mocowań zamiennych.

**Ostrzeżenie: Uwaga!** Przed rozpoczęciem wiercenia niezwykle ważne jest, aby sprawdzić ścianę

pod kątem ukrytych rur, przewodów elektrycznych itp., używając odpowiedniego urządzenia do ich wykrywania.

Wywiercić otwory i włożyć kołki rozporowe we wszystkie 6 otworów. Włożyć śruby w 2 środkowe otwory. Maksymalna odległość między dwoma górnymi otworami i dwoma środkowymi otworami nie powinna przekraczać 735 mm, w zależności od wysokości sufitu.

**OSTRZEŻENIE:** Nie dokręcać zbyt mocno, aby uniknąć uszkodzenia szyby.

DE Markieren Sie die Bohrungspositionen gemäß Zeichnung an der Wand. Die mitgelieferten Befestigungsmittel eignen sich ausschließlich für solide Wände. Verwenden Sie bei der Montage an anderen Wandtypen alternative Befestigungsmittel.

**Warnung: Achtung!** Vor dem Bohren muss die Wand unbedingt auf in der Wand verlaufende Rohre, Elektrokabel etc. mithilfe geeigneter Vorrichtungen geprüft werden.

Bringen Sie die Bohrungen an und setzen Sie die Dübel in alle 6 Bohrungen. Setzen Sie die Schrauben in die beiden mittleren Bohrungen. Der maximale Abstand zwischen beiden oberen Bohrungen und beiden mittleren Bohrungen sollte je nach Deckenhöhe nicht mehr als 735 mm betragen.

**WARNUNG:** Ziehen Sie die Schrauben nicht zu fest an, um das Glas nicht zu beschädigen.

RUS Отметьте на стене точки для крепежных отверстий, как показано на схеме. Крепежные элементы, входящие в комплект поставки, подходят только для сплошных стен. При установке прибора на любой другой тип стен используйте соответствующие альтернативные крепежные элементы.

**Предупреждение. Внимание!** Перед сверлением обязательно проверьте стену на наличие скрытых труб, электрических кабелей и т. д., используя для этого подходящий детектор.

Просверлите отверстия, вставьте дюбели во все 6 отверстий. Вставьте винты в 2 средних отверстия. Максимальное расстояние между двумя верхними и средними отверстиями не должно превышать 735 мм в зависимости от высоты потолка.

**ПРЕДУПРЕЖДЕНИЕ.** Не затягивайте винты слишком сильно, чтобы не повредить стекло.

RO Marcați pozițiile găurilor pe perete, conform schiței. Suporturile furnizate sunt potrivite numai pentru pereți plini. La montarea pe orice alt tip de perete folosiți dibluri potrivite aceluși tip de perete.

**Avertisment: Atenție!** Înainte de găurirea peretelui, verificați peretele pentru țevi, cabluri electrice, etc. ascunse, cu ajutorul unui dispozitiv adecvat de detectare.

Realizați găurile, introduceți diblurile în toate cele 6 găuri. Introduceți șuruburile în cele 2 găuri din mijloc. Distanța maximă între cele două găuri superioare și cele din mijloc nu trebuie să fie mai mare de 735 mm, în funcție de înălțimea tavanului.

**AVERTISMENT:** Pentru a evita deteriorarea sticlei, nu strângeți prea tare șuruburile.

ES Marque en la pared la posición de los orificios como se muestra en el diagrama. Las fijaciones suministradas son adecuadas solo para paredes de obra. Si va a instalar el aparato en cualquier otro tipo de pared, use las fijaciones alternativas adecuadas.

**Advertencia: ¡Precaución!** Antes de taladrar, es extremadamente importante comprobar, mediante un dispositivo de detección adecuado, que no hay tubos, cables eléctricos, etc., ocultos en la pared.

Taladre los orificios, inserte los tacos en los 6 orificios. Inserte tornillos en los 2 orificios centrales. La distancia máxima entre los dos orificios superiores y los dos orificios centrales no debe superar los 735 mm, dependiendo de la altura del techo.

**ADVERTENCIA:** No apriete en exceso para evitar dañar el cristal.

Ⓜ Marque a parede com as posições dos orifícios, conforme ilustrado no diagrama. As fixações fornecidas só são adequadas para paredes sólidas. Se efetuar a fixação em qualquer outro tipo de parede, utilize fixações alternativas.

**Aviso: Cuidado!** Antes de perfurar, é extremamente importante utilizar um dispositivo de detecção adequado para verificar se existem tubos, cabos elétricos, entre outros, escondidos na parede.

Perfure os orifícios e insira as buchas de parede em todos os 6 orifícios. Insira os parafusos nos 2 orifícios centrais. O espaço máximo entre os dois orifícios superiores e os dois orifícios centrais não deve ser superior a 735 mm, dependendo da altura do teto.

**AVISO:** Não aperte em excesso para evitar danificar o vidro.

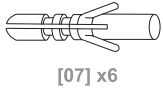
Ⓜ Şemada gösterildiği şekilde delik yerlerini duvarda işaretleyin. Tedarik edilen sabitleyiciler yalnızca sert duvarlar için uygundur. Başka herhangi bir duvar türüne sabitlerken uygun alternatif sabitleyicileri kullanın.

**Uyarı: Dikkat!** Delmeden önce uygun bir tespit cihazıyla duvarı gizli borular, elektrik kabloları vb. bakımından kontrol etmek son derece önemlidir.

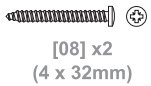
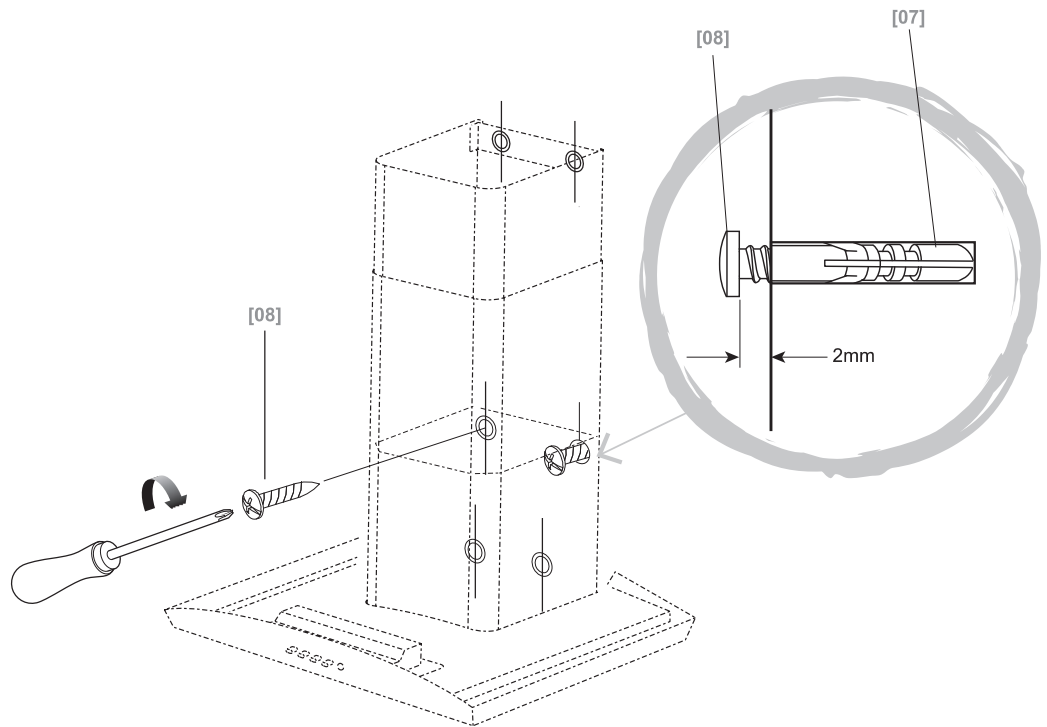
Delikleri delin, 6 deliğin tamamına duvar fişlerini takın. Ortadaki 2 deliğe vidaları takın. Üstteki iki delik ile ortadaki iki delik arasındaki maksimum boşluk, tavan yüksekliğine bağlı olarak en fazla 735 mm olmalıdır.

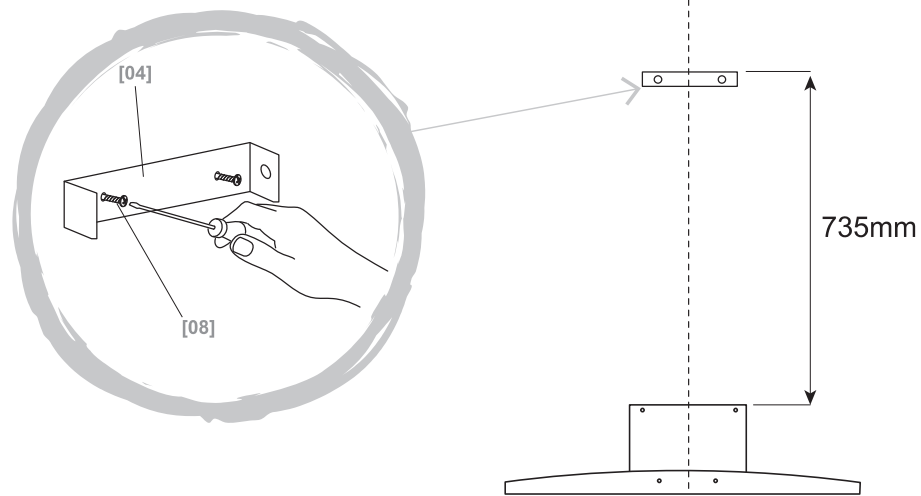
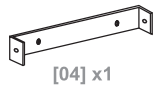
**UYARI:** Camın zarar görmesini önlemek için fazla sıkmayın.

03



[07] x6

[08] x2  
(4 x 32mm)



**EN WARNING:** Use only the same size of fittings and mounting screws as recommended in this instruction manual. Failure to follow these instructions may result in electrical hazards.

**FR AVERTISSEMENT :** n'utiliser que des raccords et des vis de fixation de même taille tels que recommandés dans ce manuel d'instructions. Le non-respect de ces instructions peut être à l'origine de dangers électriques.

**PL OSTRZEŻENIE:** Używać wyłącznie mocowań i śrub mocujących o takim samym rozmiarze, jak te, które zostały podane w niniejszej instrukcji obsługi. Nieprzestrzeganie tych zaleceń może skutkować porażeniem prądem elektrycznym.

**DE WARNUNG:** Verwenden Sie bei Befestigungsteilen und Schrauben immer die Größe, die in dieser Bedienungsanleitung empfohlen wird. Die Nichteinhaltung dieser Anweisungen kann zu Gefahren durch elektrischen Strom führen.

**RUS ПРЕДУПРЕЖДЕНИЕ.** Используйте крепежные элементы и винты для монтажа только тех размеров, которые рекомендованы в настоящем руководстве. Несоблюдение данных инструкций может привести к возникновению опасности поражения электрическим током.

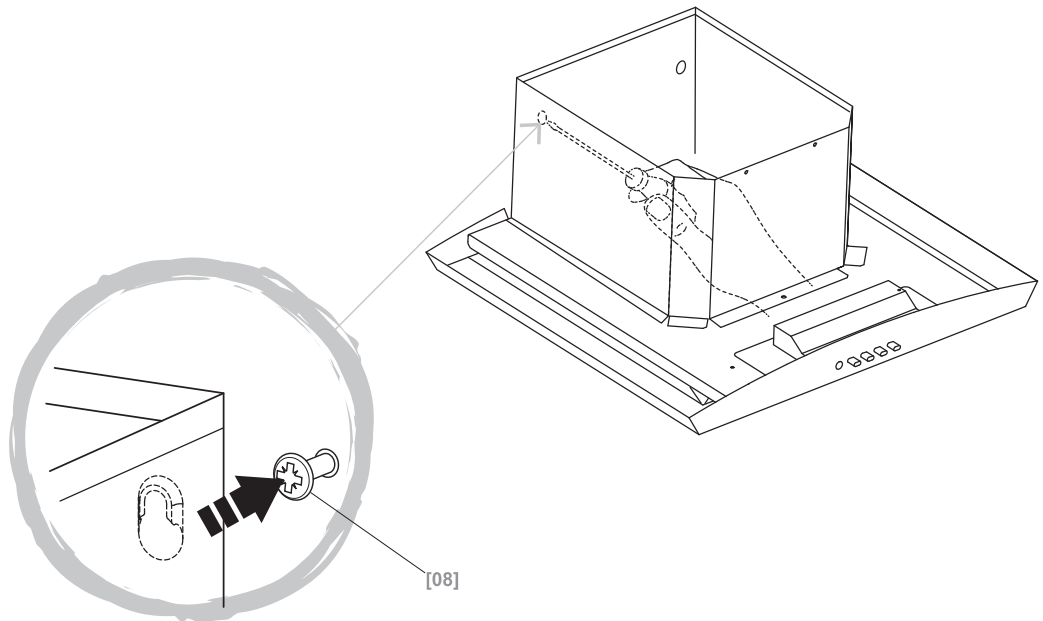
**RO AVERTISMENT:** Folosiți numai elemente de fixare și șuruburi de montaj cu aceleași dimensiuni ca cele recomandate în prezentul manual. Nerespectarea prezentelor instrucțiuni poate cauza pericole de natură electrică.

**ES ADVERTENCIA:** Utilice únicamente accesorios y tornillos de montaje del mismo tamaño, como se recomienda en este manual de instrucciones. Si no se siguen estas instrucciones, podrían producirse riesgos eléctricos.

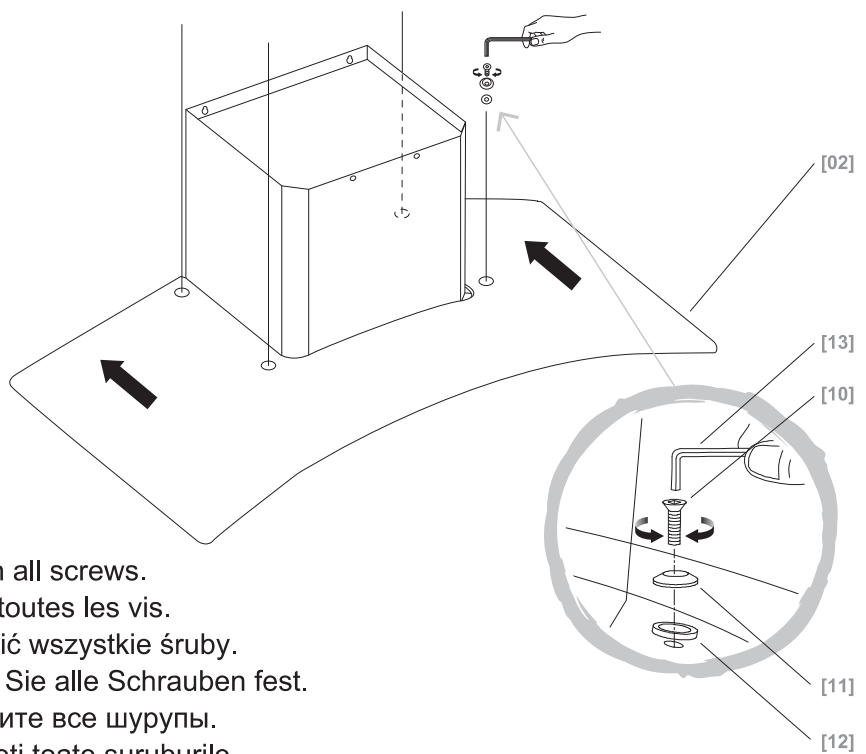
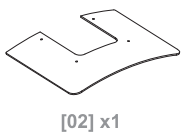
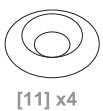
**PT AVISO:** Utilize apenas suportes e parafusos de fixação com o tamanho recomendado neste manual de instruções. O incumprimento destas instruções pode resultar em perigos elétricos.

**TR UYARI:** Yalnızca bu talimat kılavuzunda önerilenlerle aynı ölçülere sahip teçhizat ve montaj vidaları kullanın. Bu talimatlara uyulmaması elektronik hasarlara neden olabilir.

05



06



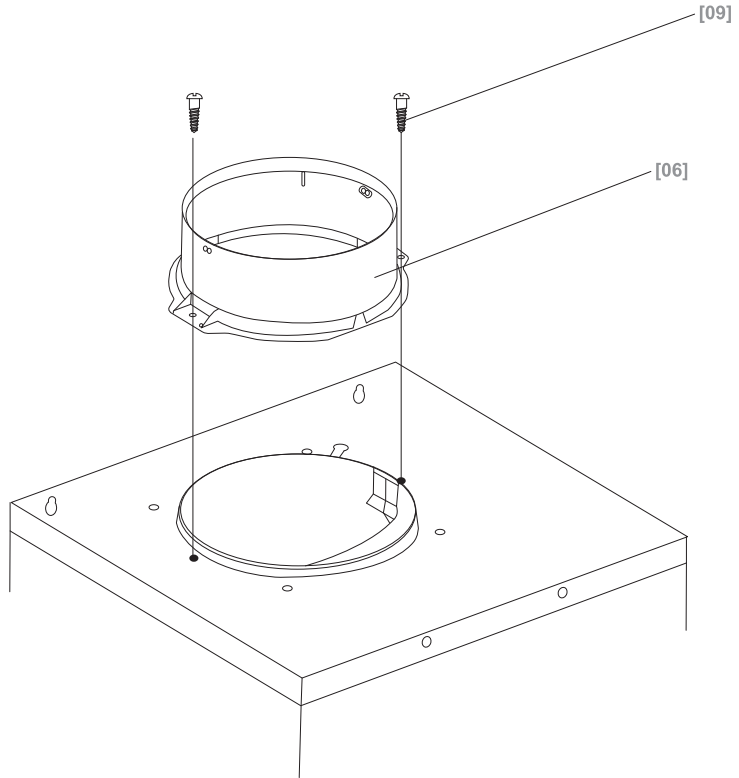
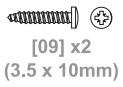
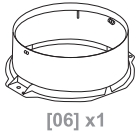
- EN Tighten all screws.
- FR Serrer toutes les vis.
- PL Dokręcić wszystkie śruby.
- DE Ziehen Sie alle Schrauben fest.
- RU Закрутите все шурупы.
- RO Strângeți toate șuruburile.
- ES Apriete todos los tornillos.
- PT Aperte todos os parafusos.
- TR Tüm vidaları sıkın.



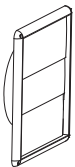
# A

- EN Only for ducted option.
- FR Uniquement pour l'option avec conduit.
- PL Tylko dla opcji z kanałem wentylacyjnym.
- DE Nur bei Option mit Rohr.
- RUS Только для варианта с воздуховодом.
- RO Numai pentru opțiunea de montare cu tubulatură.
- ES Sólo para la opción con conducto.
- PT Apenas para a opção entubada.
- TR Yalnızca kanallı seçenek içindir.

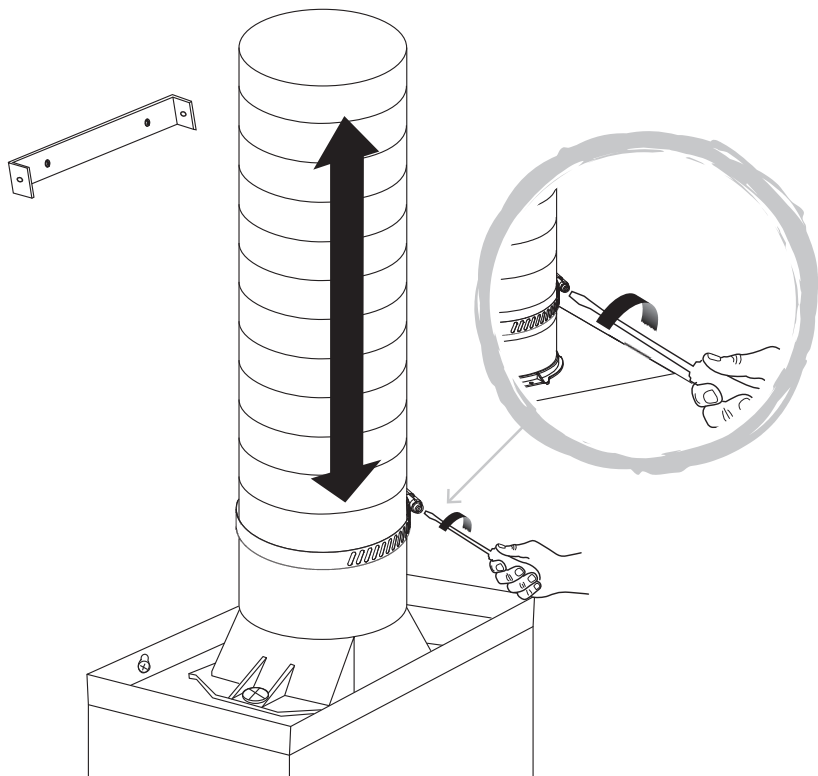
## 07 A



## 08 A

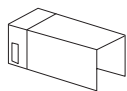


VENT PACK  
(Ø150mm)

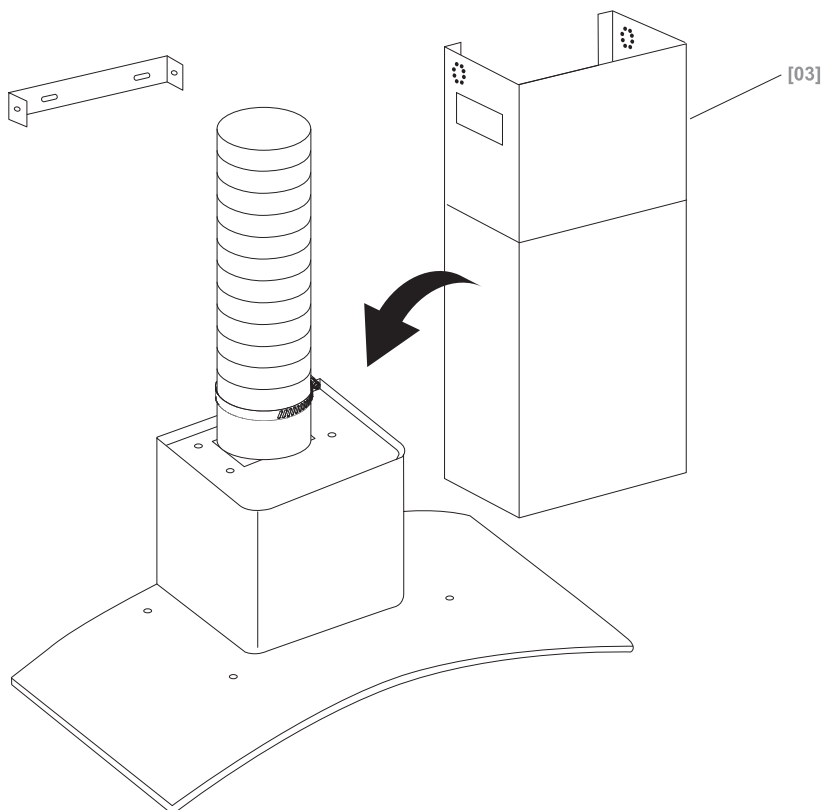


09

A



[03] x1



B

EN Only for recirculation option.

PL Tylko dla opcji z recyrkulacją.

RUS Только для варианта с рециркуляцией.

ES Sólo para la opción de recirculación.

TR Yalnızca devridaim seçeneği içindir.

FR Uniquement pour l'option de recyclage.

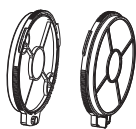
DE Nur bei Option mit Umwälzung.

RO Numai pentru opțiunea de montare cu recirculare.

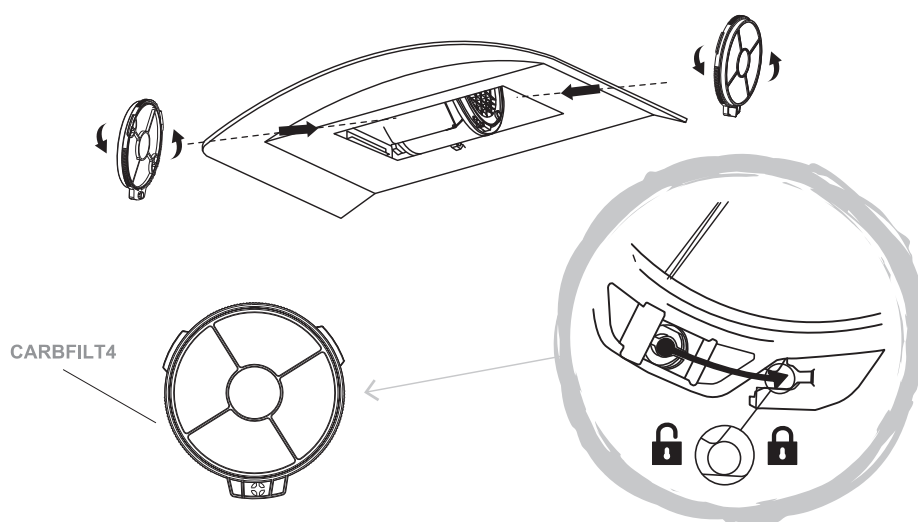
PT Apenas para a opção de recirculação.

10

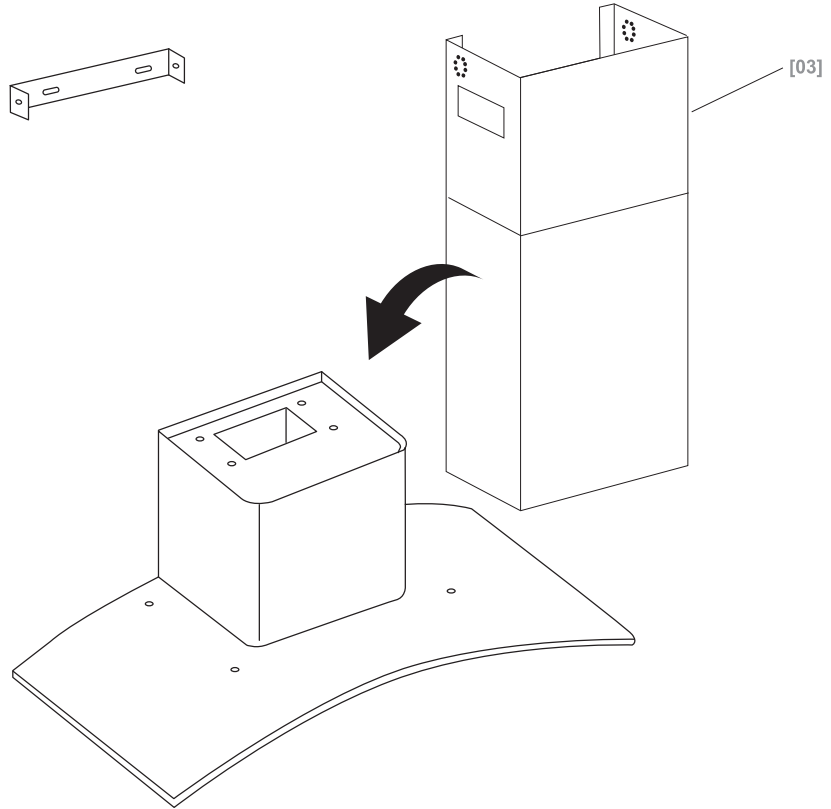
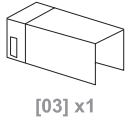
B



CARBFILT4

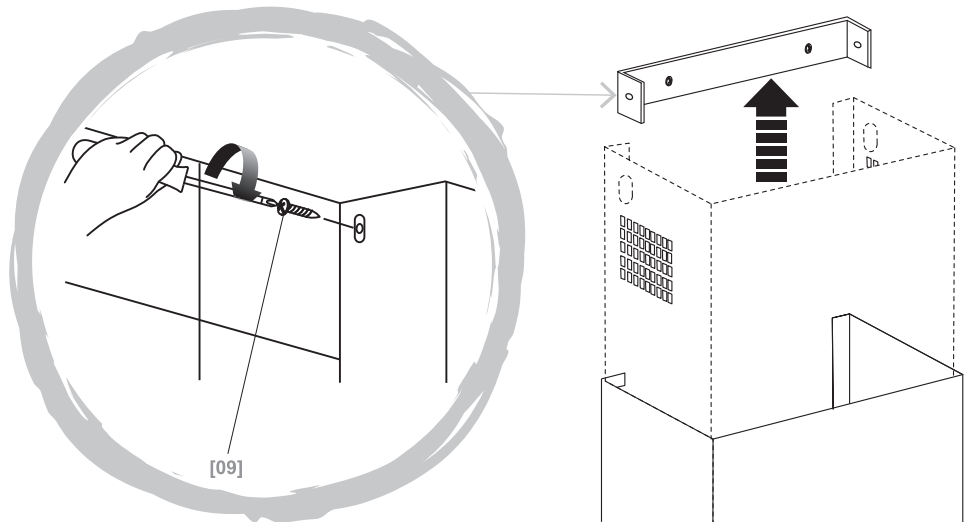
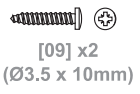


**11** **B**



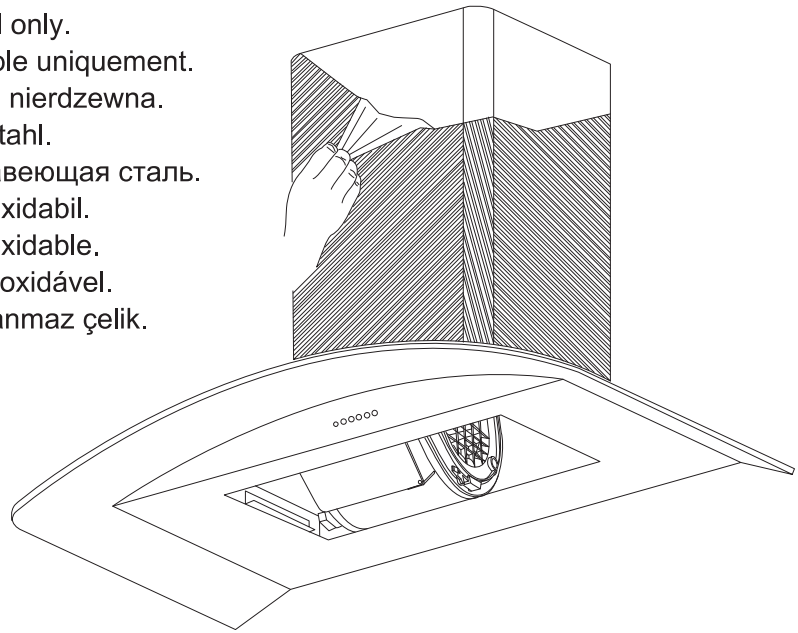
**A** + **B**

**12**



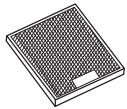
13

- EN Stainless steel only.
- FR Acier inoxydable uniquement.
- PL Wyłącznie stal nierdzewna.
- DE Nur Nur Edelstahl.
- RUS Только нержавеющая сталь.
- RO Numai oțel inoxidabil.
- ES Solo acero inoxidable.
- PT Apenas aço inoxidável.
- TR Yalnızca paslanmaz çelik.

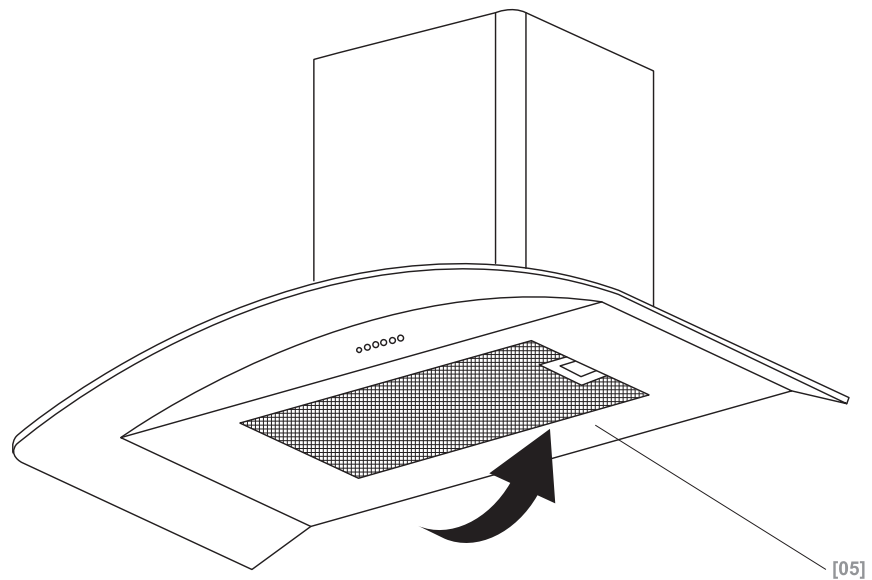


19

14



[05] x1



## EN Installation

All installation must be carried out by a competent person or qualified electrician. Before connecting the mains supply ensure that the mains voltage corresponds to the voltage on the rating plate.

### Direct Connection

The appliance must be connected directly to the mains using an omnipolar circuit breaker with a minimum opening of 3mm between the contacts.

The installer must ensure that the correct electrical connection has been made and that it complies with the wiring diagram.

The cable must not be bent or compressed.

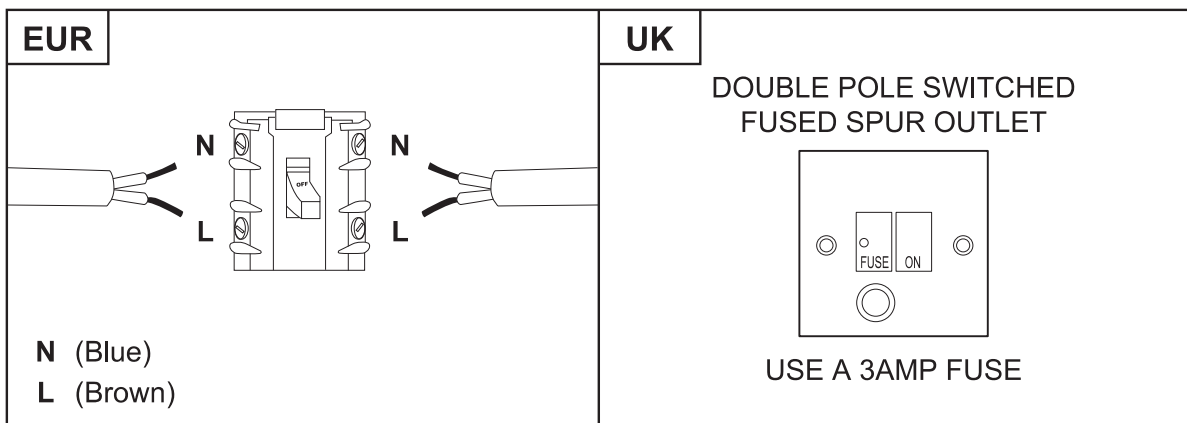
Regularly check the power plug and power cord for damage. If the supply cord is damaged, it must be replaced by a special cord or assembly available from the manufacturer or its service agent.

**WARNING: This is a Class II appliance and MUST NOT be earthed**

This appliance is supplied with a 2 core mains cable coloured as follows:

Brown = L or Live

Blue = N or Neutral



To avoid the risks that are always present when you use an electrical appliance it is important that this appliance is installed correctly and that you read the safety instructions carefully to avoid misuse and hazards. Please keep this instruction booklet for future reference and pass it on to any future owners. After unpacking the appliance please check that it is not damaged. If in doubt, do not use the appliance but contact Customer Services - see end of Care & Maintenance section for details.

## FR Installation

Toute l'installation doit être effectuée par une personne compétente ou un électricien qualifié. Avant de raccorder le câble d'alimentation, s'assurer que la tension de secteur correspond à la tension indiquée sur la plaque signalétique.

### Raccordement direct

L'appareil doit être raccordé directement au secteur à l'aide d'un disjoncteur omnipolaire avec une ouverture minimale de 3 mm entre les contacts.

L'installateur doit s'assurer que le bon raccordement électrique a été effectué et qu'il respecte le schéma de câblage.

Le câble ne doit pas être plié ou comprimé.

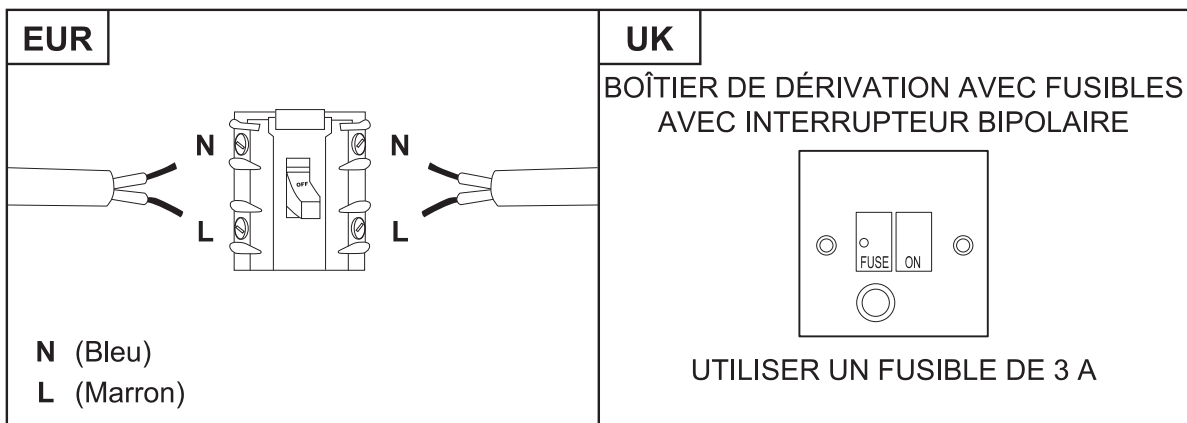
Vérifier régulièrement la présence de dommages sur la fiche secteur et le cordon d'alimentation. Si le cordon d'alimentation est endommagé, il doit être remplacé par un cordon spécial ou un ensemble prévu à cet effet, disponible auprès du fabricant ou son prestataire de service.

### AVERTISSEMENT : il s'agit d'un appareil de Classe 2. Il NE DOIT PAS être raccordé à la terre

Cet appareil est livré avec un câble secteur à 2 conducteurs présentant les couleurs suivantes :

Marron = L ou Phase

Bleu = N ou Neutre



Afin de prévenir les risques toujours présents lors de l'utilisation d'un appareil électrique, il est important que cet appareil soit correctement installé et de lire les instructions de sécurité soigneusement en vue d'empêcher tout danger ou mauvaise utilisation. Veiller à conserver ce manuel d'instructions pour référence ultérieure et de le transmettre à tout futur propriétaire. Après avoir déballé l'appareil, vérifier qu'il n'est pas endommagé. En cas de doute, ne pas utiliser l'appareil, contacter le service client (voir la fin de la section Entretien pour plus de détails).



## PL Montaż

Montaż musi zostać wykonany przez osobę kompetentną lub wykwalifikowanego elektryka. Przed podłączeniem do sieci upewnić się, czy parametry zasilania odpowiada napięciu podanym na tabliczce znamionowej.

### Bezpośrednie podłączenie

Urządzenie należy podłączyć bezpośrednio do zasilania, korzystając z odpowiedniego wyłącznika wielobiegowego z minimalnym rozwarciem między stykami wynoszącym 3 mm.

Monter musi upewnić się, czy zapewnił prawidłowe połączenie elektryczne oraz czy jest ono zgodne ze schematem połączeń.

Przewód nie może być zgięty lub ściśnięty.

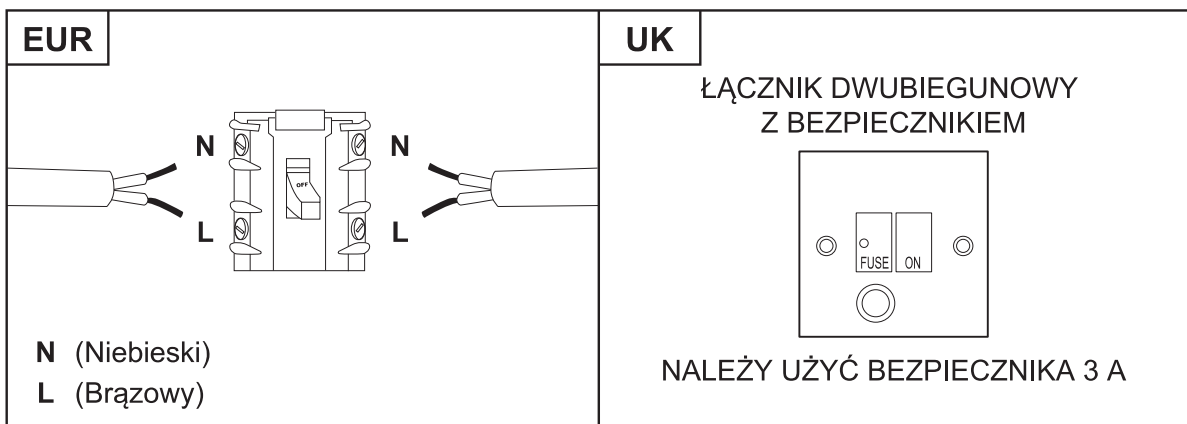
Należy regularnie sprawdzać wtyczkę i przewód zasilania pod kątem uszkodzeń. Jeśli przewód zasilania jest uszkodzony, należy go wymienić na specjalny przewód lub zespół dostępny u producenta lub w serwisie.

### **OSTRZEŻENIE: Jest to urządzenie klasy II i NIE WOLNO go uziemiać**

To urządzenie jest dostarczane z 2-żyłowym przewodem zasilania oznaczonym następującymi kolorami:

Brązowy = L lub Pod napięciem

Niebieski = N lub Neutralny



W celu zapobiegnięcia ryzyku, które jest związane z używaniem urządzenia elektrycznego, niezwykle ważne jest, aby produkt został prawidłowo zamontowany oraz aby użytkownik dokładnie zapoznał się z instrukcjami dotyczącymi bezpieczeństwa i uniknął nieprawidłowego użytkowania oraz zagrożeń. Należy zachować instrukcję obsługi w celu wykorzystania w przyszłości i przekazania jej kolejnym właścicielom. Po rozpakowaniu urządzenia upewnić się, że nie jest ono uszkodzone. W przypadku wątpliwości nie używać urządzenia i skontaktować się z działem obsługi klienta – aby dowiedzieć się więcej patrz koniec rozdziału 'Utrzymanie i konserwacja'.

## DE Installation

Die gesamte Installation muss von einer fachkundigen Person oder einem ausgebildeten Elektriker durchgeführt werden. Stellen Sie vor dem Anschließen an die Stromversorgung sicher, dass die Netzspannung zur Spannungsangabe auf dem Typenschild passt.

### Direkter Anschluss

Das Gerät muss mithilfe eines mehrpoligen Leistungsschalters mit einem Mindestabstand zwischen den Kontakten von 3 mm direkt an das Netz angeschlossen werden.

Der Installateur muss sicherstellen, dass der elektrische Anschluss korrekt vorgenommen und der Schaltplan berücksichtigt wird.

Das Kabel darf weder verbogen noch eingedrückt sein.

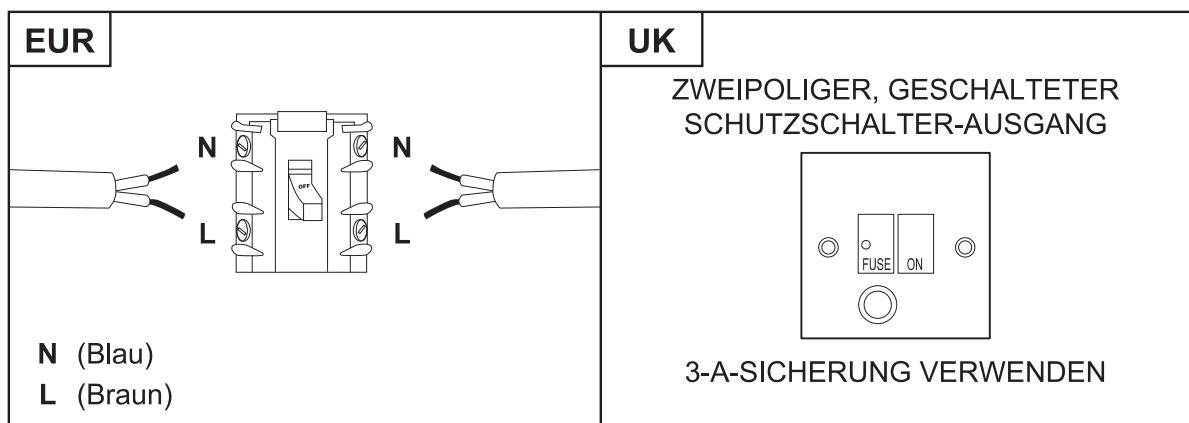
Prüfen Sie den Netzstecker und das Netzkabel regelmäßig auf Beschädigung. Ist das Netzkabel beschädigt, muss es durch ein spezielles Kabel ersetzt werden, das beim Hersteller oder einem seiner Servicevertreter erhältlich ist.

### WARNUNG: Dies ist ein Class II-Gerät, es DARF NICHT geerdet werden

Dieses Gerät wird mit einem 2-adrigen Netzkabel mit der folgenden Farbcodierung ausgeliefert:

Braun = L bzw. stromführend

Blau = N bzw. neutral



Um die Risiken zu vermeiden, die sich aus der Verwendung eines elektrischen Geräts zwangsläufig ergeben, muss das Gerät unbedingt korrekt installiert werden. Außerdem müssen die Sicherheitshinweise aufmerksam gelesen werden, um eine missbräuchliche Verwendung und die Entstehung von Gefahren zu verhindern. Bitte bewahren Sie diese Bedienungsanleitung zum Nachschlagen auf und geben Sie sie an zukünftige Besitzer weiter. Überprüfen Sie nach dem Auspacken des Geräts, dass es nicht beschädigt ist. Verwenden Sie das Gerät im Zweifel nicht, sondern wenden Sie sich an den Kundendienst – nähere Informationen finden Sie am Ende des Abschnitts Pflege & Wartung.

## RUS Установка

Установка должна выполняться компетентным лицом или квалифицированным электриком. Перед подключением прибора к сети удостоверьтесь, что напряжение сети соответствует напряжению, указанному в паспортной табличке прибора.

### Прямое подключение

Прибор должен быть подключен напрямую к сети через многополюсный автоматический выключатель с минимальным расстоянием между контактами 3 мм.

Правильность электрического соединения и его соответствие электромонтажной схеме должны быть проверены специалистом.

Проверьте, чтобы кабель не был согнут или сдавлен.

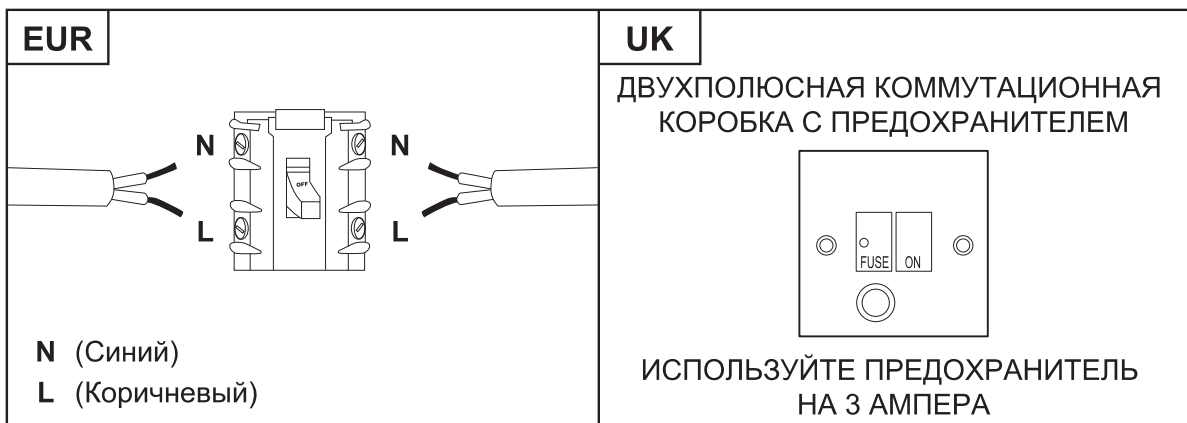
Регулярно проверяйте разъем электропитания и шнур на предмет повреждений. В случае повреждения шнура питания его следует заменить специальным шнуром или комплектом деталей, который можно получить у производителя или его сервисного агента.

### ПРЕДУПРЕЖДЕНИЕ. Данный прибор класса II НЕ ТРЕБУЕТ заземления

Прибор поставляется с двухжильным шнуром питания, помеченным следующим образом:

Коричневый = Фаза (L)

Синий = Ноль (N)



Убедитесь, что прибор установлен правильно, и внимательно ознакомьтесь с инструкциями по технике безопасности во избежание рисков, связанных с использованием электроприборов, а также, чтобы исключить возможность ненадлежащего использования. Сохраните данное руководство для дальнейшего использования и передайте его любым новым владельцам прибора. После распаковки прибора убедитесь, что он не поврежден. Если у вас возникли какие-либо сомнения, не используйте прибор и обратитесь в Центр обслуживания клиентов (см. в конце раздела «Уход и обслуживание»).

## RO Instalarea

Instalarea trebuie să fie realizată de o persoană competentă sau un electrician calificat. Înainte de conectarea la rețeaua electrică asigurați-vă că tensiunea rețelei corespunde tensiunii specificate pe plăcuță.

### Legătură directă

Aparatul trebuie conectat direct la rețea cu ajutorul unui disjunctor monopolar cu o deschidere minimă între contacte de 3 mm.

Montatorul trebuie să se asigure că a făcut legăturile electrice corect și să se asigure că a respectat schema electrică.

Cablul nu trebuie să fie îndoit sau comprimat.

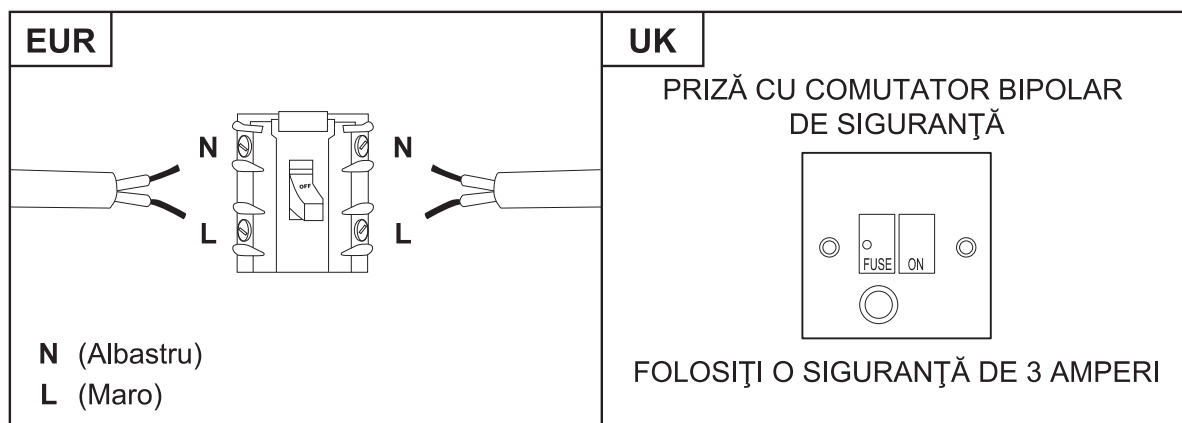
Verificați periodic ștecărul și cablul pentru deteriorări. În cazul în care cablul de alimentare este deteriorat, trebuie înlocuit cu un cablu special sau un alt element disponibil la producător sau la agentul de service.

### AVERTISMENT: Acesta este un aparat de Clasa II și NU NECESITĂ împământare

Aparatul este echipat cu un cablu cu 2 fire, colorate după cum urmează:

Maro = L sau sub tensiune

Albastru = N sau Neutru



Pentru a evita riscurile aferente utilizării unui echipament electric, este important ca acest aparat să fie instalat corect și să citiți cu atenție instrucțiunile de siguranță în vederea evitării utilizării greșite și a pericolelor. Păstrați această broșură cu instrucțiuni pentru referințe ulterioare și predați-o proprietarilor viitori. După despachetarea aparatului, verificați să nu fie deteriorat. Dacă aveți îndoieli, nu folosiți aparatul și contactați Serviciul clienți - a se vedea finalul secțiunii Îngrijire și întreținere pentru detalii.

## ES Instalación

Toda la instalación deberá ser realizada por una persona competente o un electricista cualificado. Antes de conectar la corriente eléctrica, asegúrese de que la tensión de la red se corresponde con la de la placa de características técnicas.

### Conexión directa

El aparato debe conectarse directamente a la red eléctrica mediante un disyuntor omnipolar con una apertura mínima de 3 mm entre los contactos.

El instalador debe garantizar una conexión eléctrica correcta y que cumpla con el esquema de cableado.

El cable no debe quedar doblado ni comprimido.

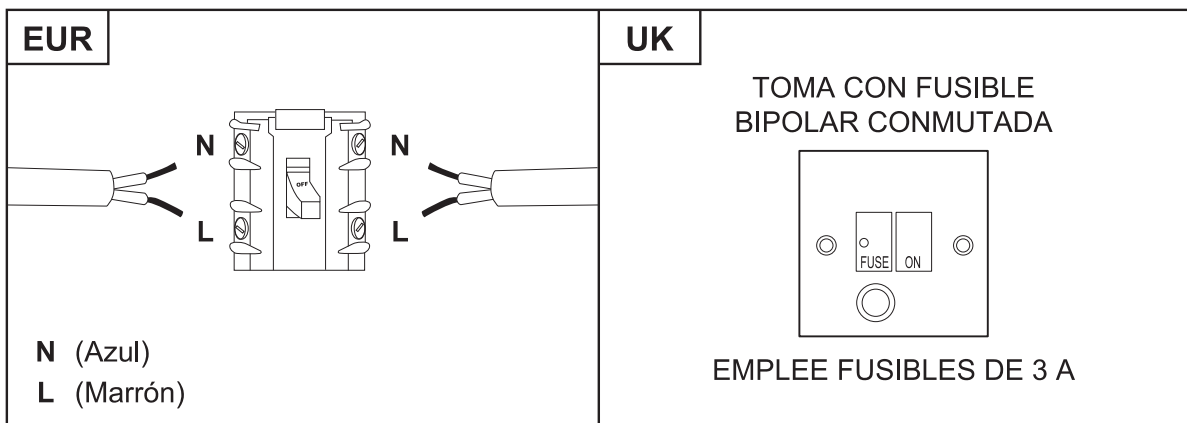
Compruebe regularmente el enchufe y el cable de alimentación en busca de daños. Si el cable de alimentación está dañado, debe ser sustituido por un cable o conjunto especial que podrá adquirir del fabricante o de su distribuidor local.

### ADVERTENCIA: Este es un aparato de clase II, y NO DEBE conectarse a tierra

Este aparato se suministra con un cable de alimentación de dos núcleos coloreados como sigue:

Marrón = L o positivo

Azul = N o negativo



Para evitar los riesgos que están siempre presentes al utilizar un aparato eléctrico, es importante que este dispositivo se instale correctamente y lea las instrucciones de seguridad cuidadosamente para evitar un mal uso y riesgos. Conserve este manual para una futura referencia y páselo a cualquier futuro propietario. Después de desembalar el aparato, compruebe que no está dañado. En caso de duda, no utilice el aparato y póngase en contacto con el Servicio de atención al cliente - consulte los detalles al final de la sección Cuidado y mantenimiento.

## PT Instalação

A instalação tem de ser efetuada por uma pessoa competente ou por um electricista qualificado. Antes de ligar a rede elétrica, certifique-se de que a tensão da rede corresponde à tensão na placa de classificação.

### Ligação direta

O aparelho tem de ser ligado diretamente à rede elétrica através de um disjuntor omnipolar com uma abertura mínima de 3 mm entre os contactos.

O responsável pela instalação tem de garantir que foi realizada a ligação elétrica correta e que esta está em conformidade com o diagrama da cablagem.

O cabo não pode ser dobrado nem comprimido.

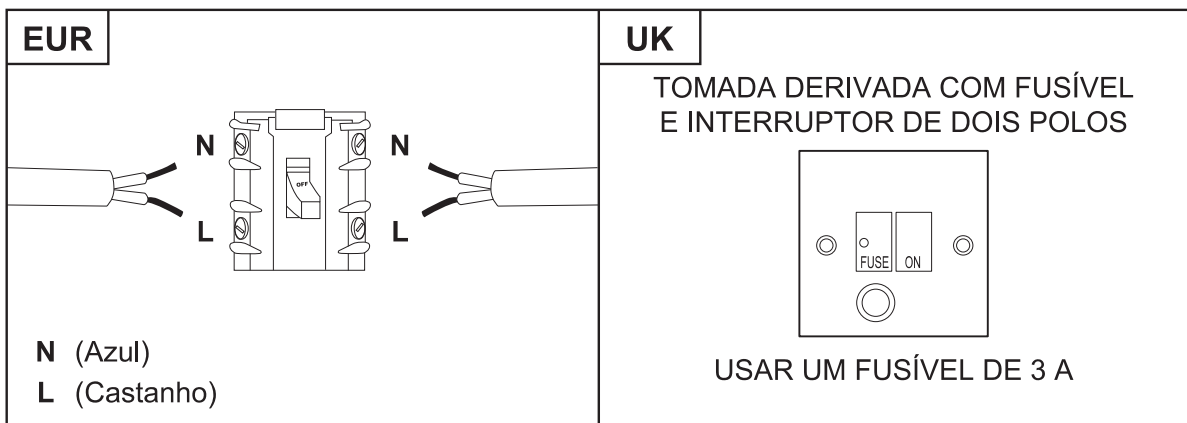
Verifique regularmente se existem danos na tomada e no cabo elétrico. Se o cabo de alimentação estiver danificado, este tem de ser substituído por um conjunto ou cabo especial, disponíveis junto do fabricante ou do respetivo fornecedor de serviços.

### AVISO: Este aparelho pertence à classe II e NÃO PODE ser ligado à terra

Este aparelho é fornecido com um cabo de 2 núcleos colorido da seguinte forma:

Castanho = L ou ativo

Azul = N ou neutro



Para evitar os riscos que estão sempre presentes quando utiliza um aparelho elétrico, é importante que este aparelho esteja instalado corretamente e que leia as instruções de segurança cuidadosamente para evitar usos indevidos e perigos. Guarde este manual de instruções para consulta futura e entregue-o a futuros proprietários. Depois de desembalar o aparelho, verifique se não está danificado. Em caso de dúvida, não utilize o aparelho e entre em contacto com o serviço de atendimento ao cliente; consulte a parte final da secção de Cuidados e Manutenção para obter mais detalhes.



## TR Montaj

Montajın tamamı, yetkili bir kişi veya uzman bir elektrik tesisatçısı tarafından yapılmalıdır. Ana güç kaynağını bağlamadan önce ana voltajın, anma değeri plakasındaki voltajla uyumlu olduğundan emin olun.

### Doğrudan Bağlantı

Kontaklar arasında minimum 3 mm'lik bir açıklıkla omnipolar devre kesici kullanılarak cihaz doğrudan ana güç kaynağına bağlanmalıdır.

Montajı yapan kişi, doğru elektrik bağlantısının yapıldığından ve bunun kablo bağlantı şemasına uygun olduğundan emin olmalıdır.

Kablo bükülmemeli veya sıkıştırılmamalıdır.

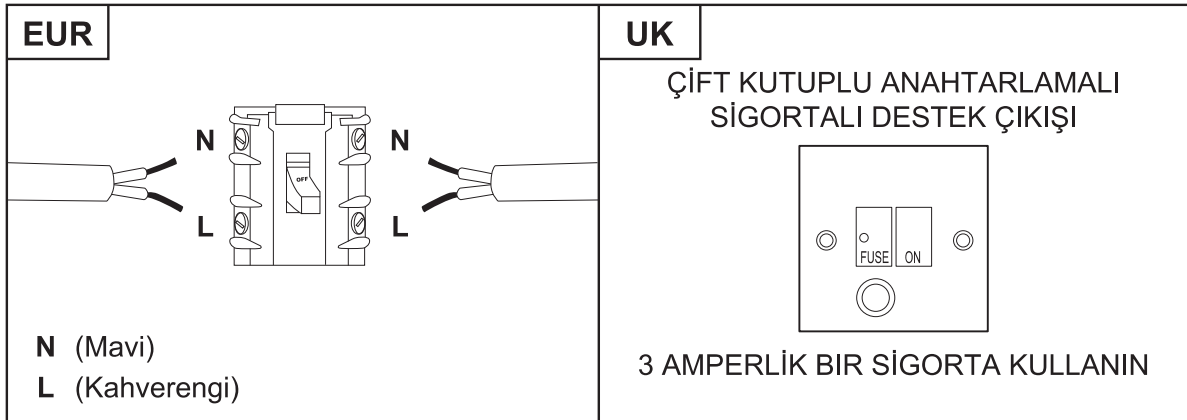
Elektrik fişinin ve güç kablosunun zarar görüp görmediğini düzenli olarak kontrol edin. Besleme kablosu zarar gördüğünde üreticiden veya servis sorumlusundan temin edilebilecek özel bir kablo veya tertibat ile değiştirilmelidir.

### UYARI: Bu bir Sınıf II cihazdır ve TOPRAKLANMAMALIDIR

Bu cihaz aşağıdaki şekilde renkli 2 ana güç kablosu ile tedarik edilir:

Kahverengi = L veya Elektrik Yüklü

Mavi = N veya Yüksüz



Elektrikli cihaz kullanırken her zaman mevcut olan risklerden kaçınmak için bu cihazın doğru şekilde monte edilmesi ve yanlış kullanımdan ve tehlikelerden kaçınmak için güvenlik talimatlarını dikkatli bir şekilde okumanız önemlidir. Lütfen gelecekte referans olması açısından bu talimat kılavuzunu saklayın ve gelecekteki sahiplerine teslim edin. Cihazın ambalajını açtıktan sonra lütfen zarar görüp görmediğini kontrol edin. Şüphe duyduğunuzda cihazı kullanmayın ve Müşteri Hizmetleriyle iletişime geçin. Ayrıntılar için Bakım ve Muhafaza bölümünün sonuna bakın.



EN Use

RO Utilizare

FR Utilisation

ES Uso

PL Użytkowanie

PT Utilização

DE Benutzung

TR Kullanım

RUS Использование

## Before you start



**WARNING:** Read the instructions before using the appliance.

Switch on the appliance at the switched fused connection unit. The appliance is ready for use.

## Function & Settings

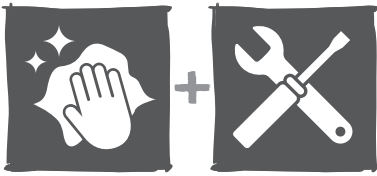
### 01 Five-button panel

To obtain the best results from your cooker hood it is recommended that you leave it switched on for up to 15 minutes after you have finished cooking.

	On/off button for built-in light
	Off button for extractor fan
	Extractor fan speed 1 button
	Extractor fan speed 2 button
	Extractor fan speed 3 button



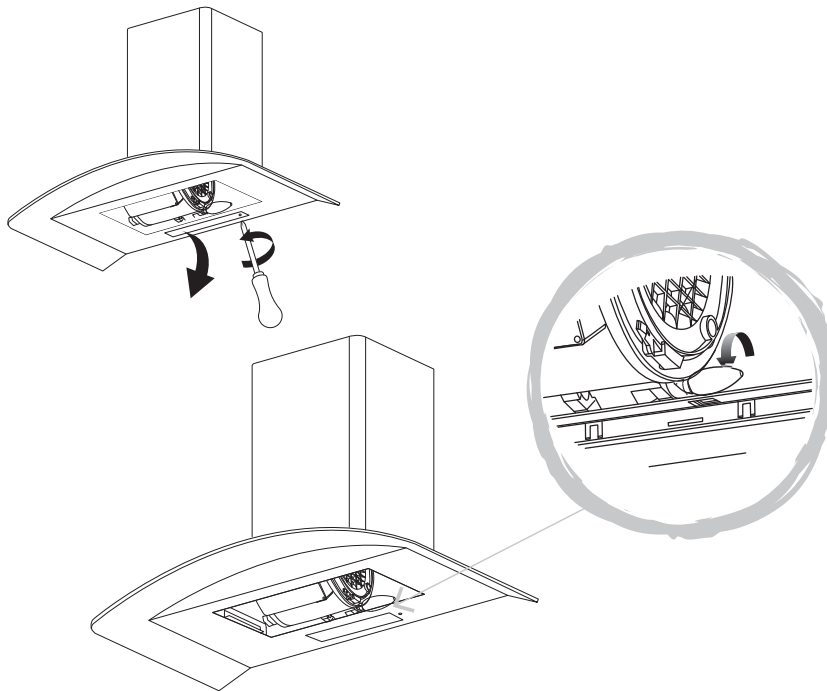
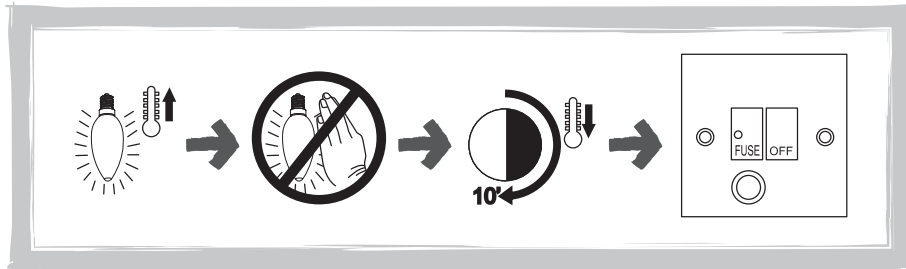
**WARNING:** Always switch off the electricity supply before carrying out maintenance work on the hood. In the event of a fault, contact customer services.



EN Care & maintenance  
 PL Pielęgnacja i konserwacja  
 RU Уход и обслуживание  
 ES Cuidados y Mantenimiento  
 TR Bakım ve Onarım

FR Entretien et maintenance  
 DE Pflege und Wartung  
 RO Îngrijire și întreținere  
 PT Cuidados e manutenção

## 01 Lamp replacement



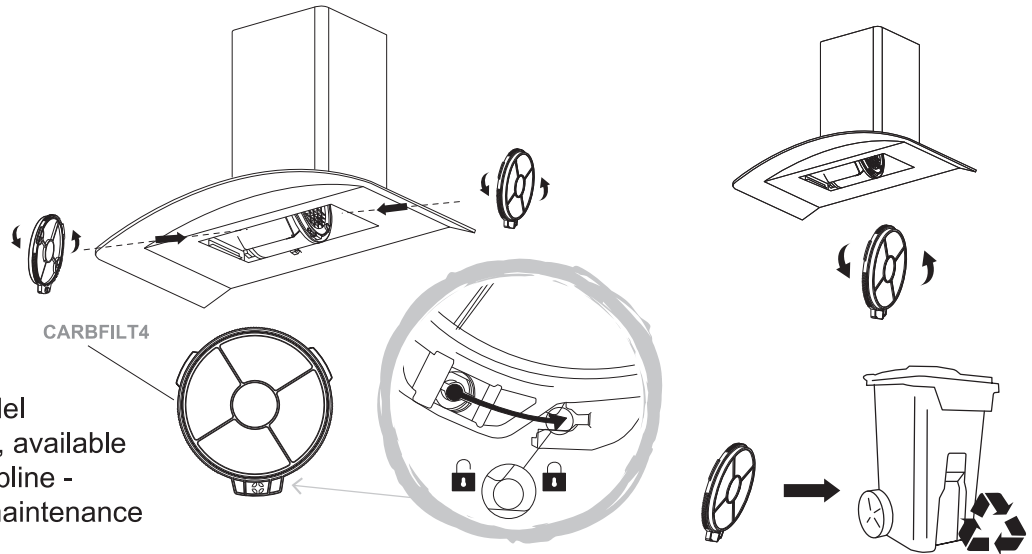
**WARNING:** Allow ten minutes for the bulb to cool before handling.

## 02 Carbon filter replacement

Replace carbon filters every three months.



3 MONTHS



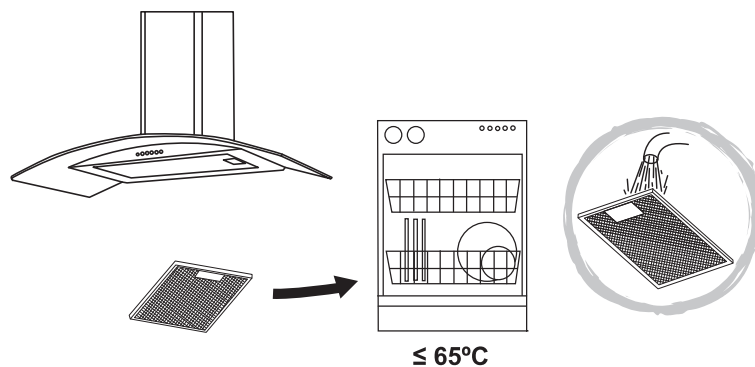
2x Carbon filter, model number CARBFILT4, available via the customer helpline - see end of Care & maintenance section for details.

## 03 Aluminium grease filter cleaning

**Aluminium filters:** To avoid fires, clean thoroughly once a month. To do so, remove the filters and soak in hot water and detergent for an hour. If using a dishwasher, position the filters vertically to improve the cleaning process.



1 MONTH



**WARNING:** Increase the filter cleaning/replacement frequency if the hood is used for more than 2 hours a day. Always use genuine filters from the manufacturer.

### Customer helpline (toll free):

UK 0800 324 7818 [uk@kingfisherservice.com](mailto:uk@kingfisherservice.com)

Eire 1-800 932 230 [eire@kingfisherservice.com](mailto:eire@kingfisherservice.com)



EN Use  
RO Utilizare

FR Utilisation  
ES Uso

PL Użytkowanie  
PT Utilização

DE Benutzung  
TR Kullanım

RUS Использование

## Avant de commencer



**AVERTISSEMENT** : lire les instructions avant d'utiliser l'appareil.

Mettre l'appareil en marche sur l'unité de raccordement avec fusible. L'appareil est prêt à l'emploi.

## Fonctionnement et réglages

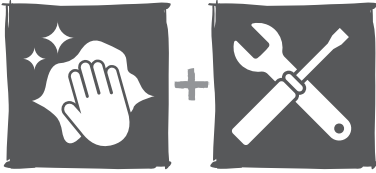
### 01 Panneau à cinq boutons

Pour obtenir les meilleurs résultats de votre hotte, il est recommandé de la laisser allumée pendant au moins 15 minutes après avoir terminé la cuisson.

	Bouton Marche/Arrêt de l'éclairage intégré
	Bouton Arrêt du ventilateur d'extraction
	Bouton de vitesse 1 du ventilateur d'évacuation
	Bouton de vitesse 2 du ventilateur d'évacuation
	Bouton de vitesse 3 du ventilateur d'évacuation



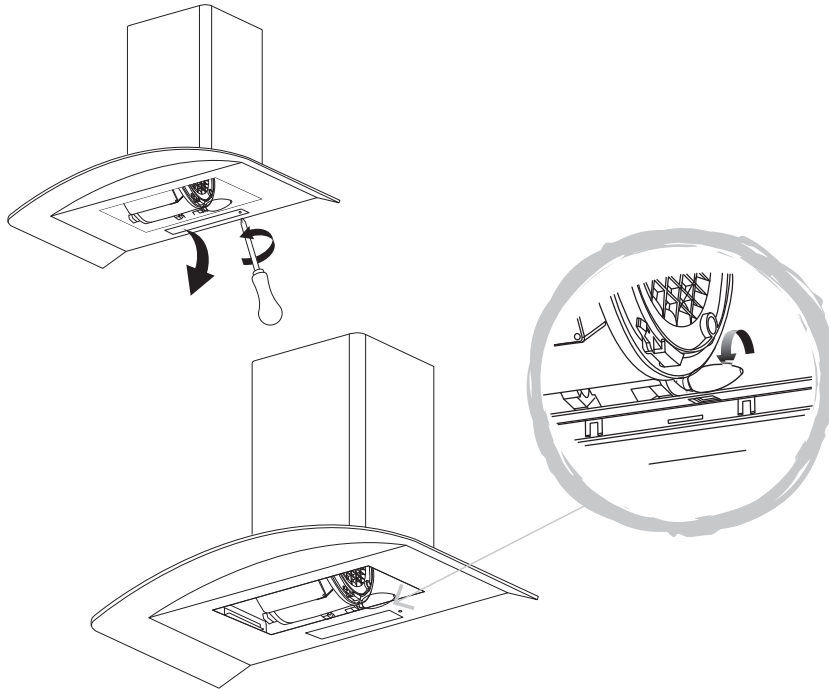
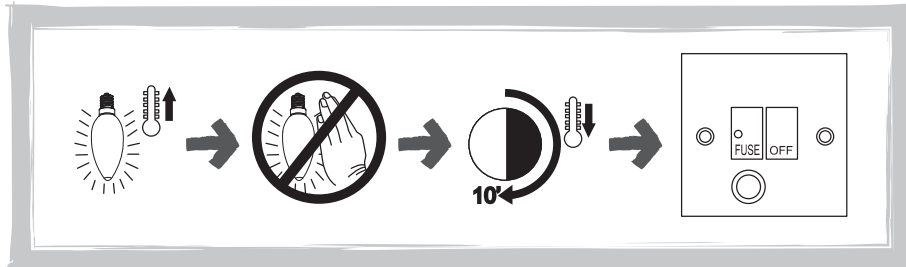
**AVERTISSEMENT** : toujours couper l'alimentation électrique avant d'effectuer des travaux d'entretien sur la hotte. En cas de problème, contacter le service client.



EN Care & maintenance  
 PL Pielęgnacja i konserwacja  
 RUС Уход и обслуживание  
 ES Cuidados y Mantenimiento  
 TR Bakım ve Onarım

FR Entretien et maintenance  
 DE Pflege und Wartung  
 RO Îngrijire și întreținere  
 PT Cuidados e manutenção

## 01 Remplacement de la lampe



**AVERTISSEMENT** : laisser l'ampoule refroidir pendant 10 minutes avant de la manipuler.

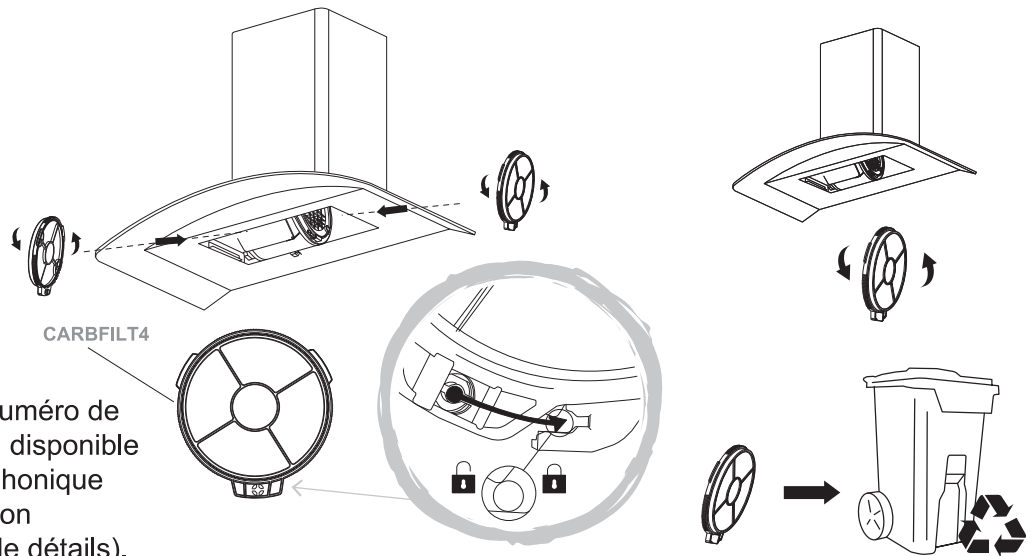


## 02 Remplacement du filtre à charbon

Remplacer les filtres à charbon tous les trois mois.



3 MOIS



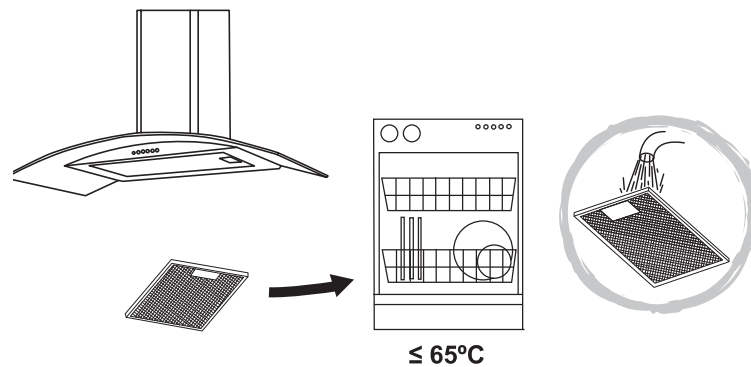
2 filtres à charbon, numéro de modèle CARBFILT4, disponible via l'assistance téléphonique (voir la fin de la section Entretien pour plus de détails).

## 03 Nettoyage du filtre à graisse en aluminium

**Filtres en aluminium :** Pour éviter les incendies, bien les nettoyer une fois par mois. Pour ce faire, retirer les filtres et les tremper dans de l'eau chaude et du détergent pendant une heure. Si vous utilisez un lave-vaisselle, placer les filtres de manière verticale pour améliorer le processus de nettoyage.



1 MOIS



**AVERTISSEMENT :** augmenter la fréquence de remplacement/nettoyage du filtre si la hotte est utilisée pendant plus de 2 heures par jour. Toujours utiliser les filtres d'origine du fabricant.

**Assistance téléphonique (sans frais) :**

0805 114 951 [france@kingfisherservice.com](mailto:france@kingfisherservice.com)



EN Use  
RO Utilizare

FR Utilisation  
ES Uso

PL Użytkowanie  
PT Utilização

DE Benutzung  
TR Kullanım

RUS Использование

## Przed rozpoczęciem użytkowania



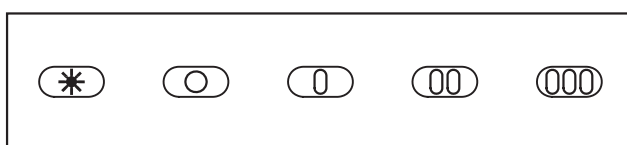
**OSTRZEŻENIE:** Przed rozpoczęciem korzystania z urządzenia należy zapoznać się z instrukcją obsługi.

Włączyć urządzenie przełącznikiem zabezpieczonym bezpiecznikiem. Urządzenie jest gotowe do użytku.

## Funkcje i ustawienia

### 01 Panel z pięcioma przyciskami

W celu zapewnienia możliwie jak najlepszego działania okapu kuchennego zaleca się, aby pozostawić urządzenie włączone przez 15 minut po zakończeniu gotowania.



	Przycisk wł./wył. wbudowanego oświetlenia
	Wyłącznik wentylatora
	Przycisk prędkości pracy wentylatora - 1
	Przycisk prędkości pracy wentylatora - 2
	Przycisk prędkości pracy wentylatora - 3



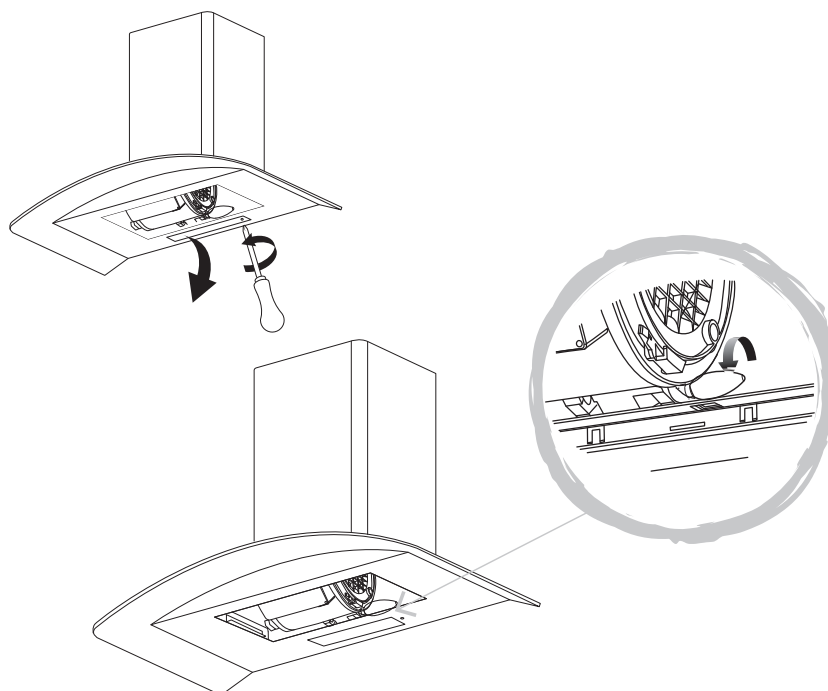
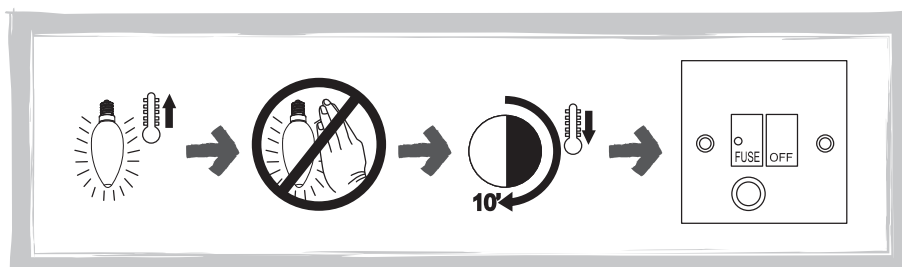
**OSTRZEŻENIE:** Przed rozpoczęciem prac konserwacyjnych przy okapie należy najpierw zawsze wyłączyć zasilanie elektryczne. W przypadku usterki skontaktować się z działem obsługi klienta.



EN Care & maintenance  
 PL Pielęgnacja i konserwacja  
 RUС Уход и обслуживание  
 ES Cuidados y Mantenimiento  
 TR Bakım ve Onarım

FR Entretien et maintenance  
 DE Pflege und Wartung  
 RO Îngrijire și întreținere  
 PT Cuidados e manutenção

## 01 Wymiana oświetlenia



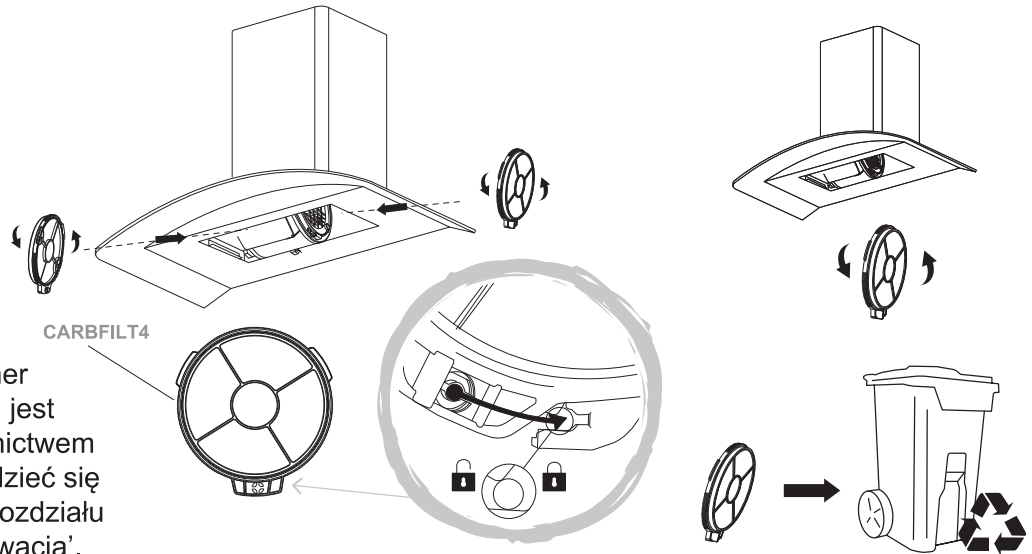
**OSTRZEŻENIE:** Przed rozpoczęciem pracy poczekać 10 minut na ostygnięcie żarówki.

## 02 Wymiana filtra węglowego

Należy wymieniać filtry węglowe co 3 miesiące.



3 MIESIĄCE



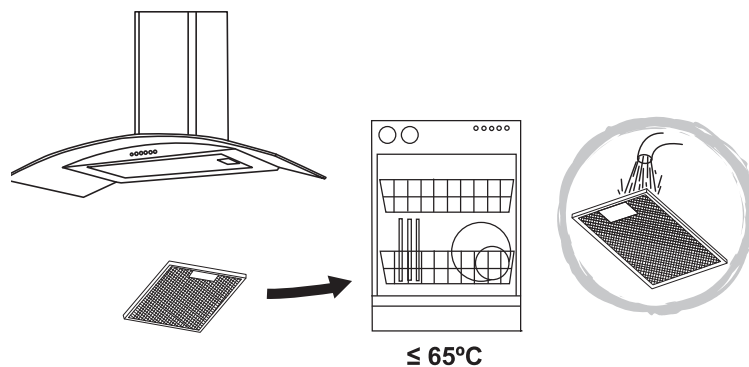
2x filtr węglowy, numer modelu CARBFILT4, jest dostępny za pośrednictwem infolinii – aby dowiedzieć się więcej patrz koniec rozdziału 'Utrzymanie i konserwacja'.

## 03 Czyszczenie aluminiowego filtra odłuszczonego

**Filtry aluminiowe:** Aby uniknąć pożaru, należy co miesiąc dokładnie czyścić filtr. W tym celu zdemonstrować filtry i na godzinę namoczyć je w roztworze ciepłej wody i detergentu. W przypadku korzystania ze zmywarki ustawić filtry w pionie, aby ulepszyć proces czyszczenia.



1 MIESIĄC



**OSTRZEŻENIE:** Jeśli okap jest używany dłużej niż przez 2 godziny dziennie, należy zwiększyć częstotliwość czyszczenia/wymiany filtra. Zawsze używać oryginalnych filtrów pochodzących od producenta.

**Infolinia dla klientów (bezpłatna):**

800 121 2222 poland@kingfisherservice.com



EN Use  
RO Utilizare

FR Utilisation  
ES Uso

PL Użytkowanie  
PT Utilização

DE Benutzung  
TR Kullanım

RUS Использование

## Vor dem Start



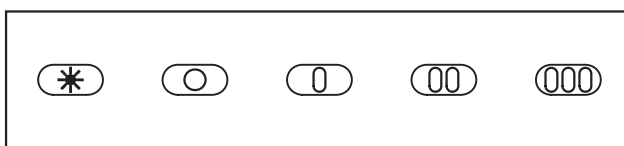
**WARNUNG:** Lesen Sie die Anleitung, bevor Sie das Gerät verwenden.

Schalten Sie das Gerät an der geschalteten und abgesicherten Anschlusseinheit ein. Das Gerät ist betriebsbereit.

## Funktion und Einstellung

### 01 Bedienungstafel mit fünf Tasten

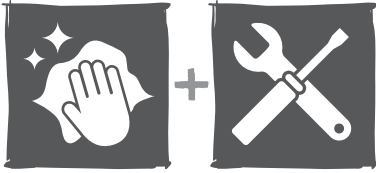
Damit Sie die besten Ergebnisse mit Ihrer Abzugshaube erzielen, empfehlen wir, dass Sie sie bis zu 15 Minuten nach dem Ende des Kochens eingeschaltet lassen.



	Ein-/Ausschalter für eingebaute Leuchte
	Ausschalter für Absauggebläse
	Taste Absauggebläse Stufe 1
	Taste Absauggebläse Stufe 2
	Taste Absauggebläse Stufe 2



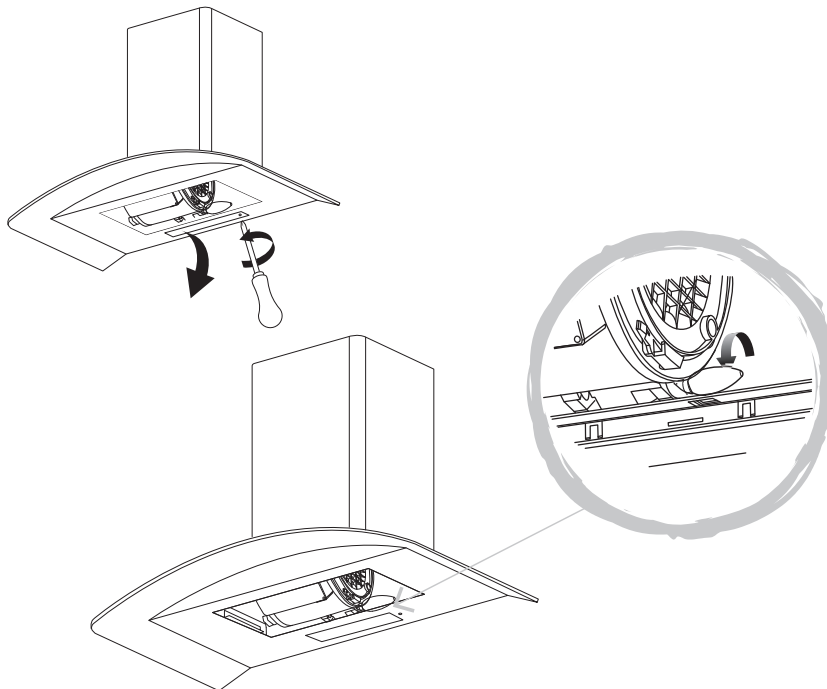
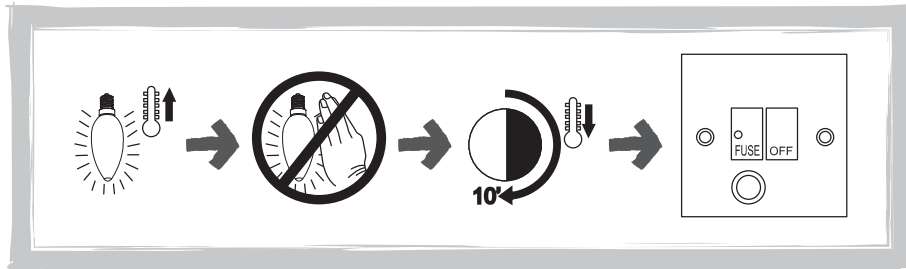
**WARNUNG:** Schalten Sie vor der Durchführung jeglicher Wartungsarbeiten an der Haube die Stromversorgung aus. Wenden Sie sich bei einer Störung an den Kundendienst.



EN Care & maintenance  
 PL Pielęgnacja i konserwacja  
 RUS Уход и обслуживание  
 ES Cuidados y Mantenimiento  
 TR Bakım ve Onarım

FR Entretien et maintenance  
 DE Pflege und Wartung  
 RO Îngrijire și întreținere  
 PT Cuidados e manutenção

## 01 Leuchtmittel ersetzen



**WARNUNG:** Lassen Sie das Leuchtmittel zehn Minuten lang abkühlen, bevor Sie es anfassen.

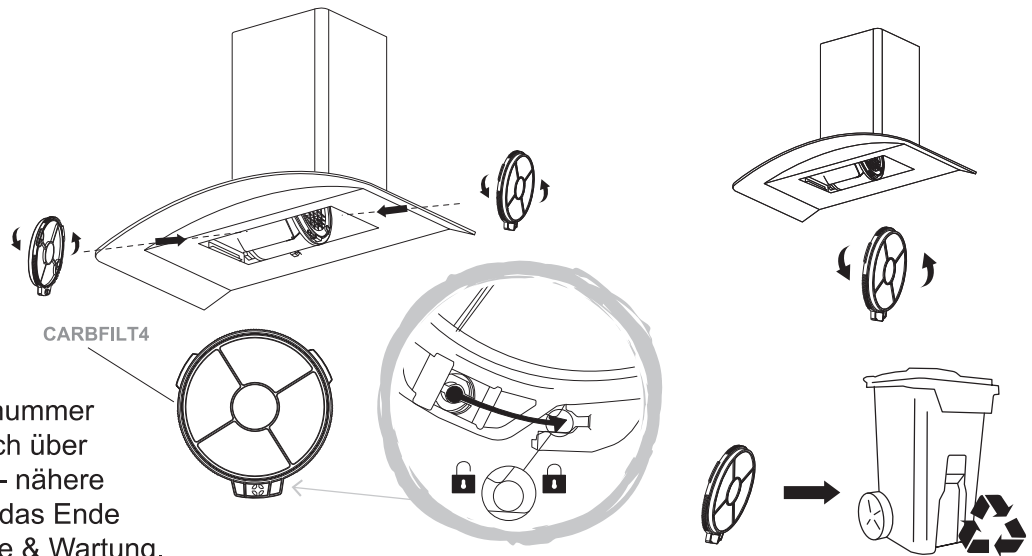


## 02 Kohlefilter austauschen

Ersetzen Sie die Kohlefilter alle drei Monate.



3 MONATE



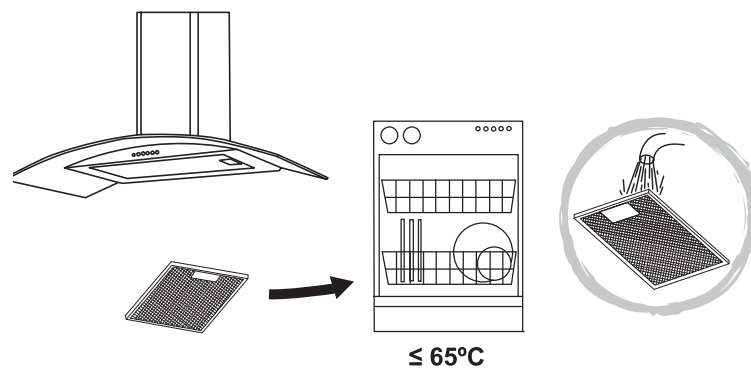
2 Kohlefilter, Modellnummer CARBFILT4, erhältlich über die Kunden-Hotline – nähere Informationen siehe das Ende des Abschnitts Pflege & Wartung.

## 03 Aluminium-Fettfilter reinigen

**Aluminium-Filter:** Nehmen Sie einmal monatlich eine Reinigung vor, um einen Brand zu verhindern. Nehmen Sie die Filter zu diesem Zweck heraus und weichen Sie sie eine Stunde lang in heißem Wasser mit Reinigungsmittel ein. Setzen Sie die Filter bei Verwendung einer Spülmaschine senkrecht in die Spülmaschine ein, um den Reinigungsprozess zu verbessern.



1 MONAT



**WARNUNG:** Reinigen oder ersetzen Sie die Filter häufiger, wenn die Haube pro Tag über 2 Stunden lang verwendet wird. Verwenden Sie stets Originalfilter, die Sie vom Hersteller beziehen.

## Kunden-Hotline (gebührenfrei):

Wenden Sie sich bitte an Ihren Händler.



EN Use  
RO Utilizare

FR Utilisation  
ES Uso

PL Użytkowanie  
PT Utilização

DE Benutzung  
TR Kullanım

RUS Использование

## Перед началом эксплуатации



**ПРЕДУПРЕЖДЕНИЕ.** Перед использованием прибора ознакомьтесь с инструкцией.

Чтобы включить прибор, нажмите на кнопку выключателя. Прибор готов к работе.

## Функциональность и настройки

### 01 Панель с пятью кнопками

Для достижения наилучших результатов рекомендуется оставить вытяжку включенной на период до 15 минут после окончания готовки.

	Выключатель встроенной подсветки
	Выключатель вытяжного вентилятора
	Скорость вытяжного вентилятора 1
	Скорость вытяжного вентилятора 2
	Скорость вытяжного вентилятора 3



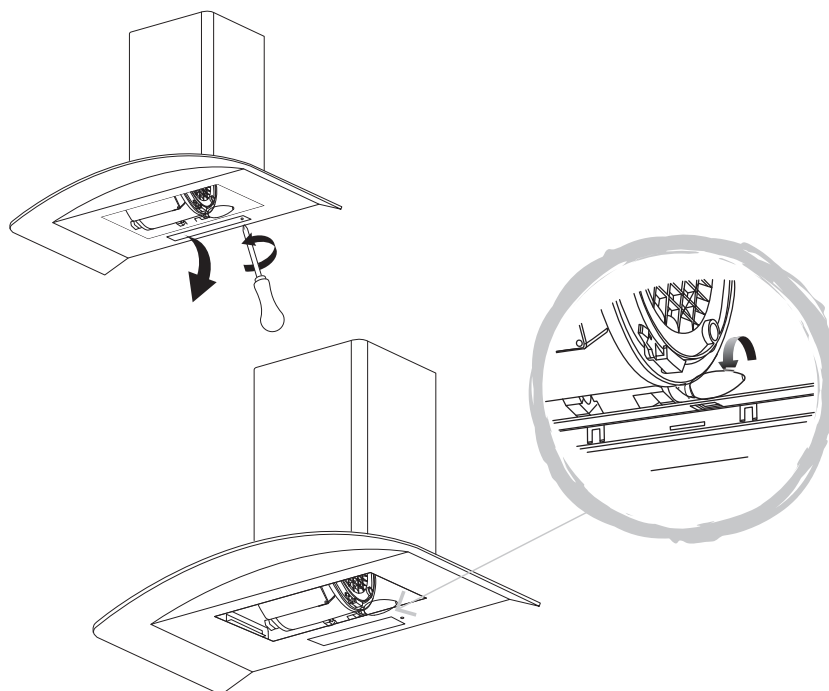
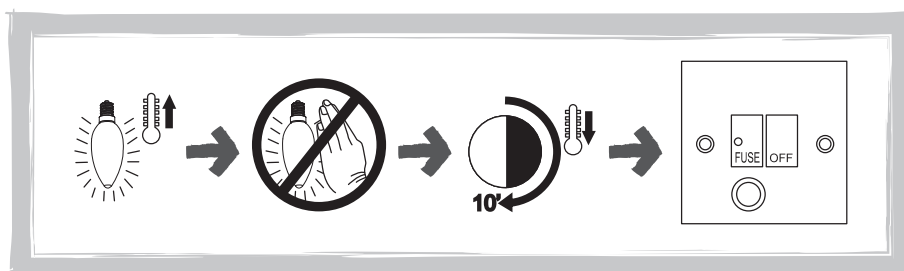
**ПРЕДУПРЕЖДЕНИЕ.** Всегда отключайте электропитание при проведении работ по техническому обслуживанию вытяжки. При обнаружении неполадок обратитесь в Центр обслуживания клиентов.



EN Care & maintenance  
 PL Pielęgnacja i konserwacja  
 RUS Уход и обслуживание  
 ES Cuidados y Mantenimiento  
 TR Bakım ve Onarım

FR Entretien et maintenance  
 DE Pflege und Wartung  
 RO Îngrijire și întreținere  
 PT Cuidados e manutenção

## 01 Замена лампочки



**ПРЕДУПРЕЖДЕНИЕ.** После выключения оставьте лампочку на 10 минут, чтобы она остыла.

**EAC** Соответствует всем требуемым Техническим регламентам Таможенного союза.

Производитель \ продавец товара не несет ответственности за причинение ущерба здоровью или имуществу вследствие эксплуатации товара по истечению срока службы.

Дата изготовления (месяц.год) см. на упаковке.

Данный прибор не предназначен для использования детьми, а так же лицами, имеющими физические, нервные или психические отклонения или недостаток опыта и знаний, за исключением случаев, когда за такими лицами осуществляется надзор или проводится их инструктирование относительно использования данного прибора лицом, отвечающим за их безопасность. Необходимо осуществлять надзор за детьми с целью недопущения их игр с прибором.

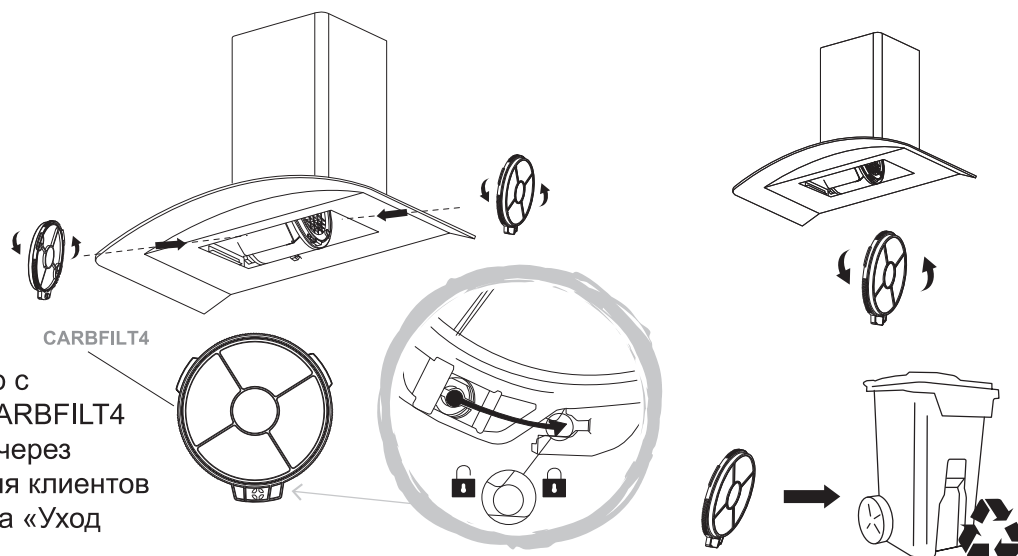
Критерием предельного состояния изделия является истечение его срока службы.

## 02 Замена угольного фильтра

Меняйте угольные фильтры раз в три месяца.



3 МЕСЯЦА



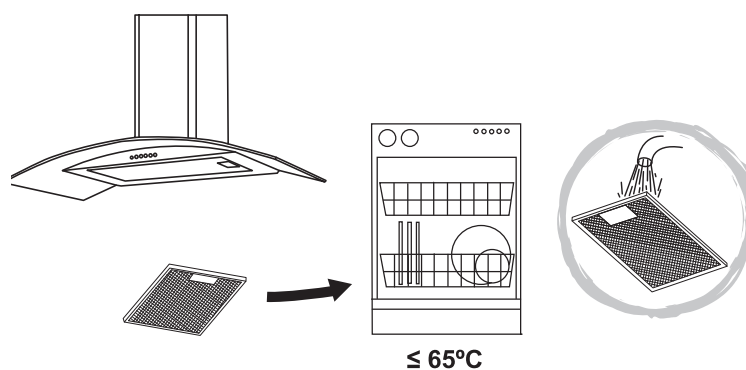
2x угольный фильтр с номером модели CARBFILT4 можно приобрести через Центр обслуживания клиентов (см. в конце раздела «Уход и обслуживание»).

## 03 Очистка алюминиевого жироулавливающего фильтра

**Алюминиевые фильтры:** во избежание возгораний тщательно очищайте фильтры раз в месяц. Снимите фильтры и поместите их в горячую воду с чистящим средством на 1 час. При использовании посудомоечной машины ставьте фильтры вертикально для более эффективной очистки.



1 МЕСЯЦ



**ПРЕДУПРЕЖДЕНИЕ.** Если вытяжка используется более 2 часов в день, очистку/замену фильтра необходимо выполнять чаще. Всегда используйте оригинальные фильтры от производителя.

**Центр обслуживания клиентов (звонки бесплатны):**

Обратитесь к своему продавцу



EN Use  
RO Utilizare

FR Utilisation  
ES Uso

PL Użytkowanie  
PT Utilização

DE Benutzung  
TR Kullanım

RUS Использование

## Înainte de a începe



**AVERTISMENT:** Citiți instrucțiunile înainte de utilizarea aparatului.

Porniți aparatul de la unitatea de conectare cu siguranță comutată. Aparatul este gata de utilizare.

## Funcție și setări

### 01 Panou cu cinci butoane

Pentru a obține cele mai bune rezultate de la hota de bucătărie, se recomandă menținerea în funcțiune până la 15 minute după finalizarea gătirii.

	Buton pornire/oprire pentru lumina încorporată
	Buton de oprire pentru ventilatorul de evacuare
	Buton ventilator evacuare viteza 1
	Buton ventilator evacuare viteza 2
	Buton ventilator evacuare viteza 3



**AVERTISMENT:** Deconectați întotdeauna alimentarea electrică înainte de a efectua lucrări de întreținere la hotă. În caz de defecțiune, contactați serviciul clienți.

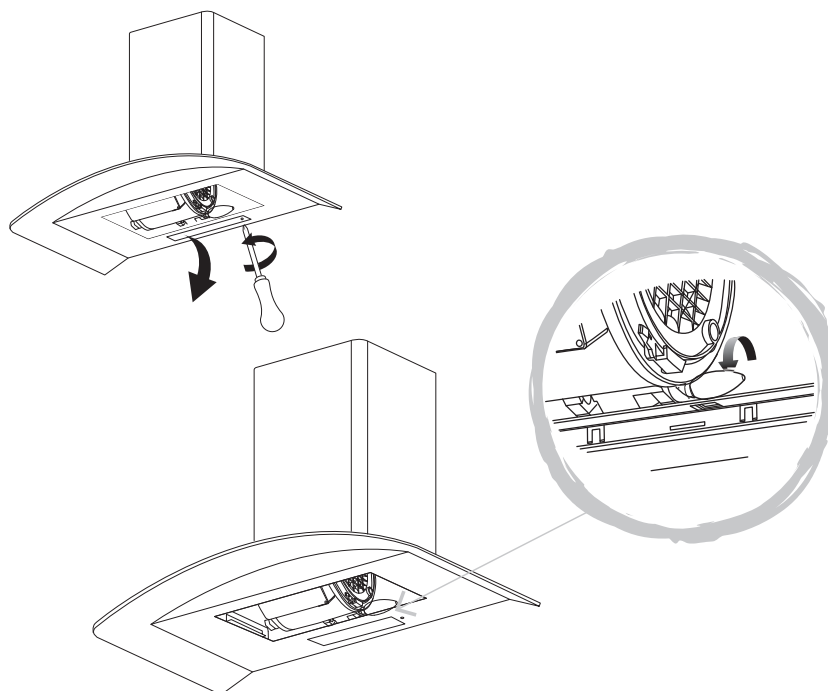
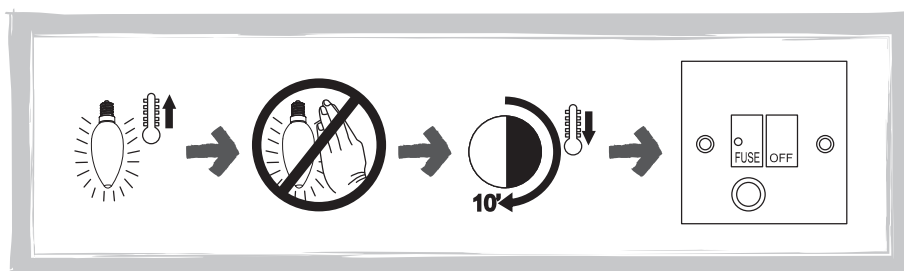




EN Care & maintenance  
 PL Pielęgnacja i konserwacja  
 RUS Уход и обслуживание  
 ES Cuidados y Mantenimiento  
 TR Bakım ve Onarım

FR Entretien et maintenance  
 DE Pflege und Wartung  
 RO Îngrijire și întreținere  
 PT Cuidados e manutenção

## 01 Înlocuirea becului



**AVERTISMENT:** Lăsați becul să se răcească zece minute înainte de manipulare.

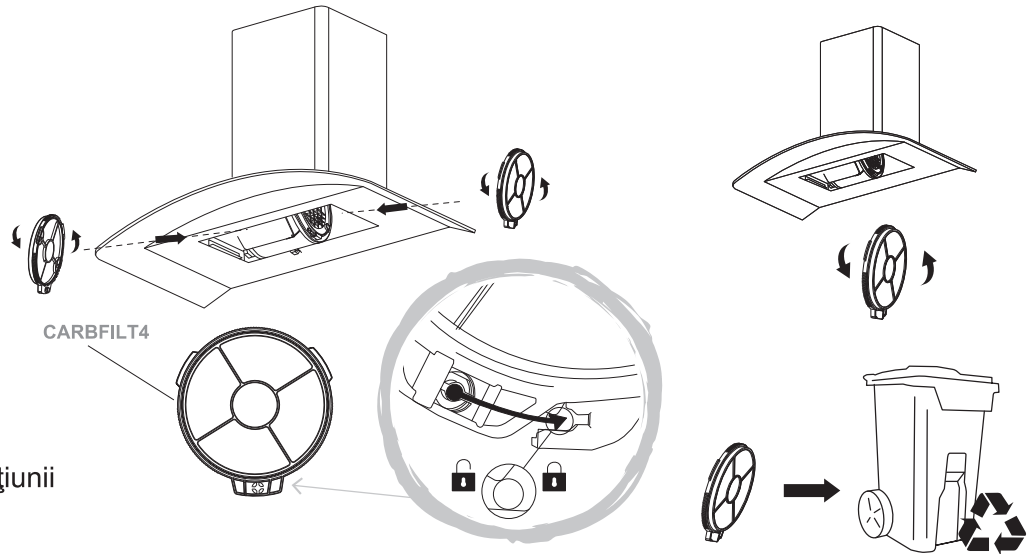
## 02 Înlocuirea filtrului de carbon

Înlocuiți filtrele de carbon la fiecare trei luni.



3 LUNI

2 x filtre de carbon, număr model CARBFILT4, disponibile prin linia de asistență clienți - consultați finalul secțiunii Îngrijire și întreținere pentru detalii.

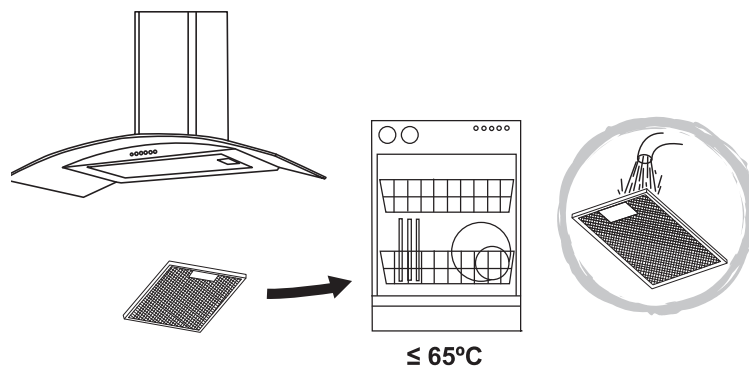


## 03 Curățarea filtrului de grăsime din aluminiu

**Filtre din aluminiu:** Pentru evitarea incendiilor, curățați bine lunar. Pentru realizarea acestui lucru, îndepărtați filtrele și înmuiați în apă fierbinte cu detergent timp de o oră. Dacă folosiți o mașină de spălat vase, poziționați filtrele vertical pentru îmbunătățirea procesului de curățare.



1 LUNĂ



**AVERTISMENT:** Curățați/înlocuiți filtrele din hotă dacă se folosește mai mult de 2 ore pe zi. Folosiți întotdeauna filtre originale de la producător.

## Asistență clienți (apel gratuit):

0800 895 099 [romania@kingfisherservice.com](mailto:romania@kingfisherservice.com)



EN Use  
RO Utilizare

FR Utilisation  
ES Uso

PL Użytkowanie  
PT Utilização

DE Benutzung  
TR Kullanım

RUS Использование

## Antes de empezar



**ADVERTENCIA:** Lea las instrucciones antes de utilizar el aparato.

Encienda el aparato en la unidad de conexión conmutada con fusible. El aparato está listo para su uso.

## Funcionamiento y ajustes

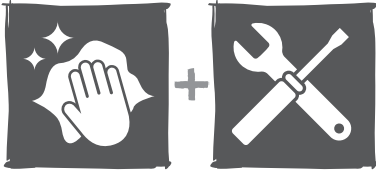
### 01 Panel de cinco botones

Para obtener los mejores resultados de la campana, se recomienda dejarla encendida hasta quince minutos después de haber terminado de cocinar.

	Botón de encendido/apagado de la luz
	Botón de apagado del ventilador del extractor
	Botón 1 de velocidad del ventilador del extractor
	Botón 2 de velocidad del ventilador del extractor
	Botón 3 de velocidad del ventilador del extractor



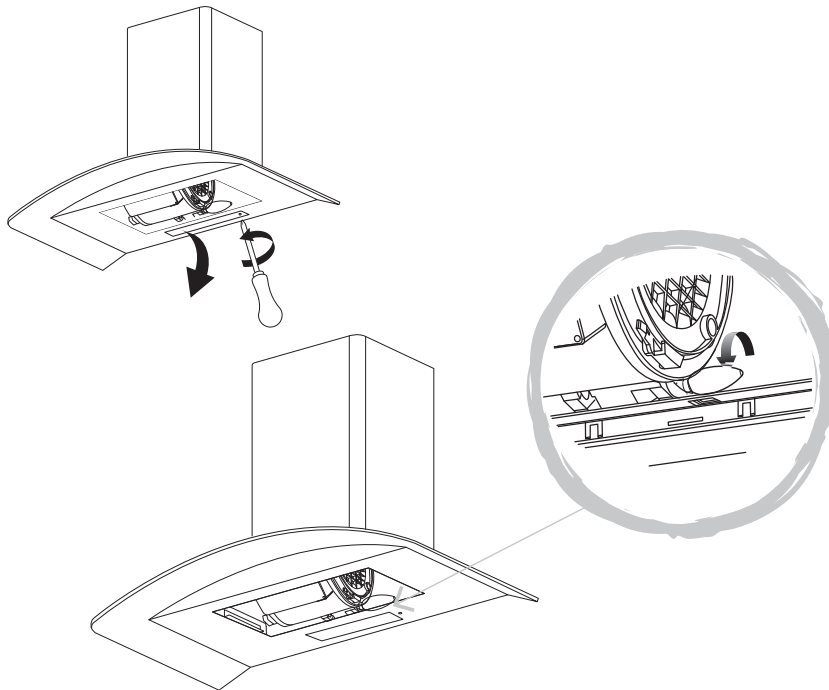
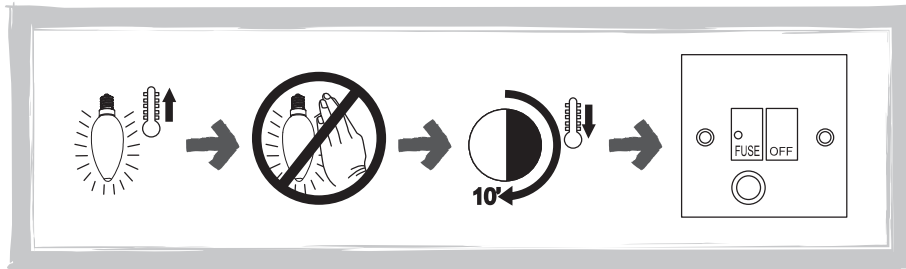
**ADVERTENCIA:** Desconecte siempre la alimentación eléctrica antes de llevar a cabo tareas de mantenimiento en la campana. En caso de avería, póngase en contacto con el servicio de atención al cliente.



EN Care & maintenance  
 PL Pielęgnacja i konserwacja  
 RUS Уход и обслуживание  
 ES Cuidados y Mantenimiento  
 TR Bakım ve Onarım

FR Entretien et maintenance  
 DE Pflege und Wartung  
 RO Îngrijire și întreținere  
 PT Cuidados e manutenção

## 01 Sustitución de la lámpara



**ADVERTENCIA:** Espere diez minutos hasta que la bombilla se enfríe antes de manipularla.

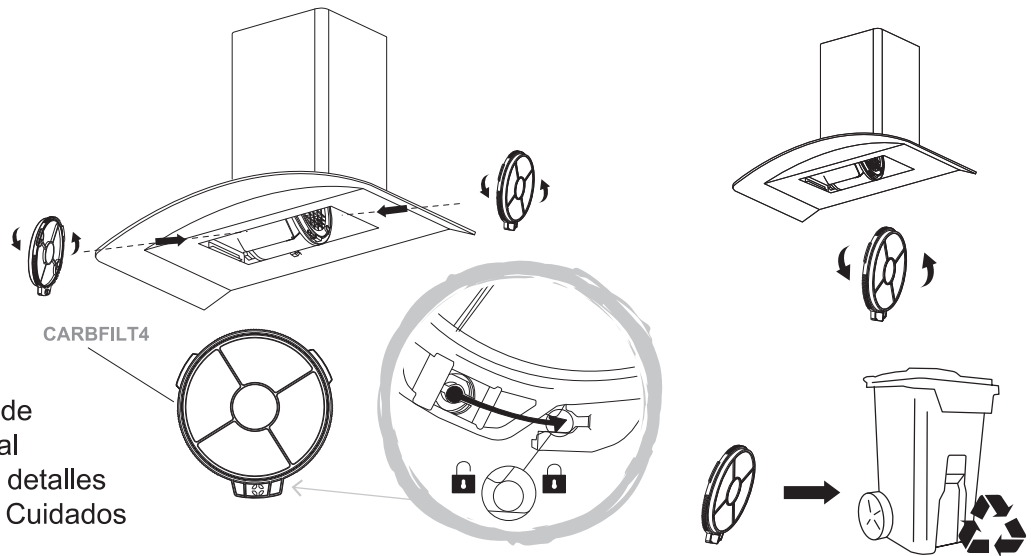
## 02 Sustitución del filtro de carbono

Sustituya los filtros de carbono cada tres meses.



3 MESES

Dos filtros de carbono, número de modelo CARBFILT4, disponibles a través de la línea de atención al cliente - consulte los detalles al final de la sección Cuidados y mantenimiento.

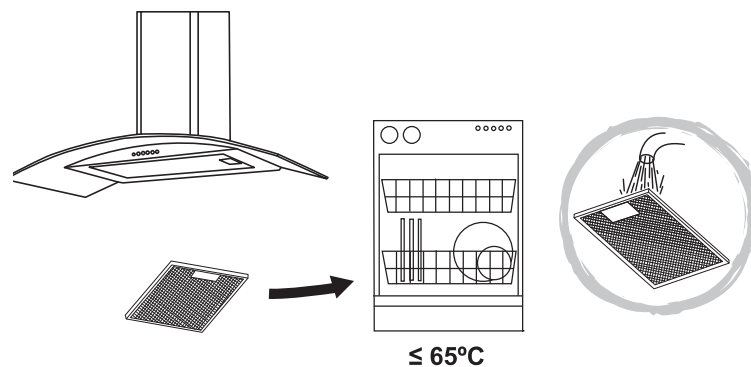


## 03 Limpieza del filtro de grasa de aluminio

**Filtros de aluminio:** Para evitar incendios, limpie los filtros a conciencia una vez al mes. Para ello, quite los filtros y sumérgalos en agua caliente y detergente durante una hora. Si utiliza el lavavajillas, coloque los filtros verticalmente para mejorar el proceso de limpieza.



1 MES



**ADVERTENCIA:** Aumente la frecuencia de limpieza/sustitución de filtros si la campana se utiliza durante más de dos horas al día. Utilice siempre filtros originales del fabricante.

**Línea de atención al cliente (número gratuito):**

800 098 794 [spain@kingfisherservice.com](mailto:spain@kingfisherservice.com)



EN Use  
RO Utilizare

FR Utilisation  
ES Uso

PL Użytkowanie  
PT Utilização

DE Benutzung  
TR Kullanım

RUS Использование

## Antes de começar



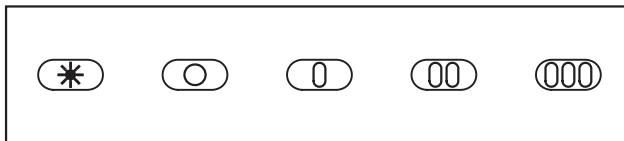
**AVISO:** Leia as instruções antes de utilizar o aparelho.

Ligue o aparelho na unidade de ligação com fusível e interruptor. O aparelho está pronto para ser utilizado.

## Função e configurações

### 01 Painel de cinco botões

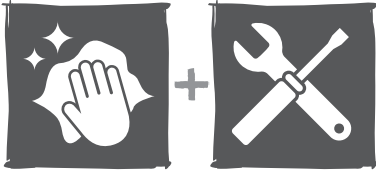
Para obter os melhores resultados do exaustor, recomenda-se que o deixe ligado até 15 minutos após terminar de cozinhar.



	Botão de ligar/desligar da luz integrada
	Botão de desligar do ventilador do extrator
	Botão de velocidade 1 do ventilador do extrator
	Botão de velocidade 2 do ventilador do extrator
	Botão de velocidade 3 do ventilador do extrator



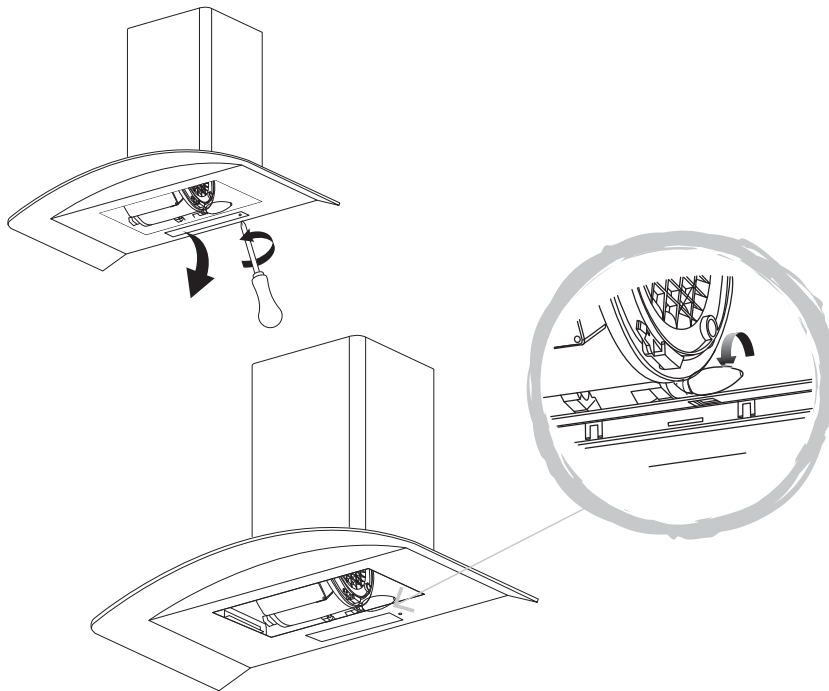
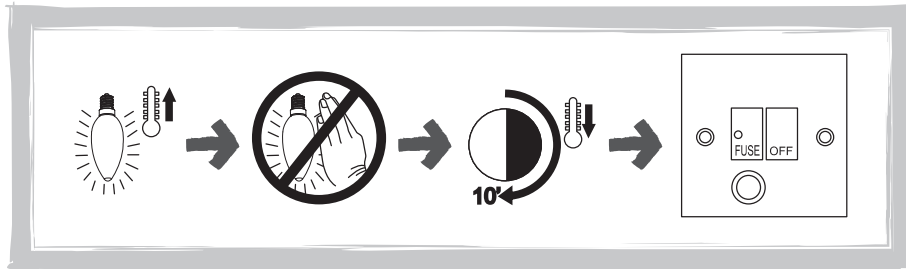
**AVISO:** Desligue sempre a alimentação elétrica antes de realizar a manutenção do exaustor. Em caso de problemas, entre em contacto com o serviço de atendimento ao cliente.



EN Care & maintenance  
 PL Pielęgnacja i konserwacja  
 RUS Уход и обслуживание  
 ES Cuidados y Mantenimiento  
 TR Bakım ve Onarım

FR Entretien et maintenance  
 DE Pflege und Wartung  
 RO Îngrijire și întreținere  
 PT Cuidados e manutenção

## 01 Substituição de lâmpada



**AVISO:** Aguarde dez minutos até que a lâmpada arrefeça antes de a manusear.



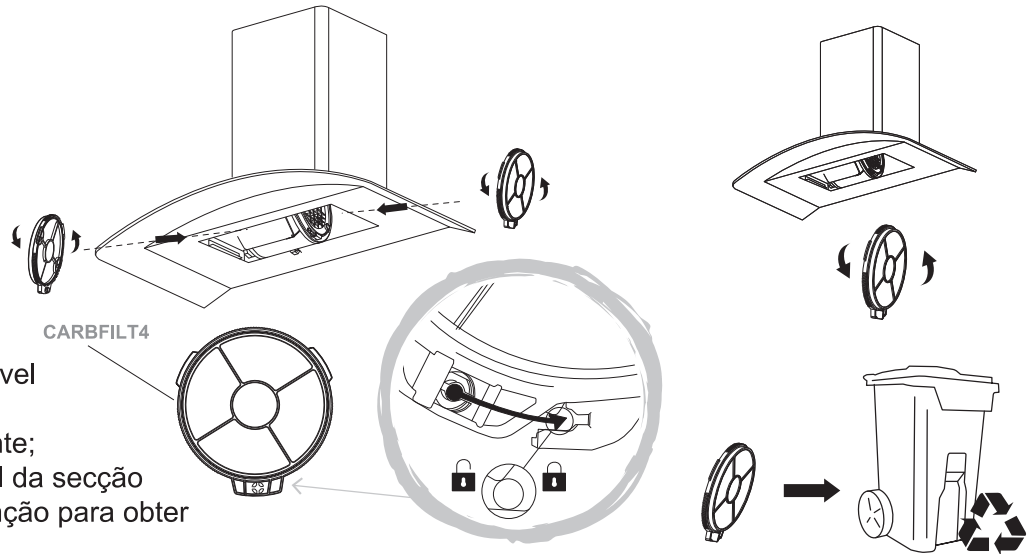
## 02 Substituição do filtro de carbono

Substitua os filtros de carbono de três em três meses.



3 MESES

2 filtros de carbono, número de modelo CARBFILT4, disponível através da linha de atendimento ao cliente; consulte a parte final da secção Cuidados e Manutenção para obter mais detalhes.

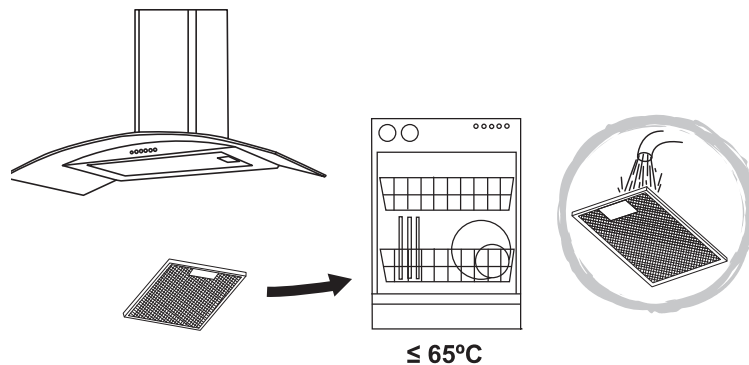


## 03 Limpeza do filtro de gorduras de alumínio

**Filtros de alumínio:** Para evitar incêndios, limpe cuidadosamente uma vez por mês. Para tal, retire os filtros e embeba-os em água quente e detergente durante uma hora. Se utilizar uma máquina de lavar louça, posicione os filtros na vertical para melhorar o processo de limpeza.



1 MÊS



**AVISO:** Aumente a frequência de substituição/limpeza do filtro se o extrator for utilizado mais de 2 horas por dia. Utilize sempre filtros genuínos do fabricante.

**Linha de atendimento ao cliente (gratuita):**

800 814 566 [portugal@kingfisherservice.co.uk](mailto:portugal@kingfisherservice.co.uk)



EN Use  
RO Utilizare

FR Utilisation  
ES Uso

PL Użytkowanie  
PT Utilização

DE Benutzung  
TR Kullanım

RUS Использование

## Çalıştırmadan önce



**UYARI:** Cihazı kullanmadan önce talimatları okuyun.

Anahtarlamalı sigortalı bağlantı ünitesinden cihazı açın. Cihaz kullanıma hazırdır.

## Fonksiyon ve Ayarlar

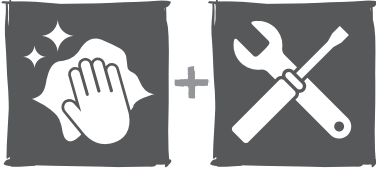
### 01 Beş düğmeli panel

Davlumbazınızdan en iyi sonucu elde etmek için yemek pişirmeyi bitirdikten sonra davlumbazı yaklaşık 15 dakika açık bırakmanız önerilir.

	Dahili aydınlatma için açma/kapama düğmesi
	Aspiratör için kapama düğmesi
	Aspiratör hızı 1 düğmesi
	Aspiratör hızı 2 düğmesi
	Aspiratör hızı 3 düğmesi



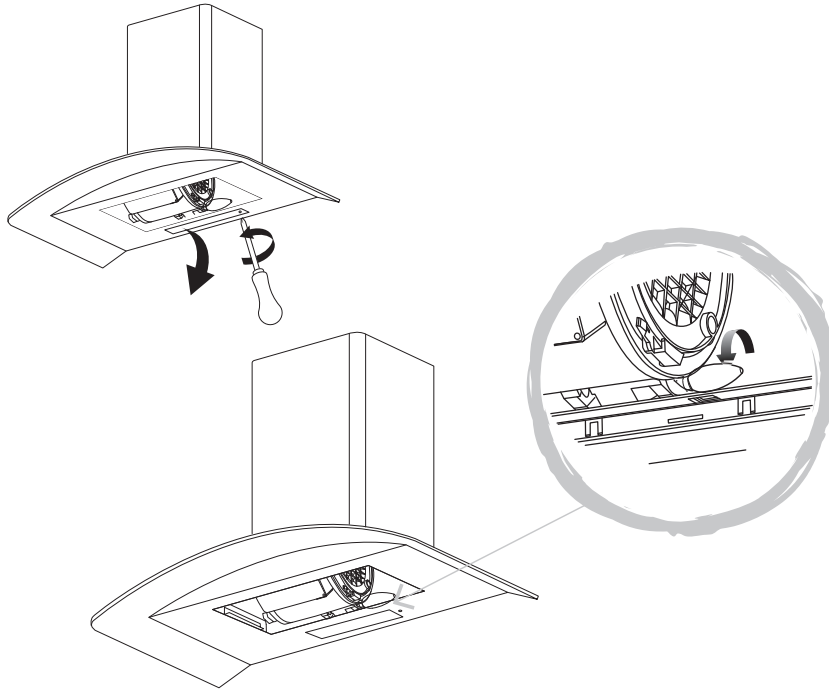
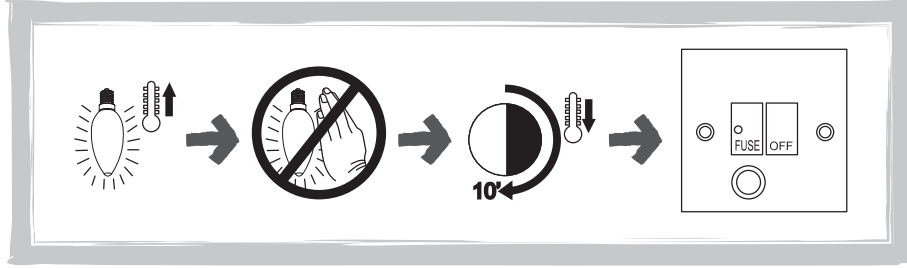
**UYARI:** Davlumbazda bakım işi gerçekleştirmeden önce her zaman güç kaynağını kapatın. Bir arıza durumunda müşteri hizmetleriyle iletişime geçin.



EN Care & maintenance  
 PL Pielęgnacja i konserwacja  
 RUS Уход и обслуживание  
 ES Cuidados y Mantenimiento  
 TR Bakım ve Onarım

FR Entretien et maintenance  
 DE Pflege und Wartung  
 RO Îngrijire și întreținere  
 PT Cuidados e manutenção

## 01 Lampa deęıştırme



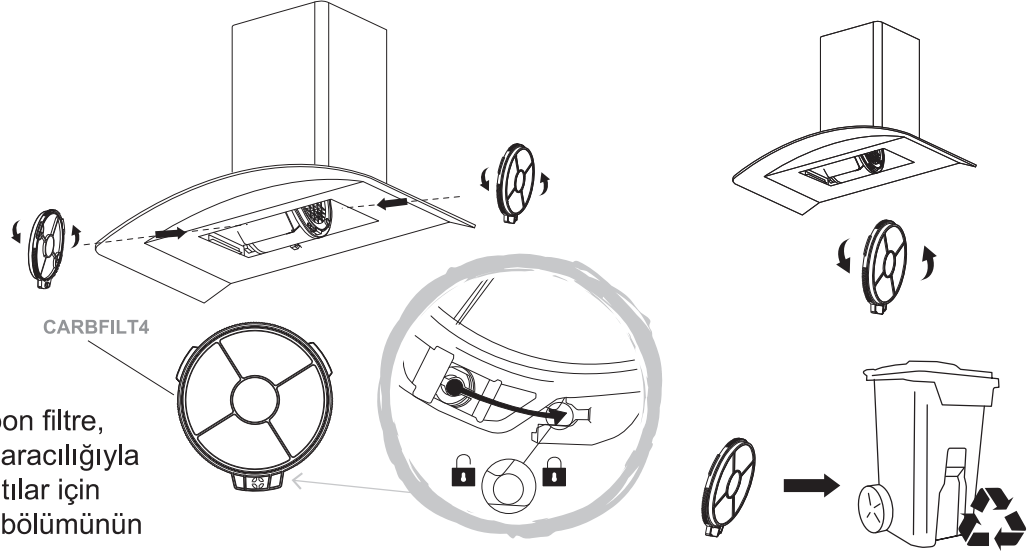
**UYARI:** Ampülü çıkarmadan önce soęuması için on dakika bekleyin.

## 02 Karbon filtre deęiřtirme

Her üç ayda bir karbon filtreleri deęiřtirin.



3 AY



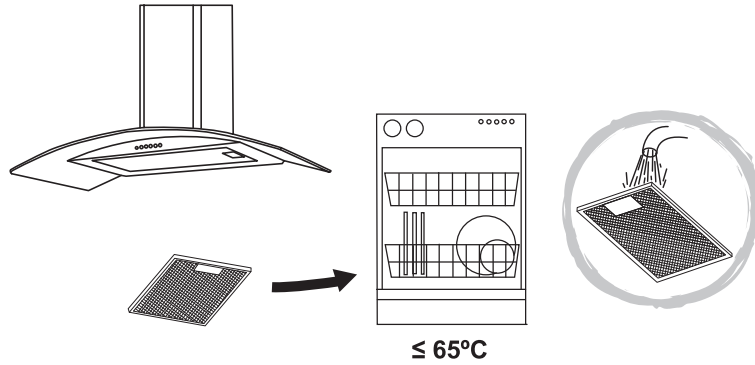
CARBFILT4 model numaralı 2 adet karbon filtre, müşteri yardım hattı aracılığıyla temin edilebilir. Ayrıntılar için Bakım ve Muhafaza bölümünün sonuna bakın.

## 03 Alüminyum yağ filtresi temizlięi

**Alüminyum filtreler:** Yangından sakınmak için ayda bir kez tamamen temizleyin. Temizlemek için filtreleri çıkarın ve deterjanlı sıcak suda bir saat bekletin. Bulařık makinesi kullanıyorsanız temizlik işlemini iyileřtirmek için filtreleri dikey olarak yerleřtirin.



1 AY



**UYARI:** Davlumbaz, günde 2 saatten fazla kullanılıyorsa filtre temizleme/deęiřtirme sıklığına artırın. Her zaman, üreticiden temin edilen orijinal filtreleri kullanın.

**Müşteri yardım hattı (ücretsiz):**

80044632181 turkey@kingfisherservice.com

**Manufacturer • Fabricant • Producent •  
Producător • Fabricante:**

**UK Manufacturer:**

Kingfisher International Products Limited,  
3 Sheldon Square, London, W2 6PX,  
United Kingdom

**EU Manufacturer:**

Kingfisher International Products B.V.  
Rapenburgerstraat 175E  
1011 VM Amsterdam  
The Netherlands  
[www.kingfisher.com/products](http://www.kingfisher.com/products)

**EN**

[www.diy.com](http://www.diy.com)  
[www.screwfix.com](http://www.screwfix.com)  
[www.screwfix.ie](http://www.screwfix.ie)

**To view instruction manuals online,  
visit [www.kingfisher.com/products](http://www.kingfisher.com/products)**

**FR**

[www.castorama.fr](http://www.castorama.fr)  
[www.bricodepot.fr](http://www.bricodepot.fr)

**Pour consulter les manuels d'instructions  
en ligne, rendez-vous sur le site  
[www.kingfisher.com/products](http://www.kingfisher.com/products)**

**PL**

[www.castorama.pl](http://www.castorama.pl)

**Aby zapoznać się z instrukcją obsługi online,  
odwiedź stronę [www.kingfisher.com/products](http://www.kingfisher.com/products)**

**RUS**

**Импортер:**

ООО «Касторама РУС»  
Дербеневская наб., дом 7, стр.8,  
Россия, Москва, 115114  
[www.castorama.ru](http://www.castorama.ru)

**Изготовитель для России:**

Чжуншань Хунвэй Мотор Мануфактуринг  
Ко., Лтд

**Адрес:**

Дорога Юху 2, Блок С промышленного  
квартала Мао Ху, город Хинлянь,  
Чжуншань, Гуандун, Китай

**Онлайн-версии руководств по  
эксплуатации доступны на странице  
[www.kingfisher.com/products](http://www.kingfisher.com/products)**

**RO**

[www.bricodepot.ro](http://www.bricodepot.ro)

**Pentru a consulta manualele de instrucțiuni  
online, vizitați [www.kingfisher.com/products](http://www.kingfisher.com/products)**

**ES**

[www.bricodepot.es](http://www.bricodepot.es)

**Para consultar los manuales de instrucciones  
en línea, visite [www.kingfisher.com/products](http://www.kingfisher.com/products)**

**PT**

[www.bricodepot.pt](http://www.bricodepot.pt)

**Para consultar manuais de instruções online,  
visite [www.kingfisher.com/products](http://www.kingfisher.com/products)**

**TR**

**İthalatçı Firma:**

KOÇTAŞ YAPI MARKETLERİ TİC. A.Ş.  
Taşdelen Mah. Sırrı Çelik Bulvarı No:5  
34788 Taşdelen/Çekmeköy/İSTANBUL  
Tel: +90 216 4300300  
Faks: +90 216 4844313  
[www.koctas.com.tr](http://www.koctas.com.tr)

**Kullanım kılavuzuna internet üzerinden ulaşmak  
için [www.kingfisher.com/products](http://www.kingfisher.com/products) adresini  
ziyaret edin**

Yetkili servis istasyonları ve yedek parça temini için  
aşağıda yer alan Koçtaş Müşteri Hattı ve Koçtaş  
Genel Müdürlük irtibat bilgilerinden faydalanınız.

KOÇTAŞ MÜŞTERİ HİZMETLERİ  
0850 209 50 50







