

EAN: 3663602894520  
ST1008WU

# Hollis

V21020 BX220IM



**EN** IMPORTANT - Please read carefully the separate safety guide before use.

**FR** IMPORTANT - Lire attentivement le guide de sécurité séparé avant utilisation.

**PL** WAŻNE - Przed użyciem proszę dokładnie zapoznać się z instrukcją bezpieczeństwa.

**DE** WICHTIG - Lesen Sie vor Gebrauch die separaten Sicherheitshinweise.

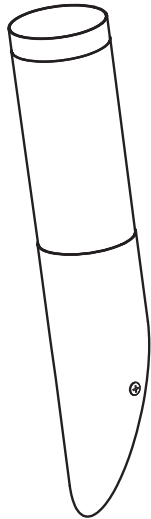
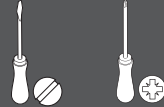
**RUS** ВАЖНО - Пожалуйста, внимательно прочитайте отдельное руководство по технике безопасности перед использованием.

**RO** IMPORTANT - Vă rugăm să citiți cu atenție ghidul de siguranță separat înainte de utilizare.

**ES** IMPORTANTE - Lea atentamente la guía de seguridad separado antes de utilizar.

**PT** IMPORTANTE - Leia atentamente o guia de segurança separado antes de usar.

**TR** ÖNEMLİ - Kullanmadan önce emniyet kurallarını lütfen dikkatle okuyun.



[01] x 1



[A] x 2



[B] x 2



EN Installation  
DE Installation  
ES Instalación

FR Installation  
RUS Установка  
PT Instalação

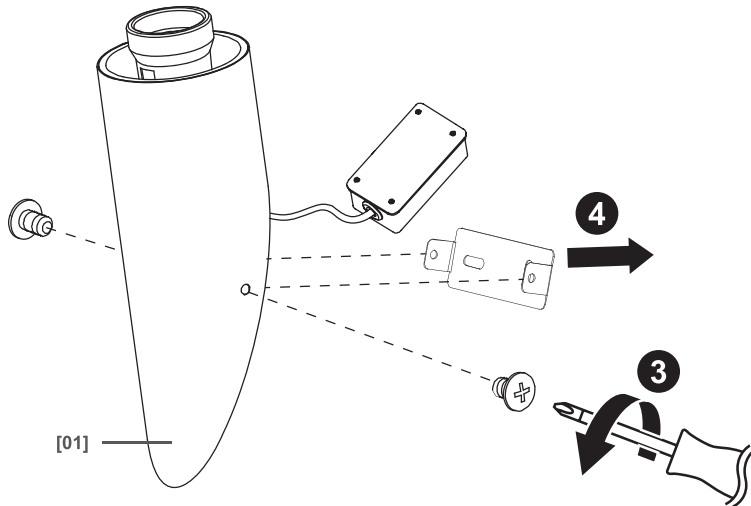
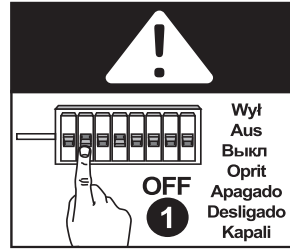
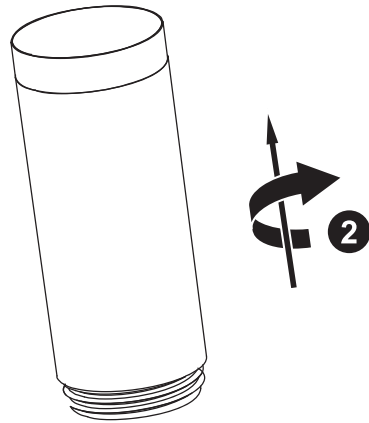
PL Instalacja  
RO Instalare  
TR Montaj

3

01



[01] x 1

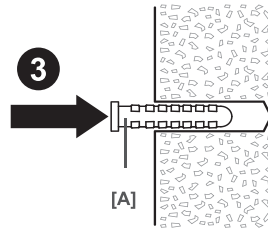
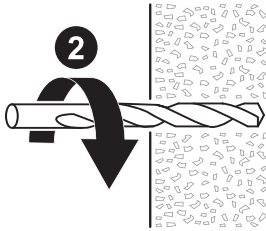
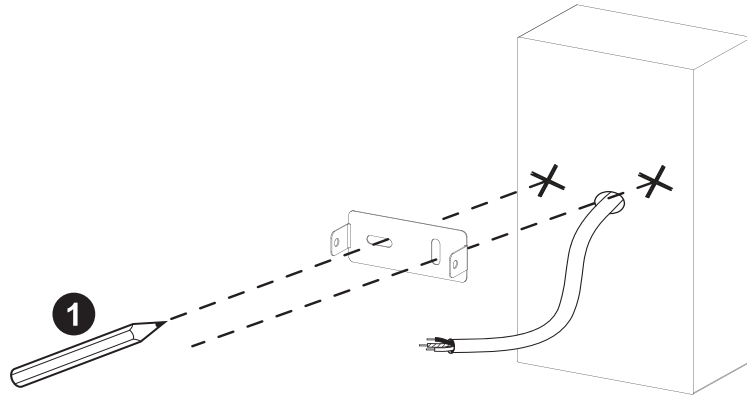


02



[A] x 2

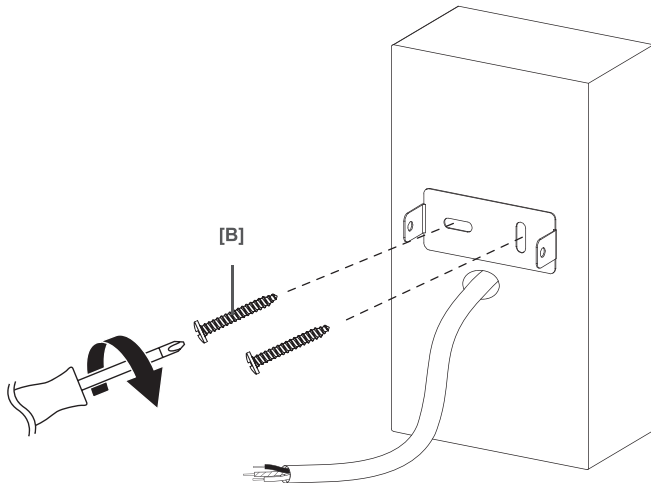
4



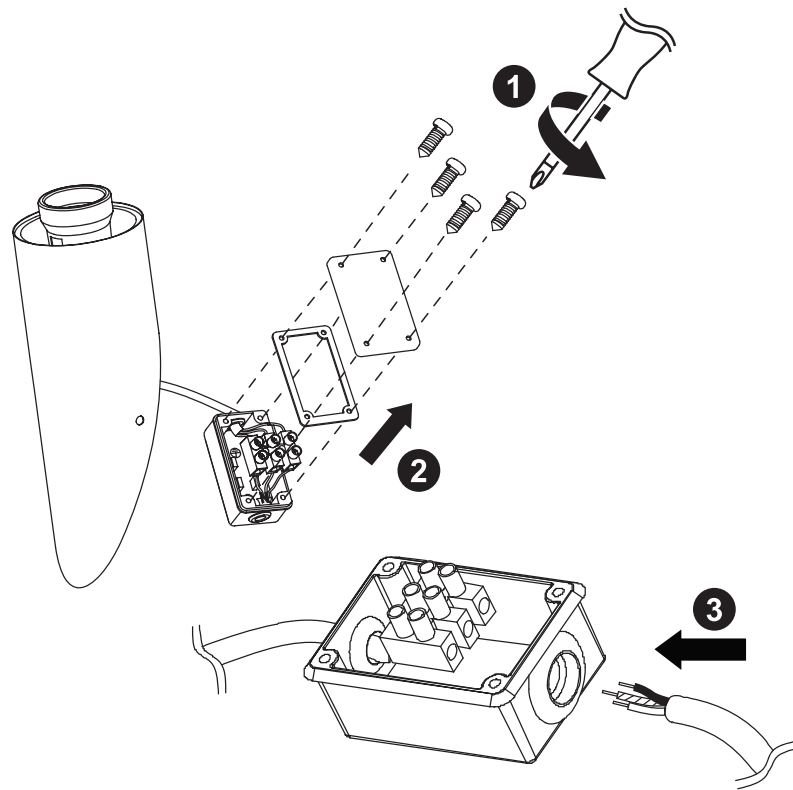
03



[B] x 2

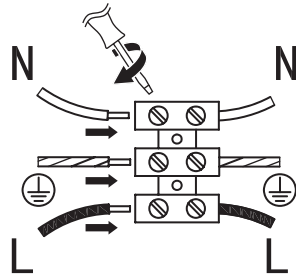


04



5

05



**EN** L = Brown or Red  
N = Blue or Black  
⏚ = Green / Yellow

**FR** L = Marron ou Rouge  
N = Bleu  
⏚ = Vert/Jaune

**PL** L = Brązowy lub Czerwony  
N = Niebieski  
⏚ = Żółto-Zielony

**DE** L = Braun oder Rot  
N = Blau  
⏚ = Grün / Gelb

**RUS** L = Коричневый или красный  
N = Синий  
⏚ = Желтый / Зеленый

**RO** L = Maro sau rosu  
N = Albastru  
⏚ = Verde / Galben

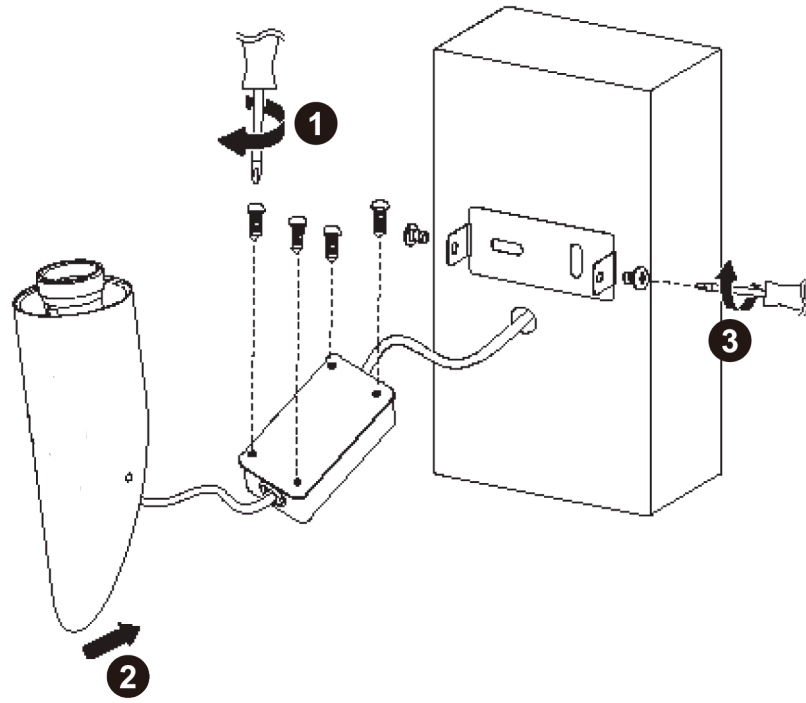
**ES** L = Marrón o Rojo o Negro  
N = Azul  
⏚ = Amarillo / Verde

**PT** L = Castanho ou Vermelho  
N = Azul  
⏚ = Verde / Amarelo

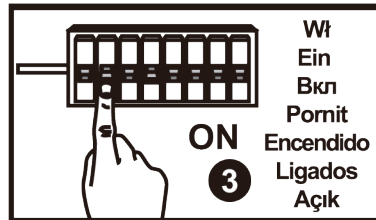
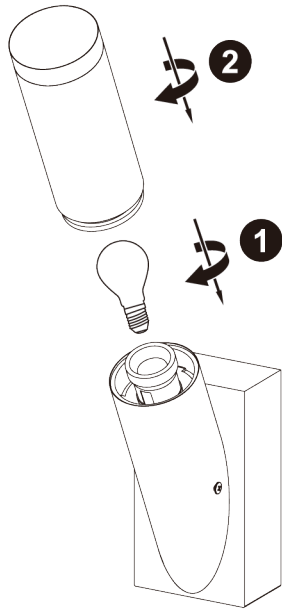
**TR** L = Kahverengi  
N = Mavi  
⏚ = Sarı-Yeşil

06

6



07



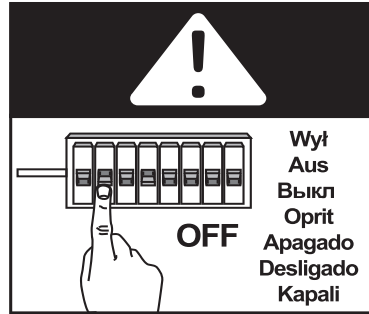


EN Care  
DE Pflege  
ES Cuidados

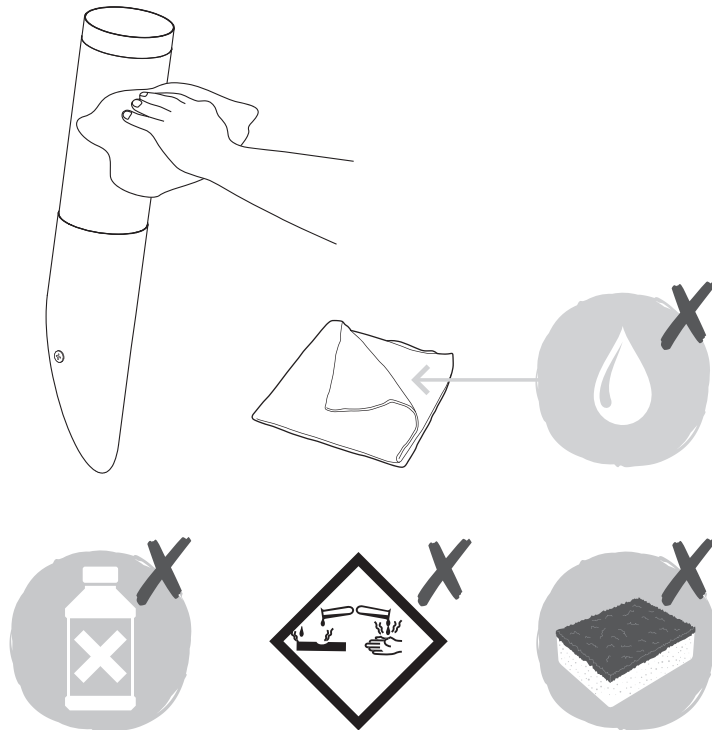
FR Entretien  
RUS Уход  
PT Cuidados

PL Pielęgnacja  
RO Îngrijire  
TR Bakım

01



02

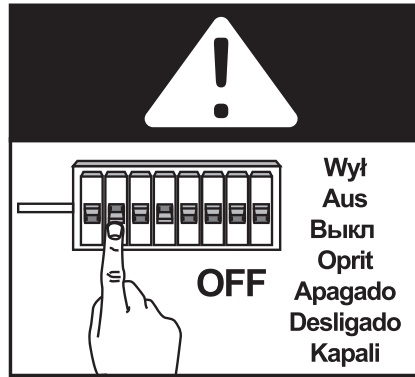




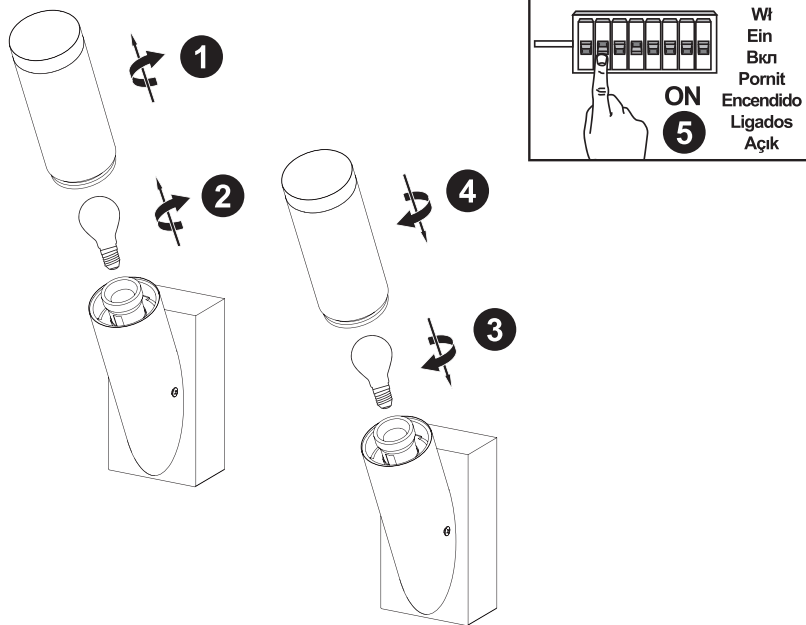
- |                  |                  |                |
|------------------|------------------|----------------|
| EN Maintenance   | FR Maintenance   | PL Konserwacja |
| DE Wartung       | RUS Обслуживание | RO Întreținere |
| ES Mantenimiento | PT Manutenção    | TR Onarım      |

01

- |                           |                              |                         |
|---------------------------|------------------------------|-------------------------|
| EN Bulb replacement       | FR Remplacement de l'ampoule | PL Wymiana żarówki      |
| DE Leuchtmittelwechsel    | RUS Замена лампочки          | RO Înlocuirea becurilor |
| ES Reemplazo de bombillas | PT Ubstituuição de lâmpada   | TR Ampul deęiřtirme     |



02





**Manufacturer • Fabricant • Producent  
Producător • Fabricante:**

**UK Manufacturer:**

Kingfisher International Products Limited,  
3 Sheldon Square, London, W2 6PX,  
United Kingdom

**EU Manufacturer:**

Kingfisher International Products B.V.  
Rapenburgerstraat 175E  
1011 VM Amsterdam  
The Netherlands  
[www.kingfisher.com/products](http://www.kingfisher.com/products)

**EN** [www.diy.com](http://www.diy.com)  
[www.screwfix.com](http://www.screwfix.com)  
[www.screwfix.ie](http://www.screwfix.ie)

**To view instruction manuals online,  
visit [www.kingfisher.com/products](http://www.kingfisher.com/products)**

**FR** [www.castorama.fr](http://www.castorama.fr)  
[www.bricodepot.fr](http://www.bricodepot.fr)

**Pour consulter les manuels d'instructions  
en ligne, rendez-vous sur le site  
[www.kingfisher.com/products](http://www.kingfisher.com/products)**

**PL** [www.castorama.pl](http://www.castorama.pl)

**Aby zapoznać się z instrukcją obsługi online,  
odwiedź stronę [www.kingfisher.com/products](http://www.kingfisher.com/products)**

**RUS** **Импортер:**

ООО «Касторама РУС»  
Дербеневская наб., дом 7, стр 8,  
Россия, Москва, 115114  
[www.castorama.ru](http://www.castorama.ru)

**Изготовитель для России:**

Нинбо Сантек Лайтинг Текнолоджи Ко., Лтд,  
**Адрес:** № 23, Ронгда Роуд, Личжоу Стрит, Юйяо,  
Чжэцзян, Китай



Соответствует техническим регламентам  
Евразийского таможенного союза.

**Онлайн-версии руководств по  
эксплуатации доступны на странице  
[www.kingfisher.com/products](http://www.kingfisher.com/products)**

**RO** [www.bricodepot.ro](http://www.bricodepot.ro)

**Pentru a consulta manualele de instrucțiuni  
online, vizitați [www.kingfisher.com/products](http://www.kingfisher.com/products)**

**ES** [www.bricodepot.es](http://www.bricodepot.es)

**Para consultar los manuales de instrucciones  
en línea, visite [www.kingfisher.com/products](http://www.kingfisher.com/products)**

**PT** [www.bricodepot.pt](http://www.bricodepot.pt)

**Para consultar manuais de instruções online,  
visite [www.kingfisher.com/products](http://www.kingfisher.com/products)**

**TR** **İthalatçı Firma:**

KOÇTAŞ YAPI MARKETLERİ TİC. A.Ş.  
Taşdelen Mah. Sırrı Çelik Bulvarı No:5  
34788 Taşdelen/Çekmeköy/İSTANBUL  
Tel: +90 216 4300300  
Faks: +90 216 4844313  
[www.koctas.com.tr](http://www.koctas.com.tr)

**Kullanım kılavuzuna internet üzerinden ulaşmak  
için [www.kingfisher.com/products](http://www.kingfisher.com/products) adresini  
ziyaret edin**

Yetkili servis istasyonları ve yedek parça temini için  
aşağıda yer alan Koçtaş Müşteri Hattı ve Koçtaş  
Genel Müdürlük irtibat bilgilerinden faydalanınız.

KOÇTAŞ MÜŞTERİ HİZMETLERİ  
0850 209 50 50

AEEE Yönetmeliğine Uygundur  
Menşei: Çin