

3663602991656

Major



EN **IMPORTANT** - Please read carefully the separate safety guide before use.

FR **IMPORTANT** - Lire attentivement le guide de sécurité séparé avant utilisation.

PL **WAŻNE** - Przed użyciem proszę dokładnie zapoznać się z instrukcją bezpieczeństwa.

DE **WICHTIG** - Bitte lesen sie die separaten sicherheitsanweisungen vor gebrauch.

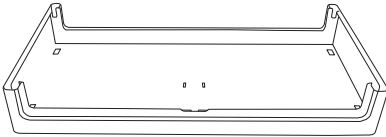
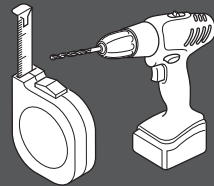
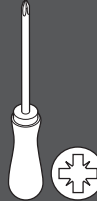
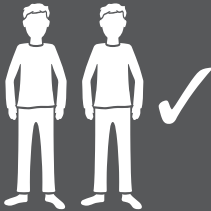
RU **ВАЖНО** - Пожалуйста, внимательно прочитайте отдельное руководство по технике безопасности перед использованием.

RO **IMPORTANT** - Va rugăm să citiți cu atenție ghidul de siguranță separat înainte de utilizare.

ES **IMPORTANTE** - Lea atentamente la guía de seguridad separado antes de utilizar.

PT **IMPORTANTE** - Leia atentamente o guia de segurança separado antes de usar.

TR **ÖNEMLİ** - Kullanmadan önce emniyet kurallarını lütfen dikkatle okuyun.



[A1] x 1



[A8] x 1



[A9] x 1



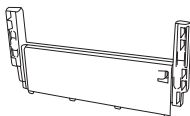
[A2] x 2



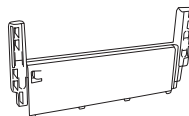
[A3] x 2



[A4] x 2



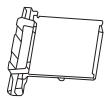
[A5] x 1



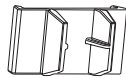
[A6] x 1



x 2



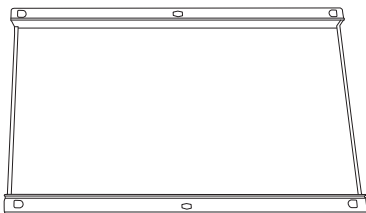
[B2] x 2



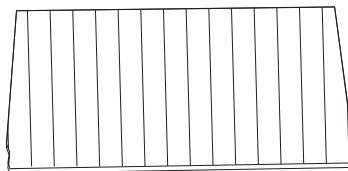
x 1



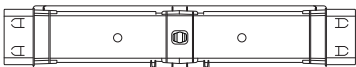
[P5] x 4



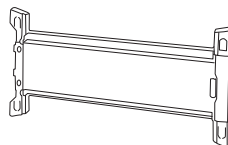
[B1] x 4



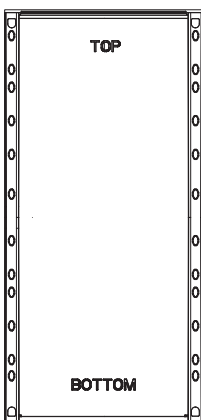
x 2



[B3] x 1



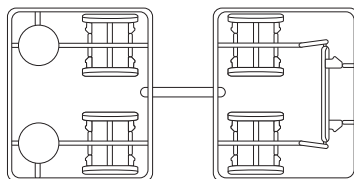
[B4] x 2



[P4] x 2



[4,2X22] x 20



x 1



[C2] x 1



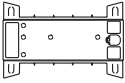
[C7] x 2



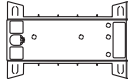
[C3] x 1



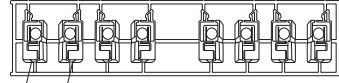
[C8] x 2



[D3] x 1



[D4] x 1



[E3] [E2]

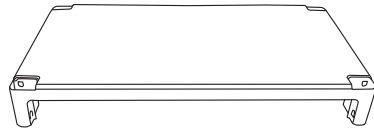
x 2



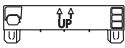
[D1] x 2



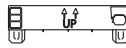
[D2] x 2



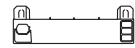
[C1] x 1



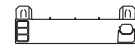
[D5] x 1



[D7] x 1



[D6] x 1



[D8] x 1



[C4] x 1



[C5] x 1



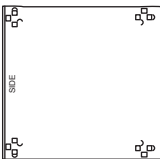
[C9] x 2



[D24] x 1



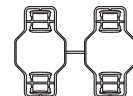
[D25] x 1



[E1] x 4



x 6



x 1



- EN Assembly FR Assemblage PL Montaż DE Montage RU Сборка
RO Asamblare ES Montaje PT Montagem TR Kurulum

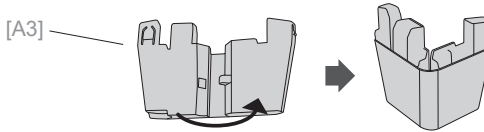
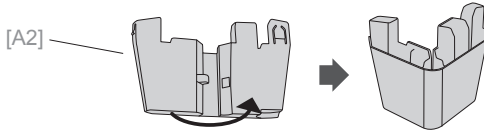
01



[A2] x 2



[A3] x 2

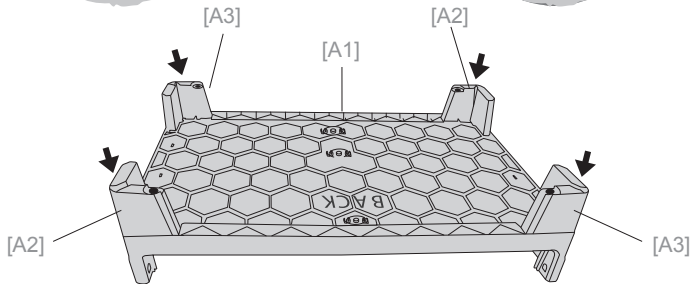
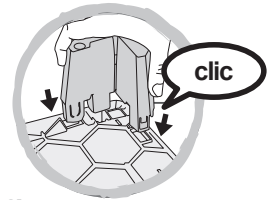
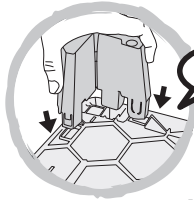


x 2

02



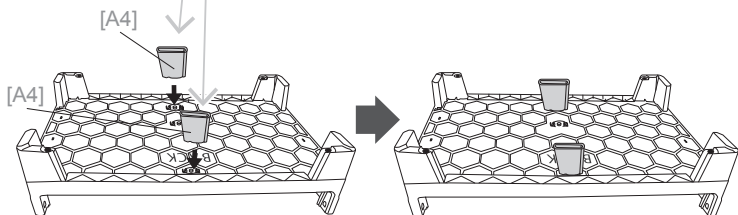
[A1] x 1



03



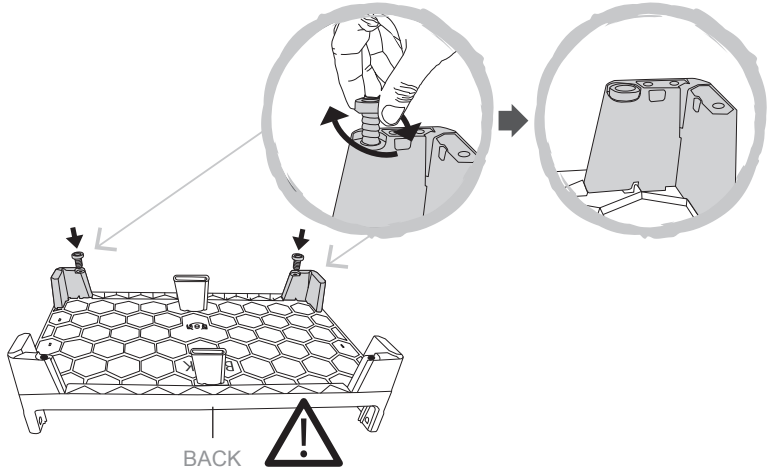
[A4] x 2



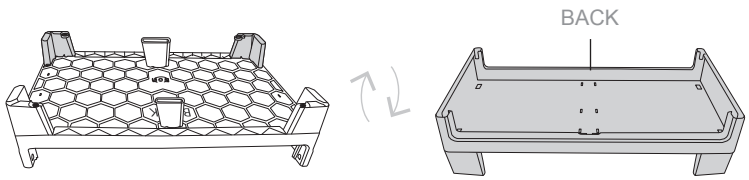
04



x 2



05



06



[A5] x 1



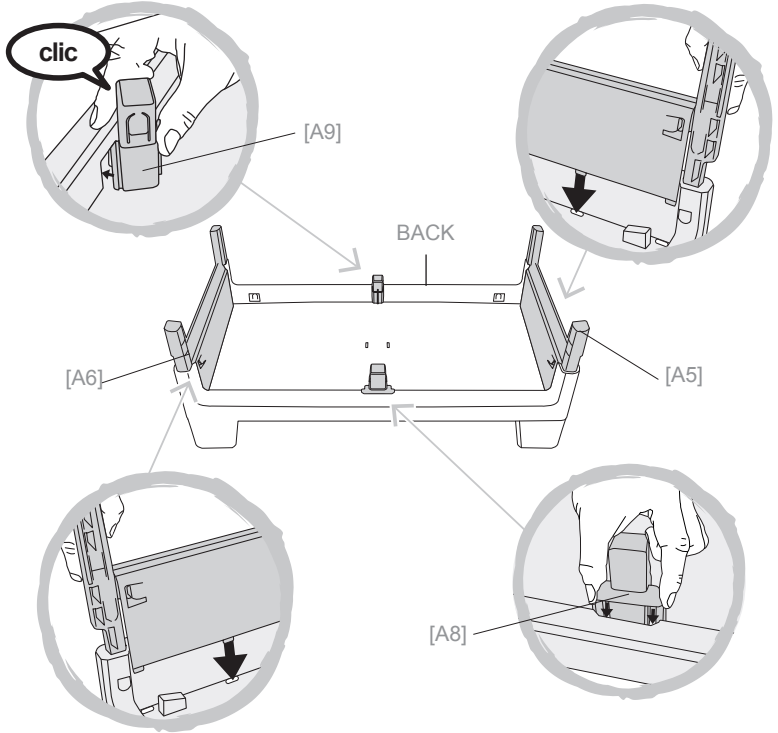
[A6] x 1



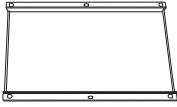
[A8] x 1



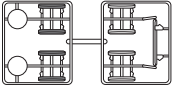
[A9] x 1



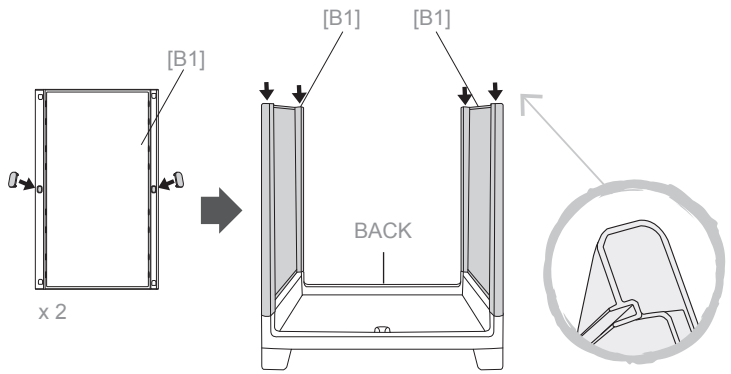
07



[B1] x 2



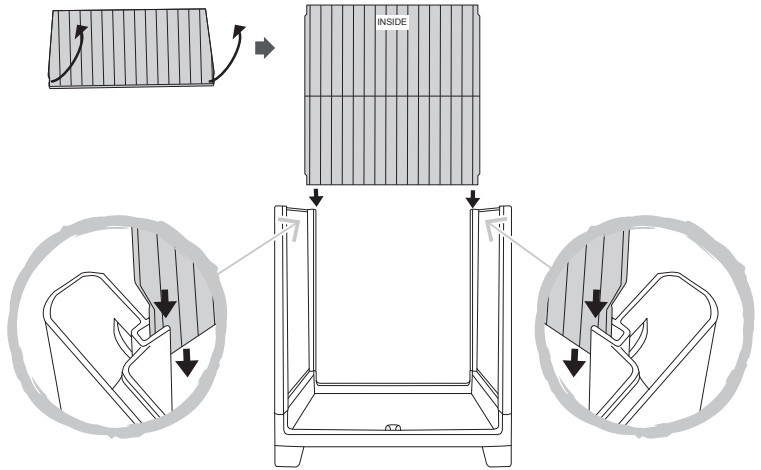
x 1



08



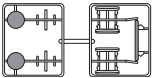
x 1



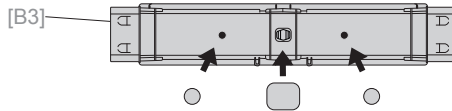
09



[B3] x 1



x 1



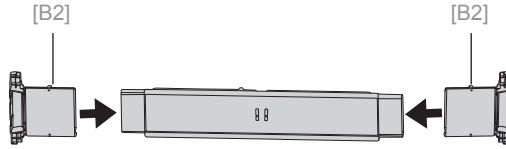
10



11



[B2] x 2



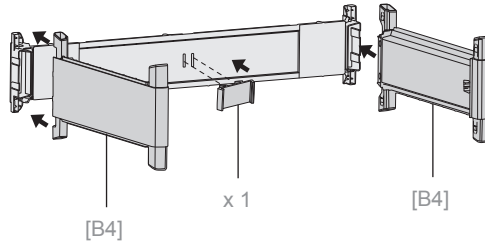
12



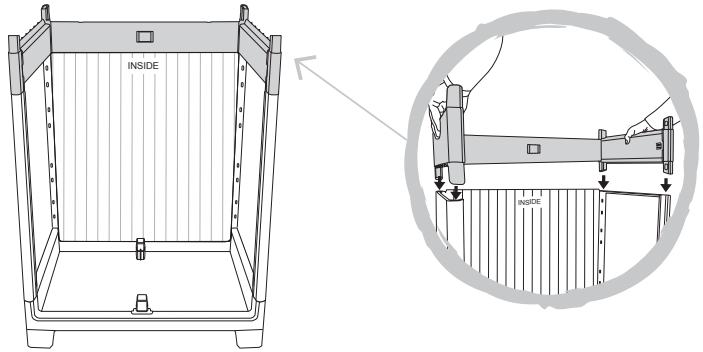
x 1



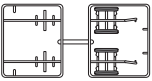
[B4] x 2



13



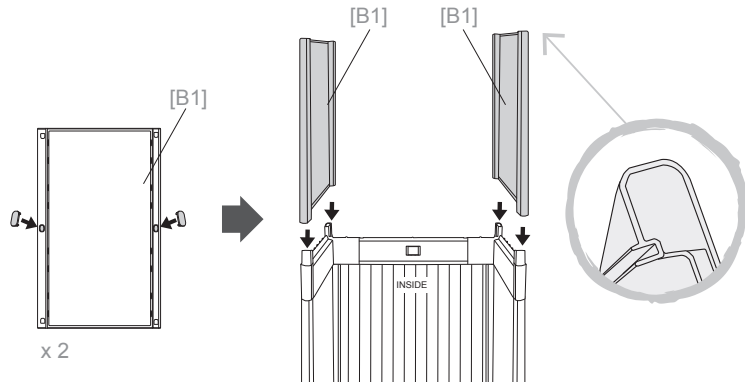
14



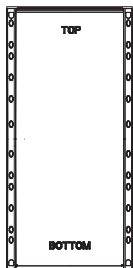
x 1



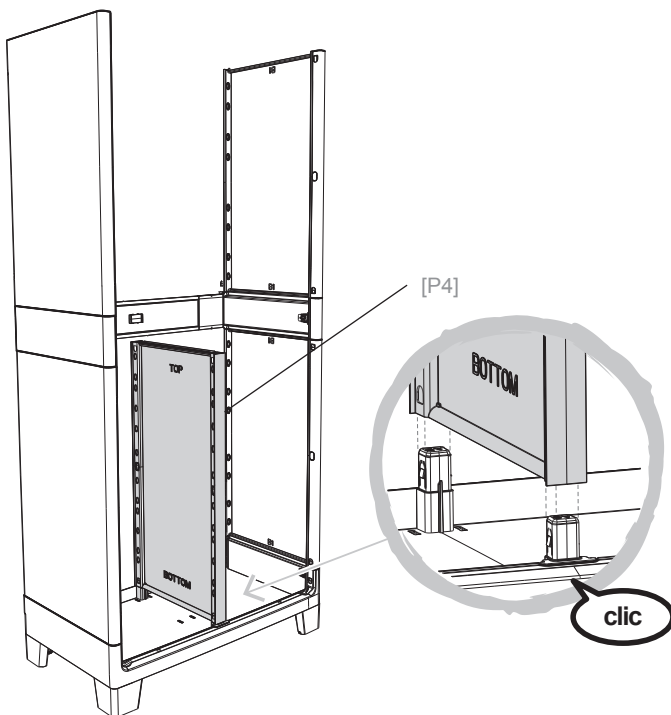
[B1] x 2



15



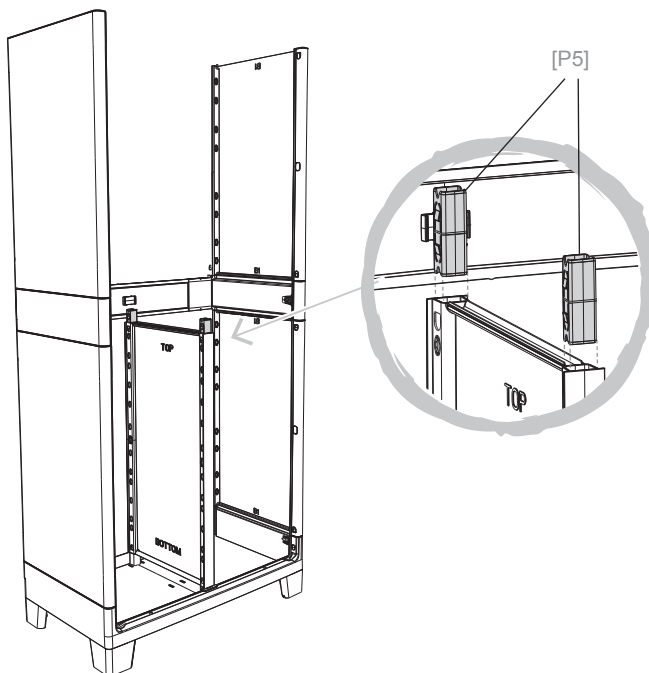
[P4] x 1



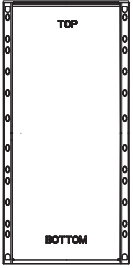
16



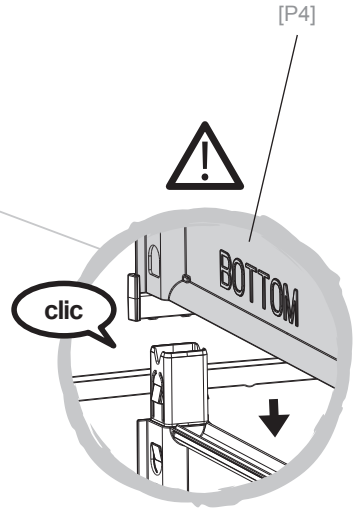
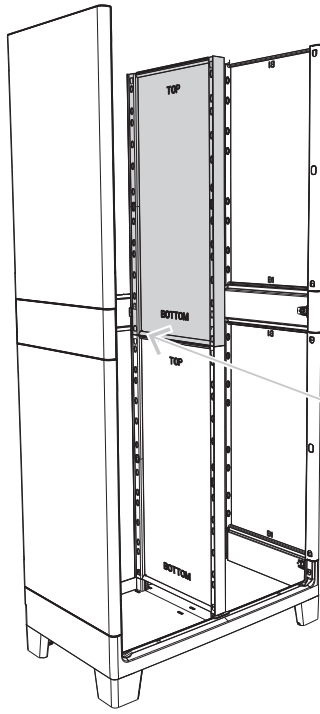
[P5] x 2



17



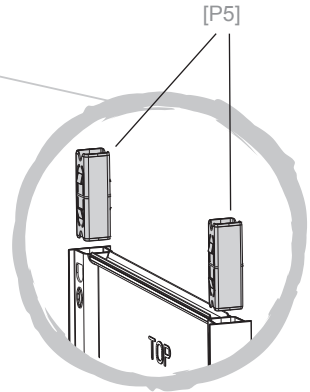
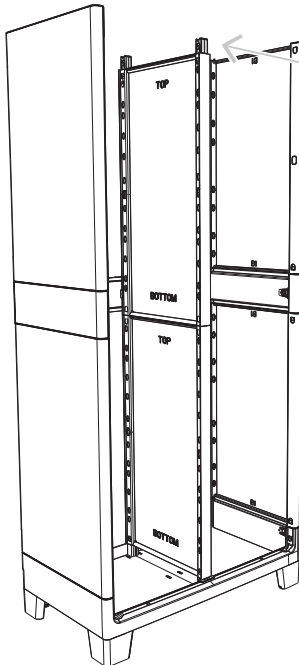
[P4] x 1



18



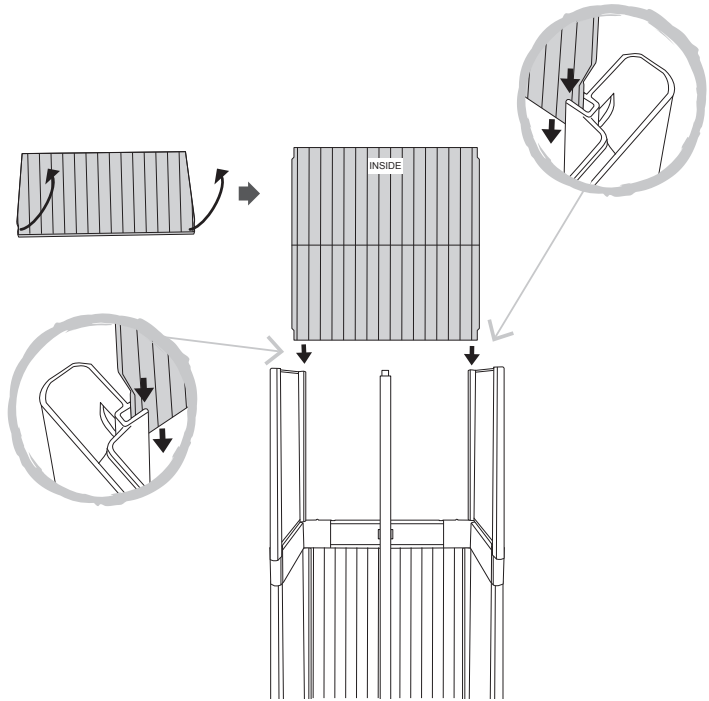
[P5] x 2



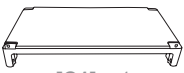
19



x 1



20



[C1] x 1



[C2] x 1



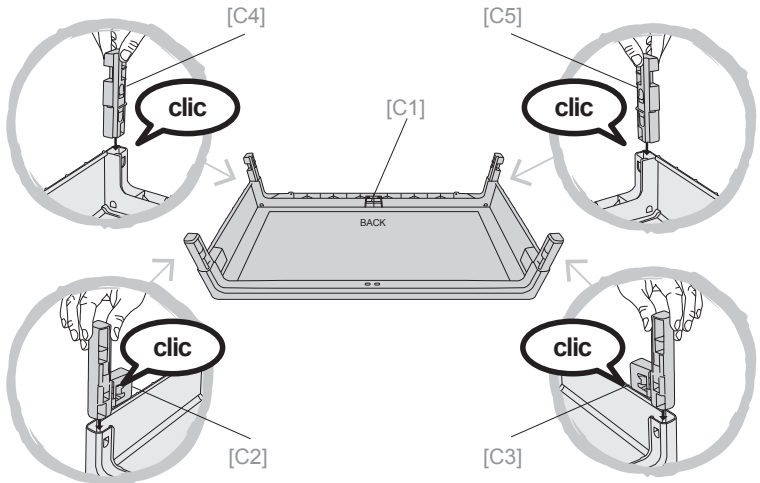
[C3] x 1



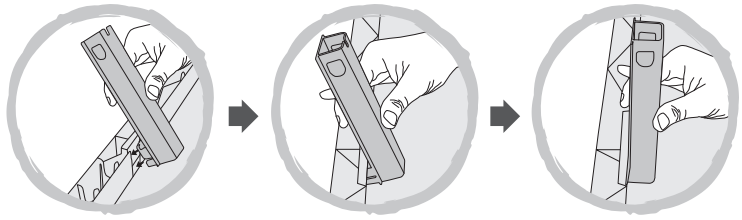
[C4] x 1



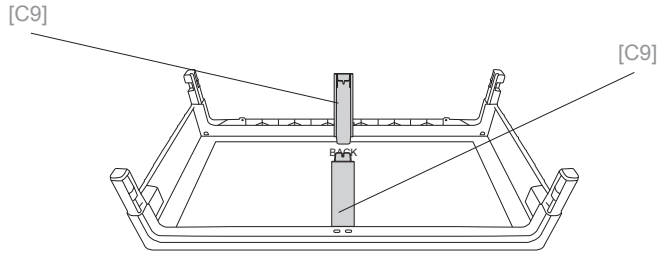
[C5] x 1



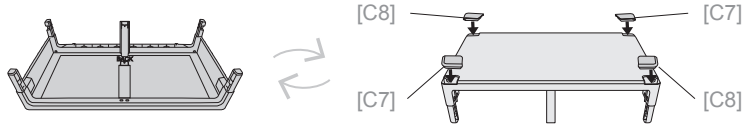
21



[C9] x 2



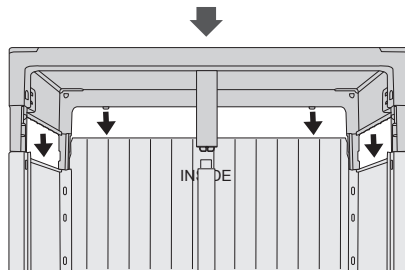
22



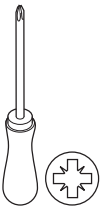
[C7] x 2



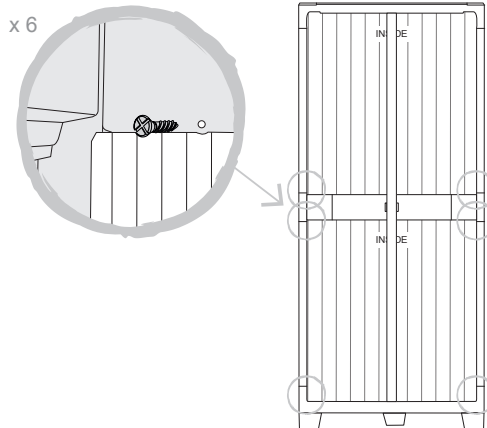
[C8] x 2

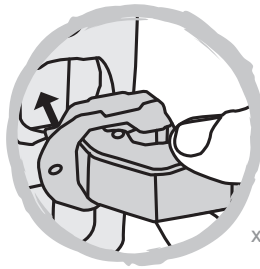


23

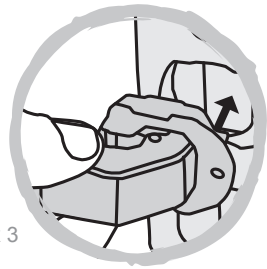


[4,2X22] x 6

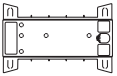




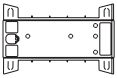
x 3



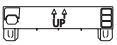
x 3



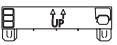
[D3] x 1



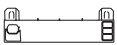
[D4] x 1



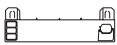
[D5] x 1



[D7] x 1



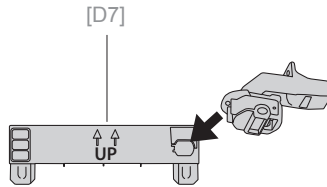
[D6] x 1



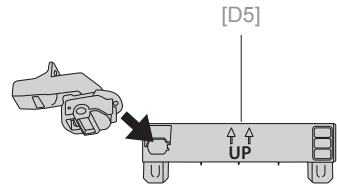
[D8] x 1



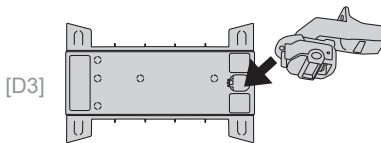
x 6



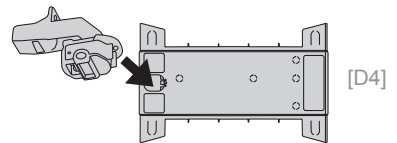
[D7]



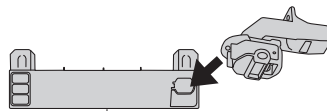
[D5]



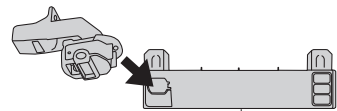
[D3]



[D4]



[D8]



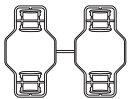
[D6]



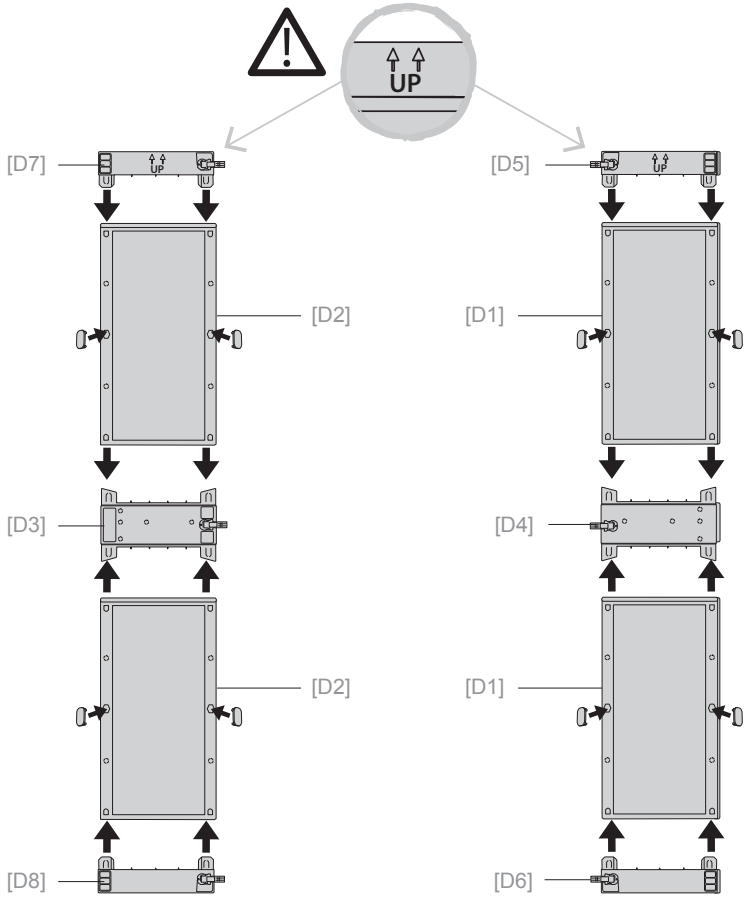
[D1] x 2



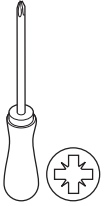
[D2] x 2



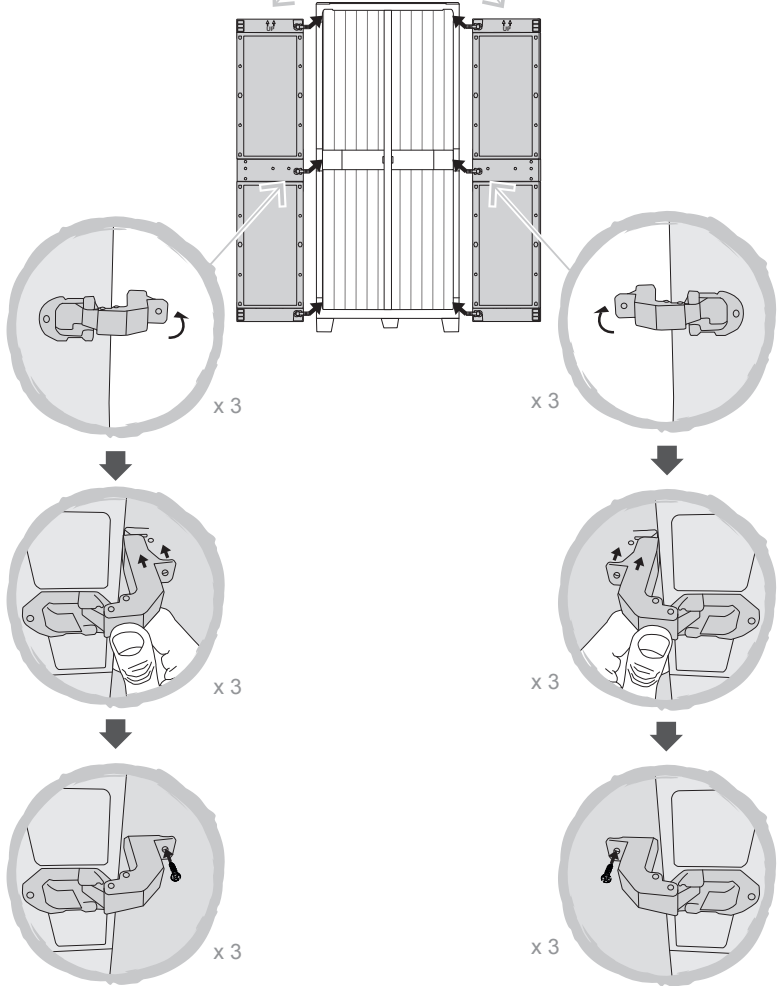
x 1



26



[4,2X22] x 6



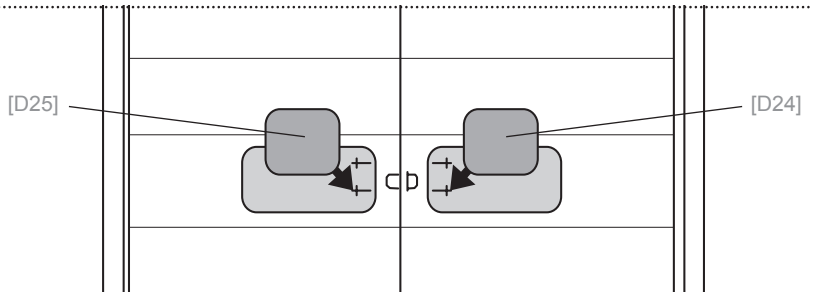
27

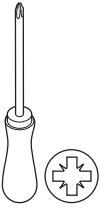


[D24] x 1



[D25] x 1





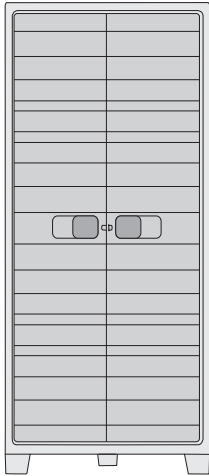
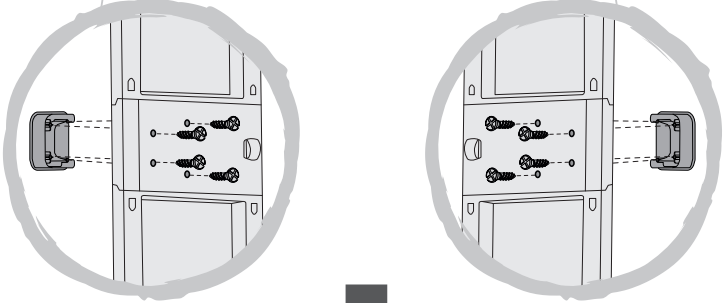
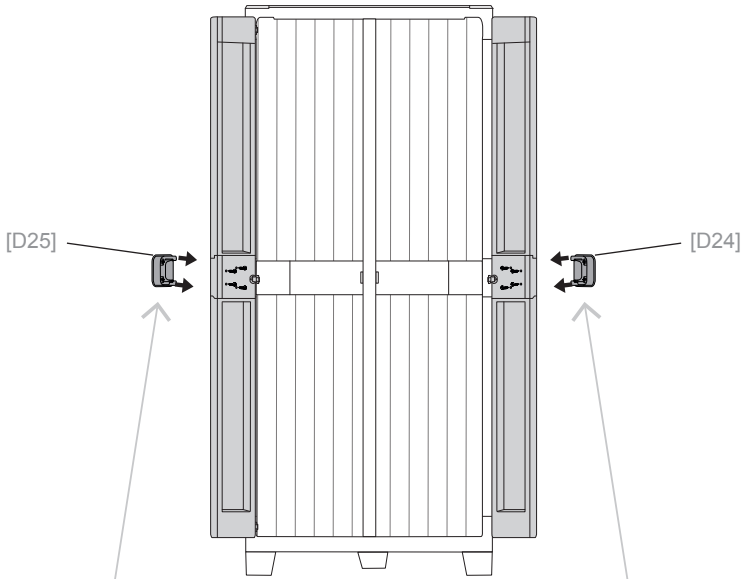
[4,2X22] x 8



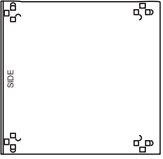
[D24] x 1



[D25] x 1



29



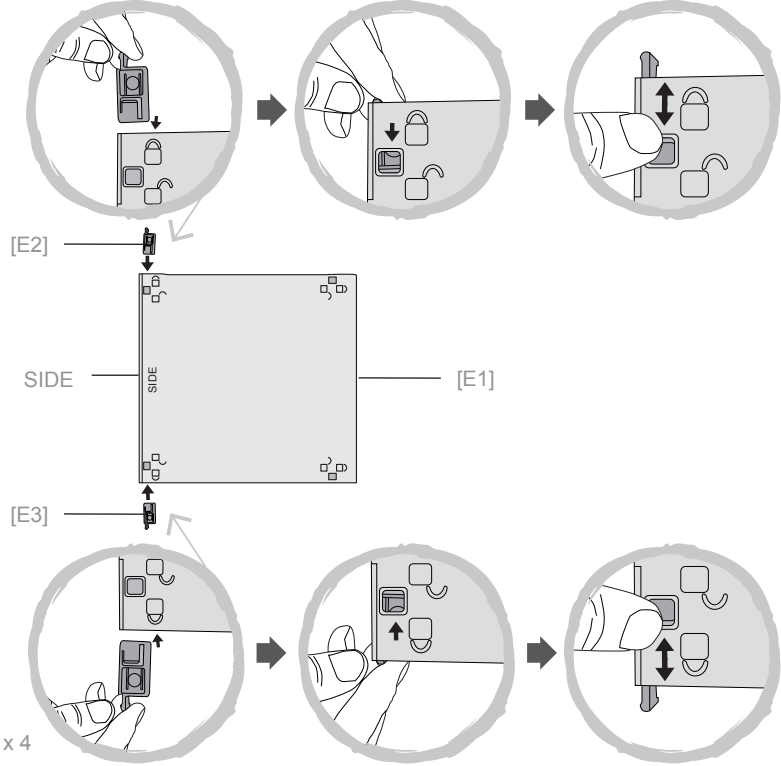
[E1] x 4



[E2] x 4



[E3] x 4



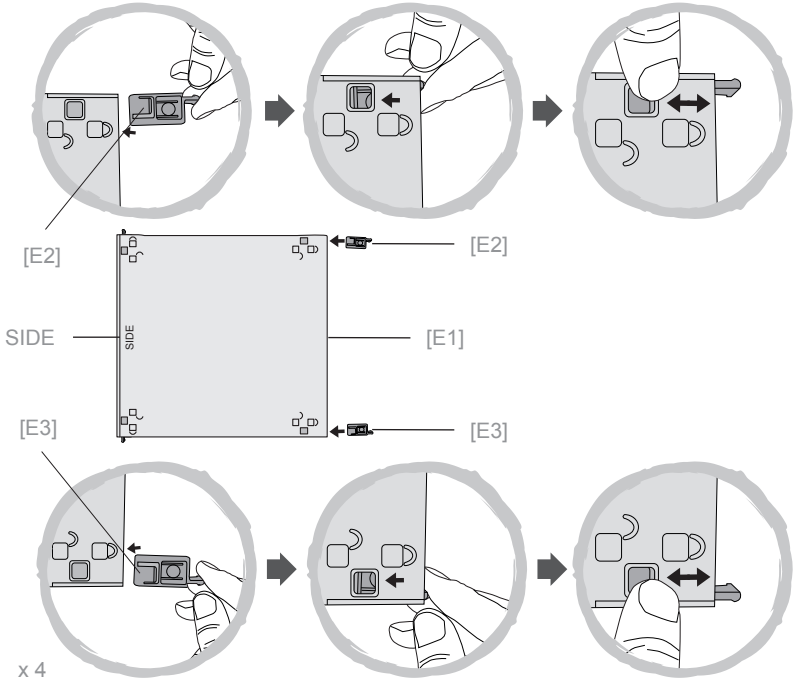
30

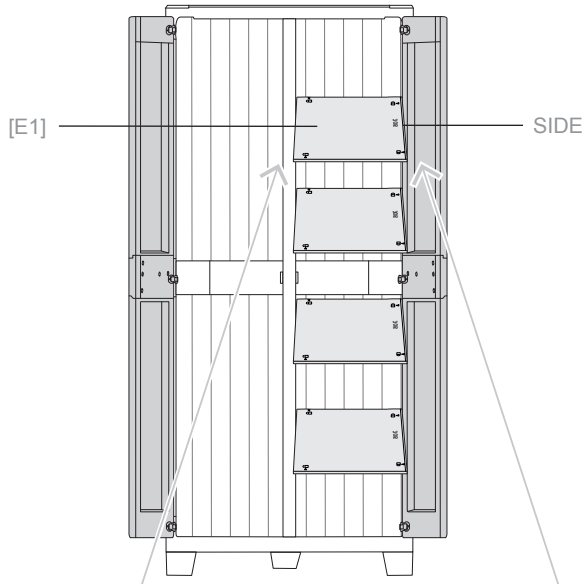


[E2] x 4

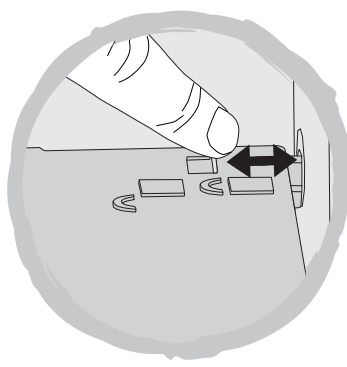
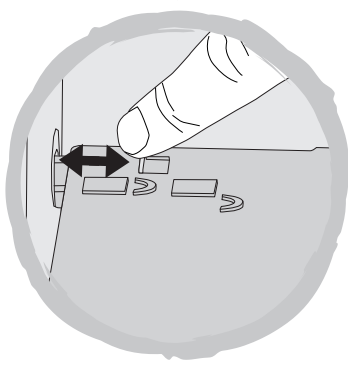
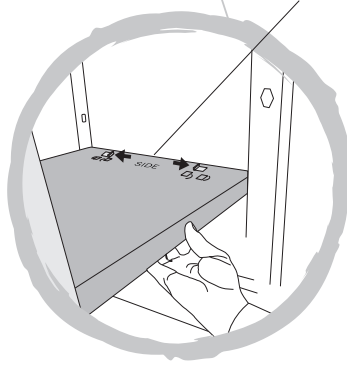


[E3] x 4

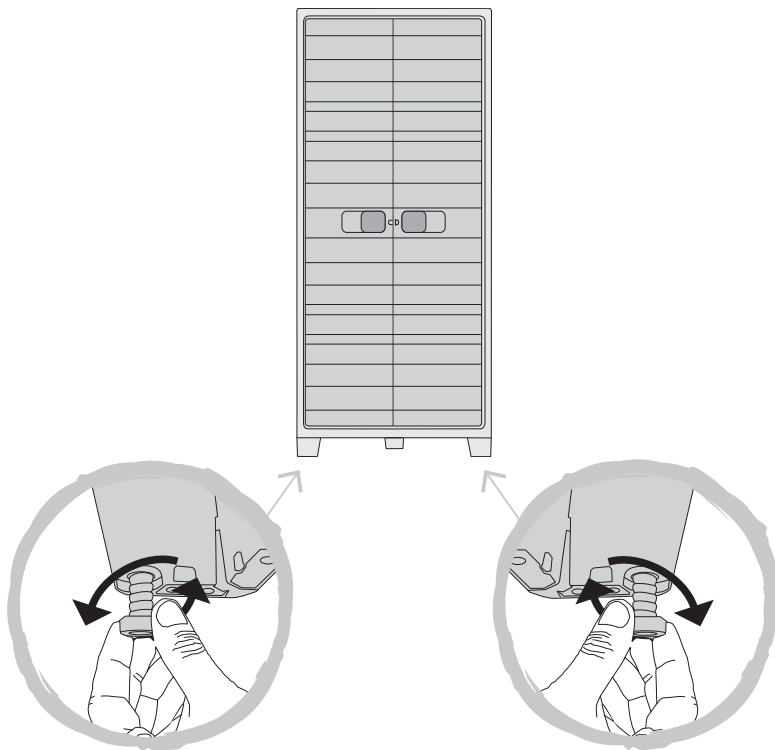




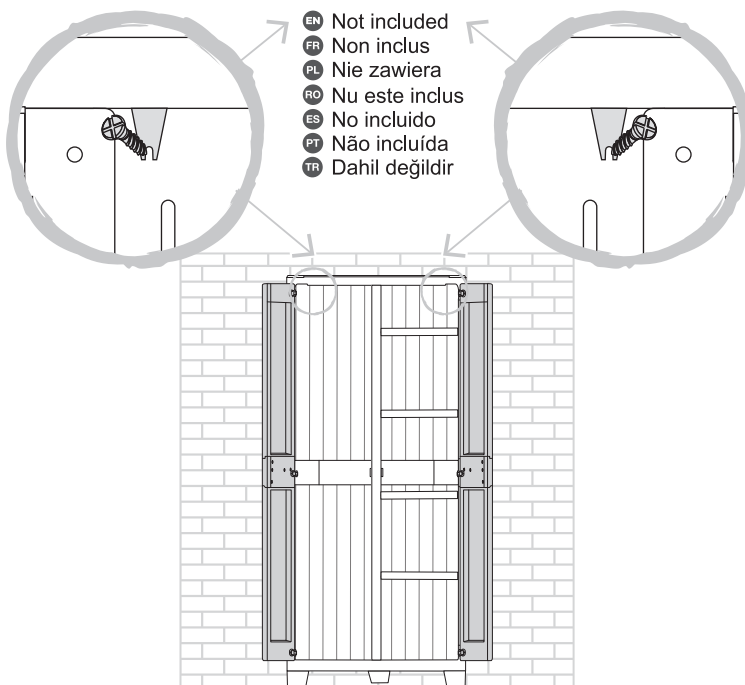
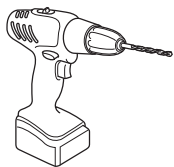
SIDE



32



33



Kingfisher International Products Limited,
3 Sheldon Square, London, W2 6PX,
United Kingdom

EN

Distributor:

B&Q plc, Chandlers Ford, Hants, SO53 3LE
United Kingdom www.diy.com
SFD Limited, Trade House, Mead Avenue,
Yeovil, BA22 8RT, United Kingdom

**Manufacturer, Fabricant, Hersteller,
Producator, Fabricante:**

Kingfisher International Products Limited,
3 Sheldon Square, London, W2 6PX,
United Kingdom

FR

Distributeur:

Castorama France C.S. 50101 Templemars
59637 Wattignies CEDEX www.castorama.fr

BRICO DÉPÔT 30-32 rue de la Tourelle
91310 Longpont-sur-Orge France
www.bricodepot.com

PL

Dystrybutor:

Castorama Polska Sp. z o.o.
ul. Krakowiaków 78, 02-255 Warszawa
www.castorama.pl

DE

Screwfix Direct Limited Mühlheimer
Straße 15363075 Offenbach/Main
www.screwfix.de

RUS

Импортер:

ООО "Касторама РУС" Дербеневская наб.,
дом 7, стр 8 Россия, Москва, 115114
www.castorama.ru

Изготовитель для России:

ABM Italia S.p.A.
Адрес
Via Taliercio, 2 - 31024 Ormelle (TV)

RO

Distribuitor:

SC Bricostore România SA Calea Giulești
1-3, Sector 6, București România
www.bricodepot.ro

ES

Distribuidor:

Euro Depot España, S.A.U. c/ La Selva,
10 - Edificio Inblau A 1a Planta 08820-El
Prat de Llobregat www.bricodepot.es

PT

Distribuidor:

Brico Depot Portugal SA Rua Castilho,
5 - 1 esquerdo, sala 13 1250-066 Lisboa
www.bricodepot.pt

TR

İthalatçı Firma:

KOÇTAŞ YAPI MARKETLERİ TİC. A.Ş.
Taşdelen Mah. Sırrı Çelik Bulvarı No:5
34788 Taşdelen/Çekmeköy/İSTANBUL
Tel: +90 216 4300300
Faks: +90 216 4844313
www.koctas.com.tr

Yetkili servis istasyonları ve yedek parça
temini için aşağıda yer alan Koçtaş Müşteri
Hattı ve Koçtaş Genel Müdürlük irtibat
bilgilerinden faydalanınız.

KOÇTAŞ MÜŞTERİ HİZMETLERİ

0850 209 50 50