

3663602991663

# Major



**EN** **IMPORTANT** - Please read carefully the separate safety guide before use.

**FR** **IMPORTANT** - Lire attentivement le guide de sécurité séparé avant utilisation.

**PL** **WAŻNE** - Przed użyciem proszę dokładnie zapoznać się z instrukcją bezpieczeństwa.

**DE** **WICHTIG** - Bitte lesen sie die separaten sicherheitsanweisungen vor gebrauch.

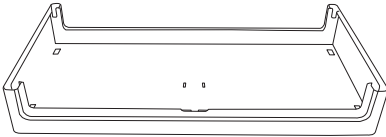
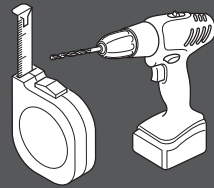
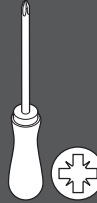
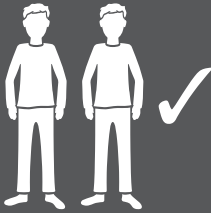
**RU** **ВАЖНО** - Пожалуйста, внимательно прочитайте отдельное руководство по технике безопасности перед использованием.

**RO** **IMPORTANT** - Va rugăm să citiți cu atenție ghidul de siguranță separat înainte de utilizare.

**ES** **IMPORTANTE** - Lea atentamente la guía de seguridad separado antes de utilizar.

**PT** **IMPORTANTE** - Leia atentamente o guia de segurança separado antes de usar.

**TR** **ÖNEMLİ** - Kullanmadan önce emniyet kurallarını lütfen dikkatle okuyun.



[A1] x 1



[A7] x 1



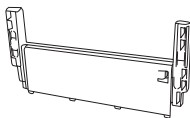
[A2] x 2



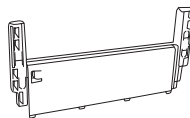
[A3] x 2



[A4] x 1



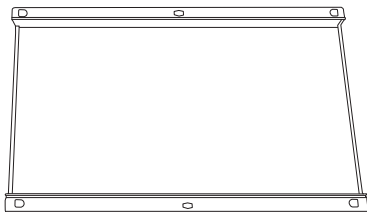
[A5] x 1



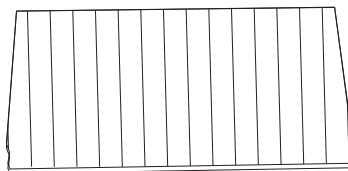
[A6] x 1



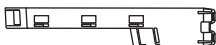
x 2



[B1] x 2



x 1



[C10] x 1



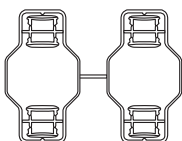
[C11] x 1



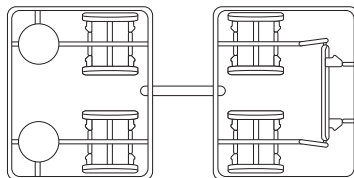
[4,2X22] x 14



x 2



x 1





[C2] x 1



[C7] x 2



[C3] x 1



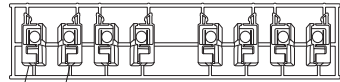
[C8] x 2



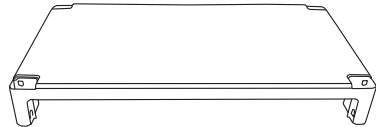
[D1] x 1



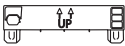
[D2] x 1



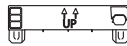
[E3] [E2]



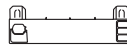
[C1] x 1



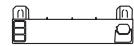
[D12] x 1



[D13] x 1



[D6] x 1



[D8] x 1



[C4] x 1



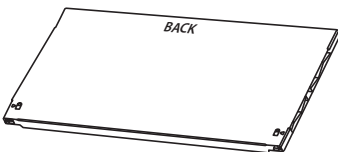
[C5] x 1



[D26] x 1



[D27] x 1



[E1] x 2



x 4



x 4



EN Assembly    FR Assemblage    PL Montaż    DE Montage    RU Сборка  
RO Asamblare    ES Montaje    PT Montagem    TR Kurulum

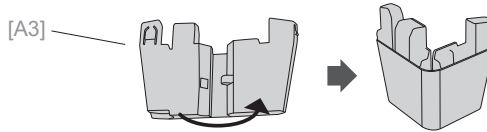
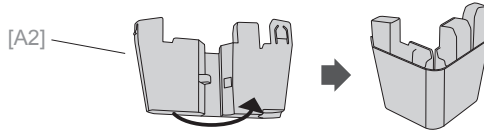
01



[A2] x 1



[A3] x 1

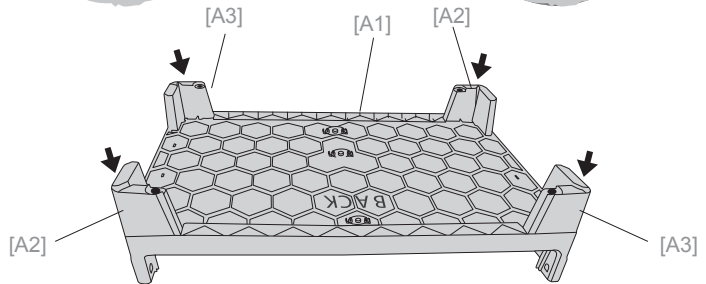


x 2

02



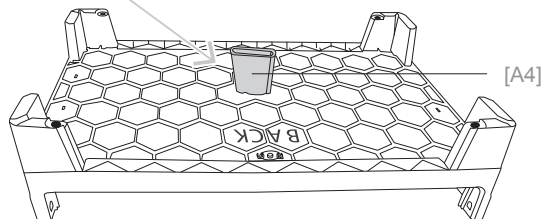
[A1] x 1



03



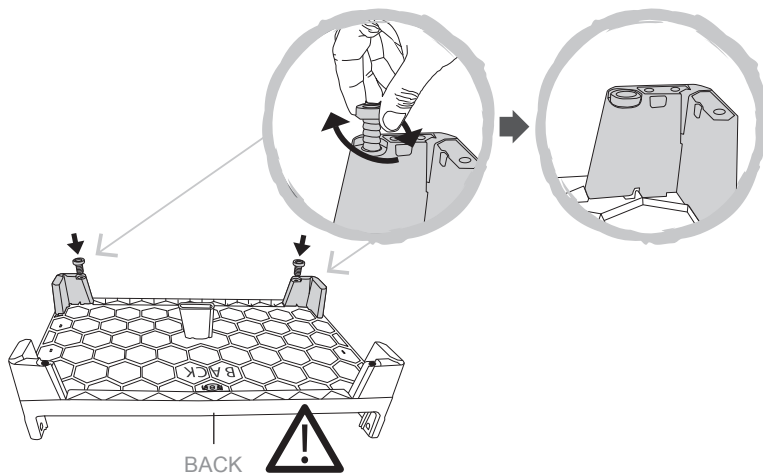
[A4] x 1



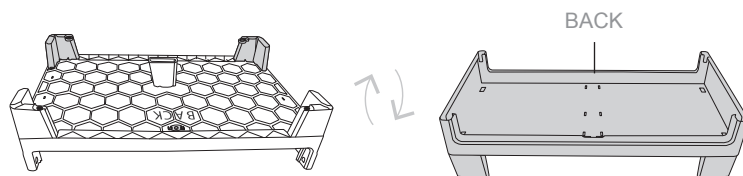
# 04



x 2



# 05



# 06



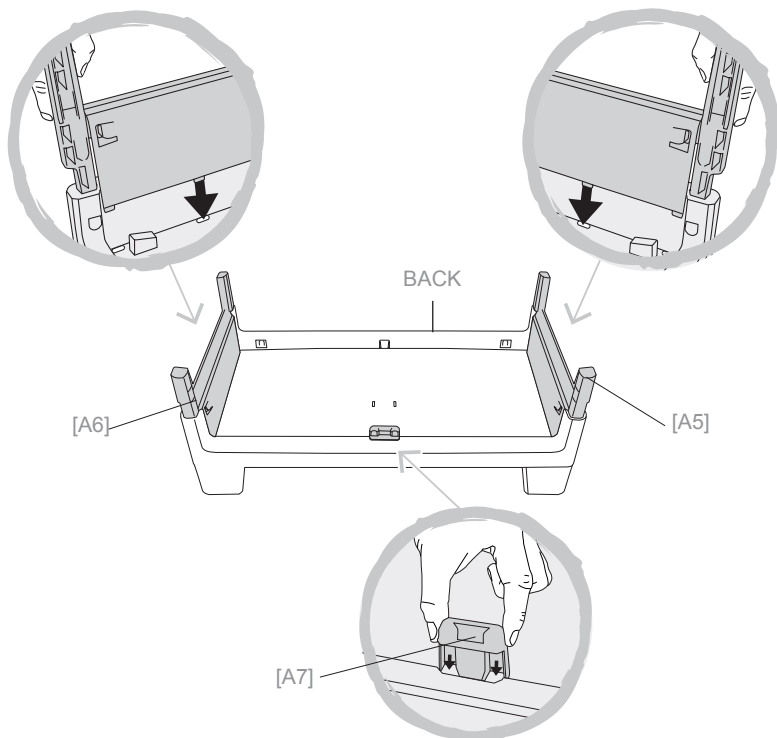
[A5] x 1



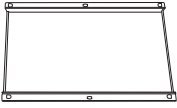
[A6] x 1



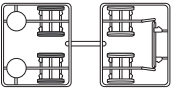
[A7] x 1



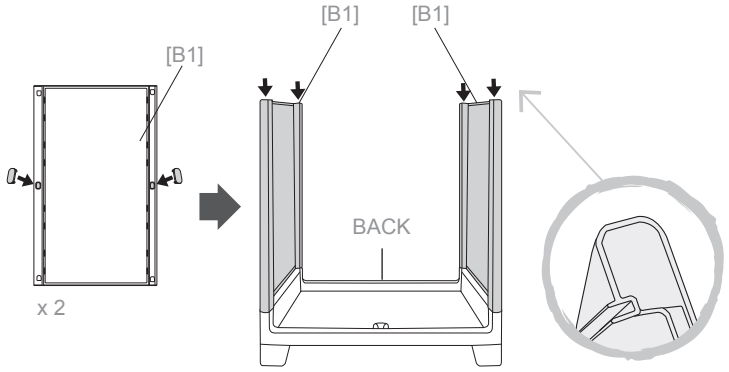
# 07



[B1] x 2



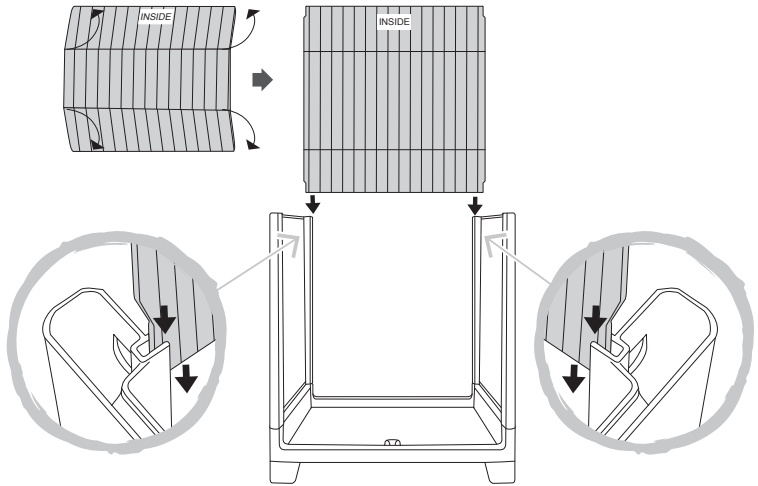
x 1



# 08



x 1



09



[C1] x 1



[C2] x 1



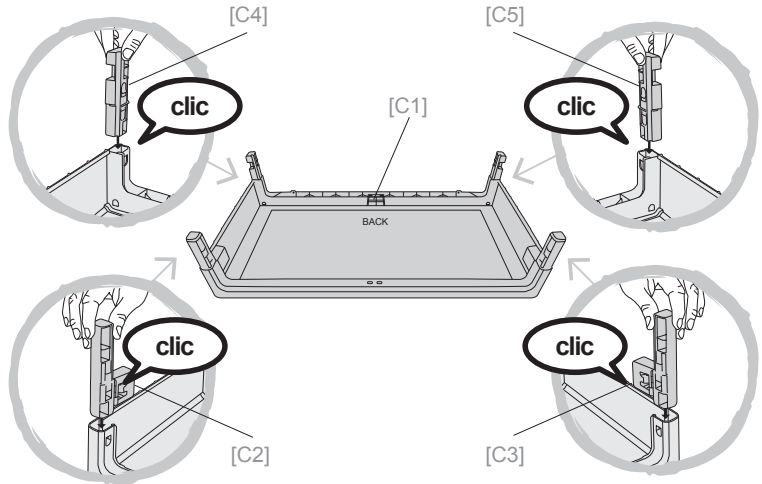
[C3] x 1



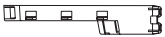
[C4] x 1



[C5] x 1



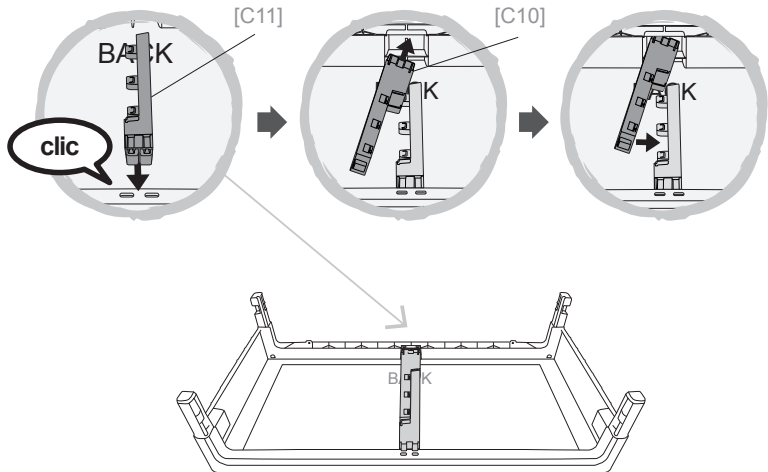
10



[C10] x 1



[C11] x 1





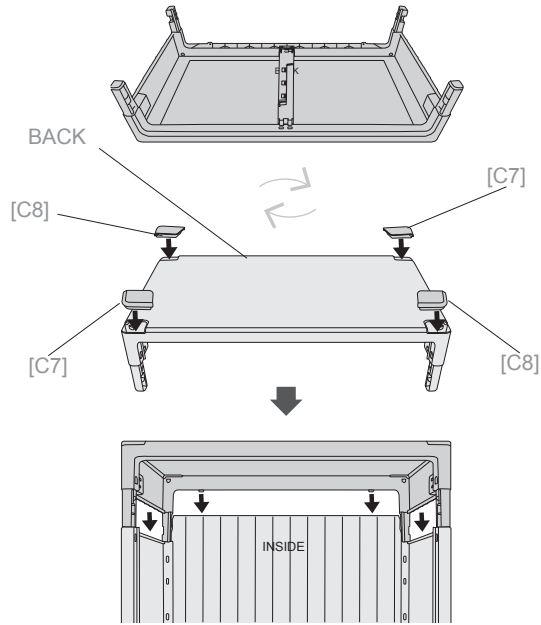
# 11



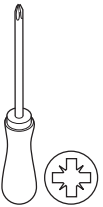
[C7] x 2



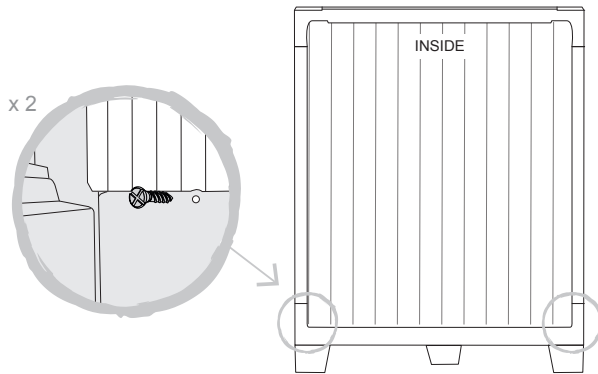
[C8] x 2



# 12



[4,2X22] x 2



# 13



[D12] x 1



[D13] x 1



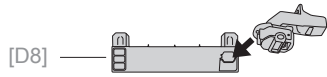
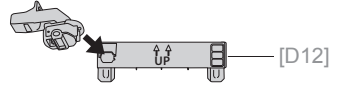
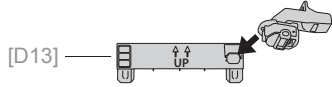
[D6] x 1



[D8] x 1



x 4



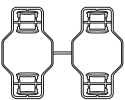
# 14



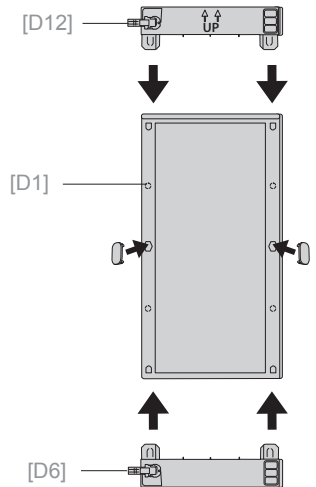
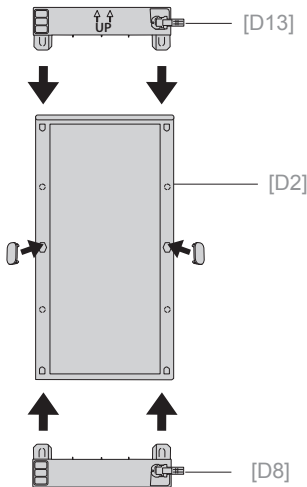
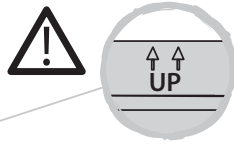
[D1] x 1

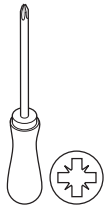


[D2] x 1

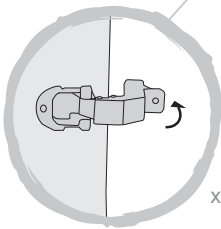
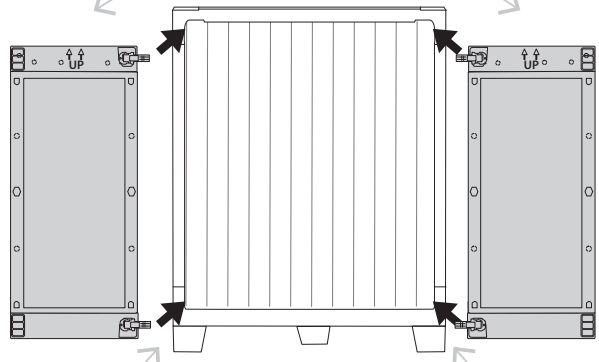


x 1

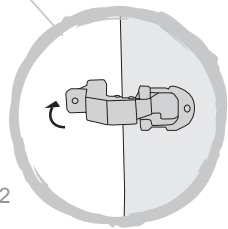




[4,2X22] x 4



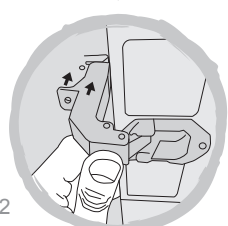
x 2



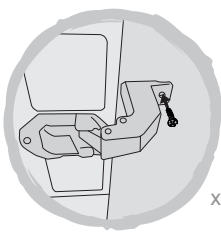
x 2



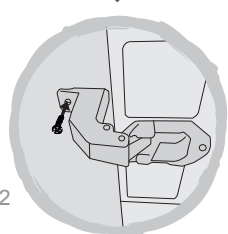
x 2



x 2

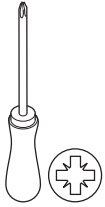
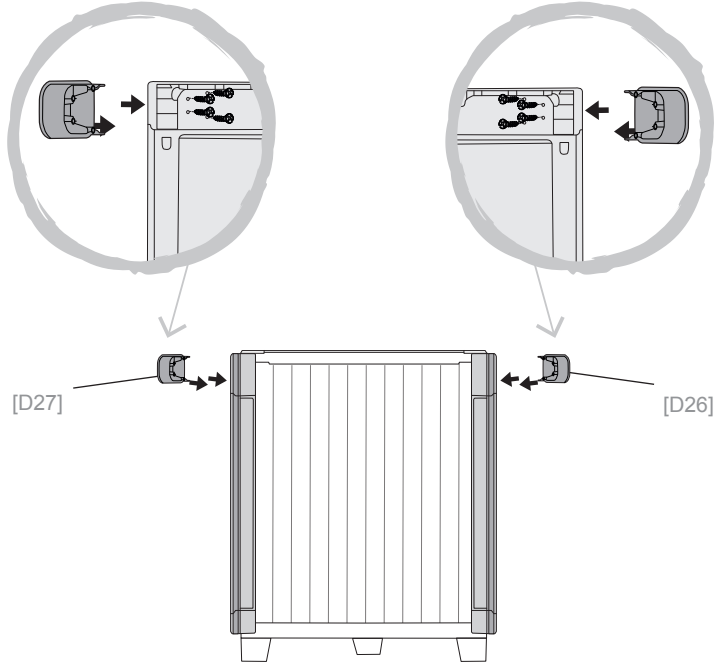


x 2



x 2

# 16



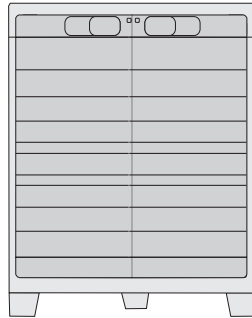
[4,2X22] x 8



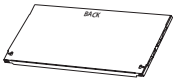
[D26] x 1



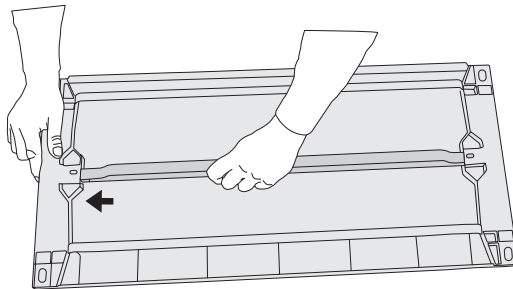
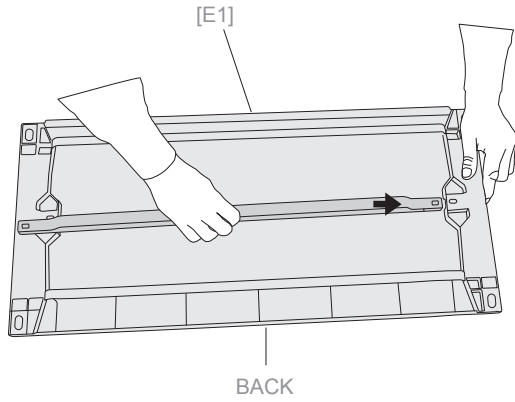
[D27] x 1



# 17

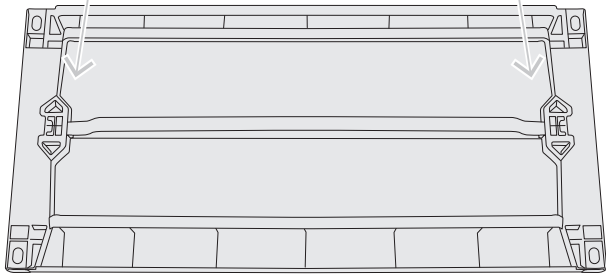
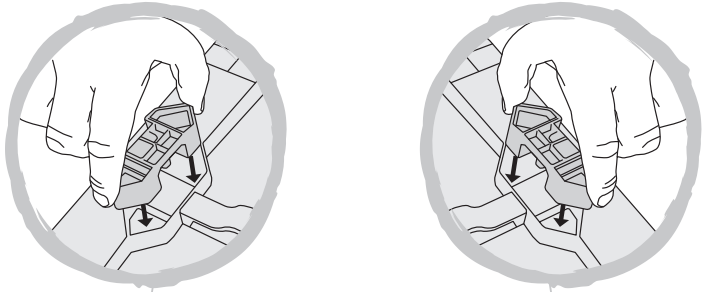


[E1] x 2





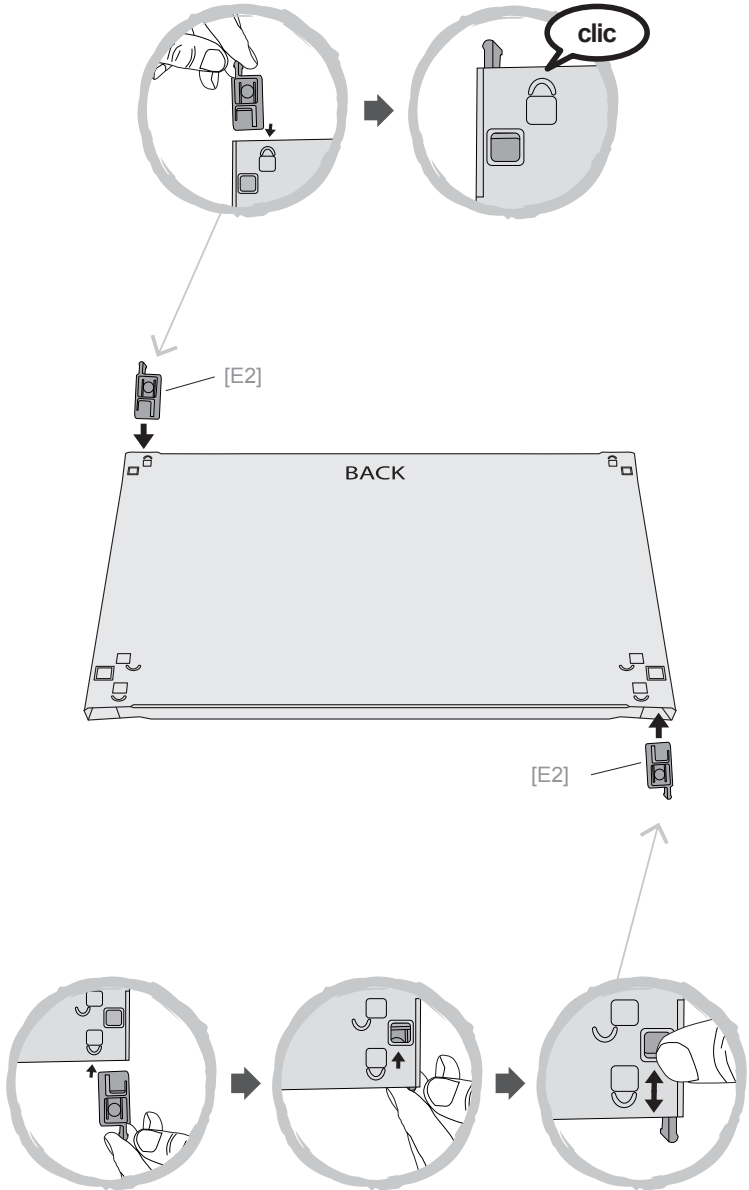
x 4



BACK

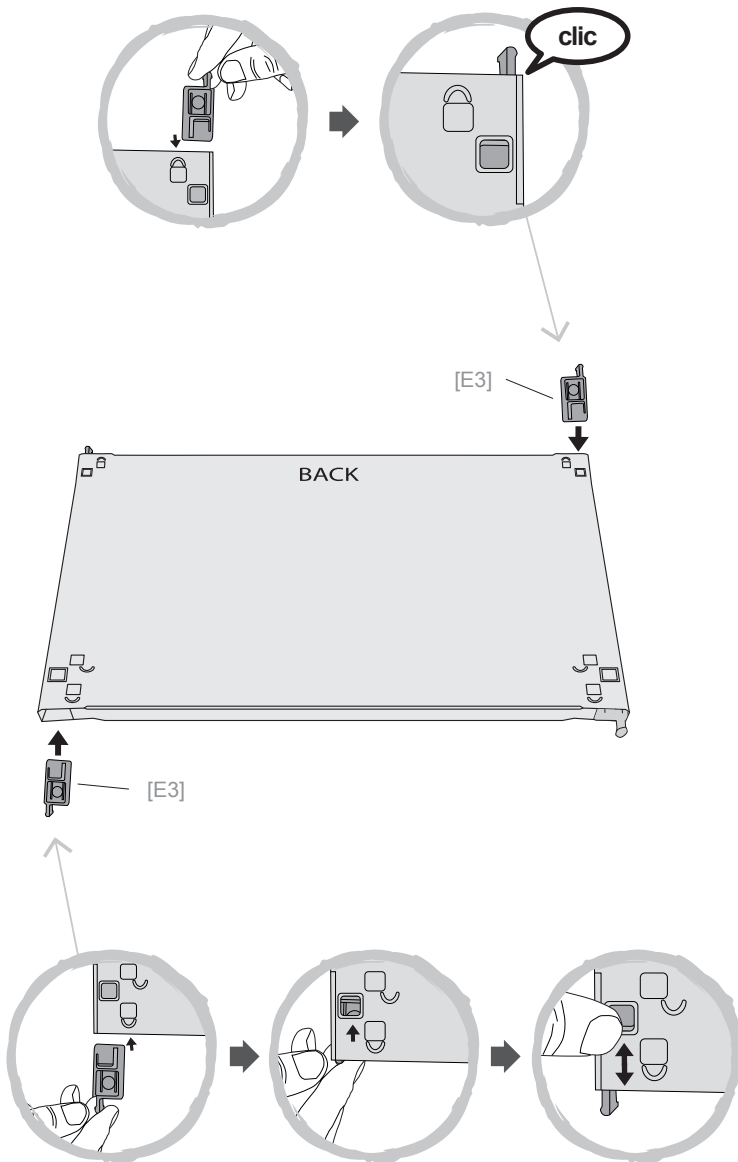


[E2] x 4

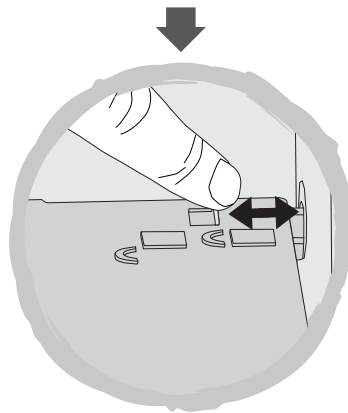
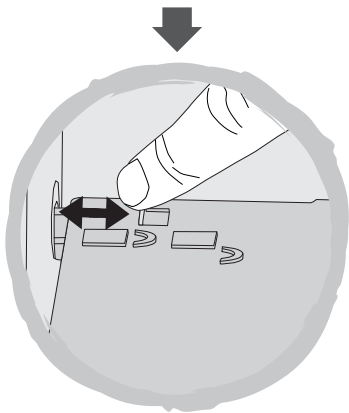
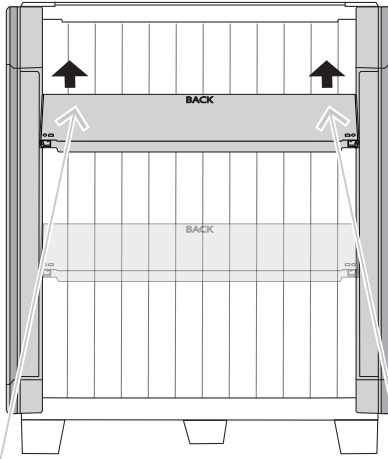


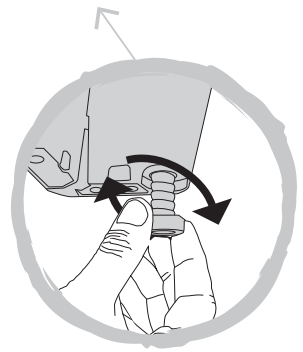
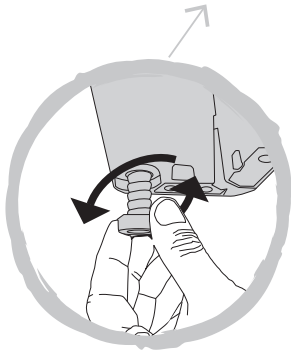
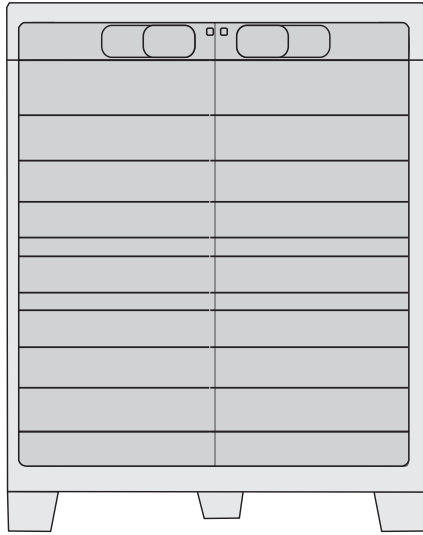


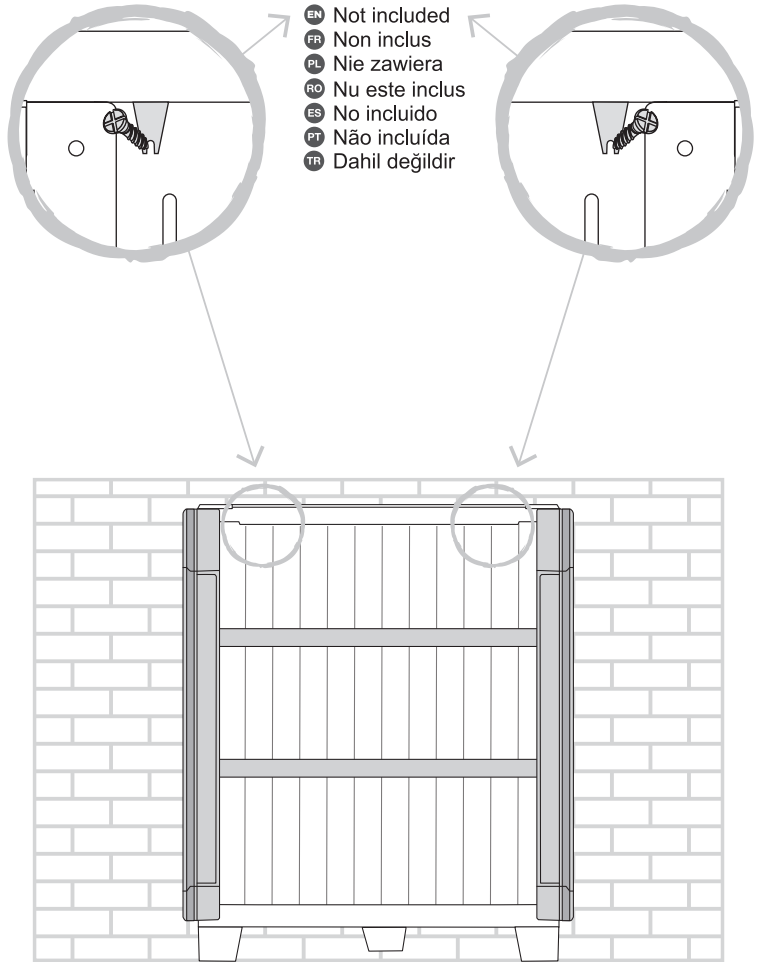
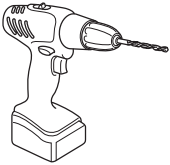
[E3] x 4











Kingfisher International Products Limited,  
3 Sheldon Square, London, W2 6PX,  
United Kingdom

EN

**Distributor:**

B&Q plc, Chandlers Ford, Hants, SO53 3LE  
United Kingdom [www.diy.com](http://www.diy.com)  
SFD Limited, Trade House, Mead Avenue,  
Yeovil, BA22 8RT, United Kingdom

**Manufacturer, Fabricant, Hersteller,  
Producator, Fabricante:**

Kingfisher International Products Limited,  
3 Sheldon Square, London, W2 6PX,  
United Kingdom

FR

**Distributeur:**

Castorama France C.S. 50101 Templemars  
59637 Wattignies CEDEX [www.castorama.fr](http://www.castorama.fr)

BRICO DÉPÔT 30-32 rue de la Tourelle  
91310 Longpont-sur-Orge France  
[www.bricodepot.com](http://www.bricodepot.com)

PL

**Dystrybutor:**

Castorama Polska Sp. z o.o.  
ul. Krakowiaków 78, 02-255 Warszawa  
[www.castorama.pl](http://www.castorama.pl)

DE

Screwfix Direct Limited Mühlheimer  
Straße 15363075 Offenbach/Main  
[www.screwfix.de](http://www.screwfix.de)

RUS

**Импортер:**

ООО "Касторама РУС" Дербеневская наб.,  
дом 7, стр 8 Россия, Москва, 115114  
[www.castorama.ru](http://www.castorama.ru)

**Изготовитель для России:**

ABM Italia S.p.A.  
Адрес  
Via Taliercio, 2 - 31024 Ormelle (TV)

RO

**Distribuitor:**

SC Bricostore România SA Calea Giulești  
1-3, Sector 6, București România  
[www.bricodepot.ro](http://www.bricodepot.ro)

ES

**Distribuidor:**

Euro Depot España, S.A.U. c/ La Selva,  
10 - Edificio Inblau A 1a Planta 08820-El  
Prat de Llobregat [www.bricodepot.es](http://www.bricodepot.es)

PT

**Distribuidor:**

Brico Depot Portugal SA Rua Castilho,  
5 - 1 esquerdo, sala 13 1250-066 Lisboa  
[www.bricodepot.pt](http://www.bricodepot.pt)

TR

**İthalatçı Firma:**

KOÇTAŞ YAPI MARKETLERİ TİC. A.Ş.  
Taşdelen Mah. Sırrı Çelik Bulvarı No:5  
34788 Taşdelen/Çekmeköy/İSTANBUL  
Tel: +90 216 4300300  
Faks: +90 216 4844313  
[www.koctas.com.tr](http://www.koctas.com.tr)

Yetkili servis istasyonları ve yedek parça  
temini için aşağıda yer alan Koçtaş Müşteri  
Hattı ve Koçtaş Genel Müdürlük irtibat  
bilgilerinden faydalanınız.

**KOÇTAŞ MÜŞTERİ HİZMETLERİ**

0850 209 50 50