


**DO NOT PRINT THIS PAGE -  
IT IS FOR INFORMATION ONLY**

**PLEASE NOTE THAT “SAFETY” AND “ASSEMBLY”  
MANUALS SHALL BE PRINTED SEPARATELY**

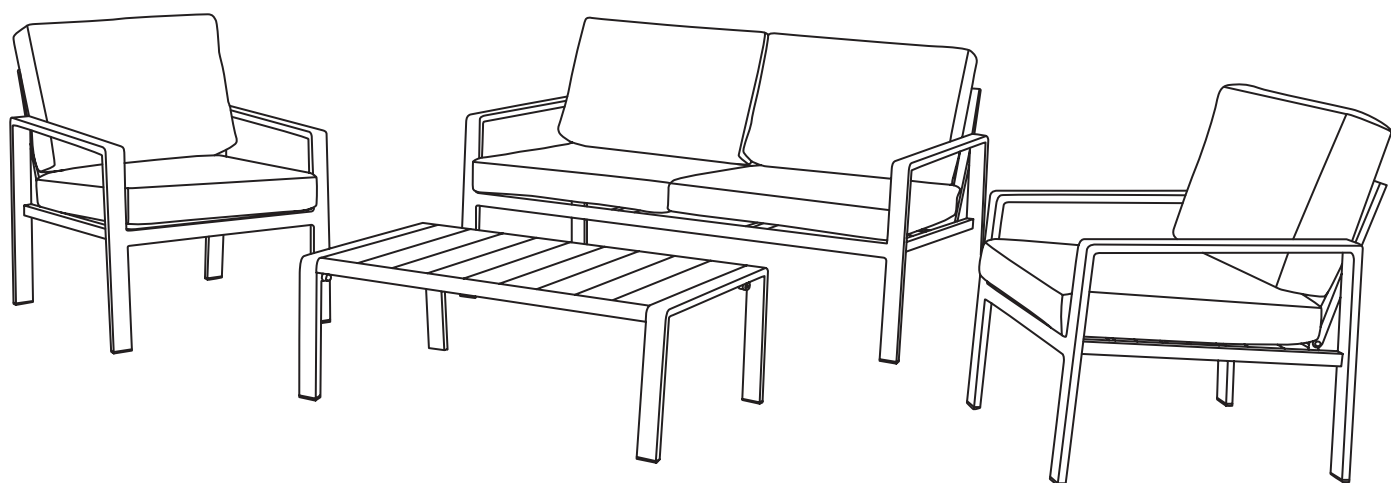
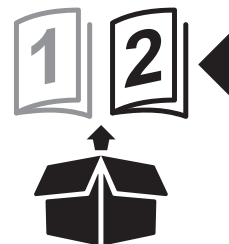


Artwork done by Impala Services Ltd  
info@impala-tech.com



SEPARATIONS	JOB INFO				
 <p>PROCESS BLACK</p>	PID #: 217797_s3_s4 Agency Job #: PRJ23048 Product Description: Santorin Coffee Set 4 People, Aluminium Sand Peyote [UK]		Brand: Brand Contact: Ronald Luo Barcode: 5059340353166 Vendor: Letright No. of New Line Drawings: 0 Page Size: A4 / No. of Pages: 0		
	VERSION #				
	<b>1</b> 31/08/21 Manisha	<b>2</b> 07/09/21 Manisha	<b>3</b> XX/XX/21 XXX	<b>4</b> XX/XX/21 XXX	<b>5</b> XX/XX/21 XXX
<p>This file is the property of Kingfisher Group Plc. No copying, alteration or amendment is permitted without written authorisation from the Kingfisher Brand Team.</p> <p>翠丰集团不会以专色(PMS)作参考，请参照已提供的印刷标准及Lab色彩数值生产以符合印刷品之标准。本文件的版权归翠丰集团所有。未经翠丰品牌团队的书面同意，不得对本文件进行复制、变更或修改。</p>					

# Moorea



**5059340124889 / 5059340124896**



EN Contents  
RO Cuprins  
TR İçindekiler

FR Contenu  
ES Contenido

PL Zawartość  
PT Conteúdo

**2**



## Installation

**4**

FR Installation  
PL Instalacja  
RO Instalare  
ES Instalación  
PT Instalação  
TR Kurulum

4  
4  
4  
4  
4  
4



## Care

**8**

FR Entretien  
PL Czyszczenie  
RO Îngrijire  
ES Cuidados  
PT Cuidados  
TR Bakım

8  
8  
8  
8  
8  
8



**EN** IMPORTANT - Please read carefully the separate safety guide before use.

**FR** IMPORTANT - Lire attentivement le guide de sécurité séparé avant utilisation.

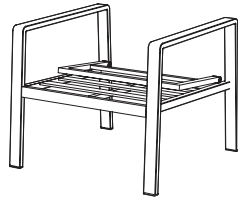
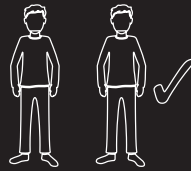
**PL** WAŻNE - Przed użyciem proszę dokładnie zapoznać się z instrukcją bezpieczeństwa.

**RO** IMPORTANT - Vă rugăm să citiți cu atenție ghidul de siguranță separat înainte de utilizare.

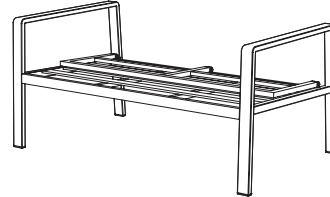
**ES** IMPORTANTE - Lea atentamente la guía de seguridad separado antes de utilizar.

**PT** IMPORTANTE - Leia atentamente o guia de segurança separado antes de usar.

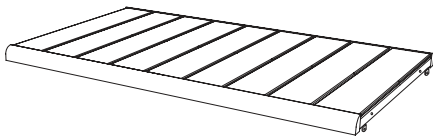
**TR** ÖNEMLİ - Kullanmadan önce emniyet kurallarını lütfen dikkatle okuyun.



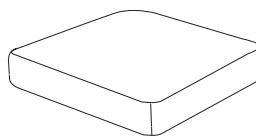
[01] x 2



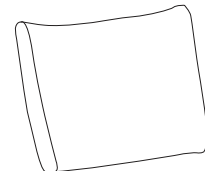
[02] x 1



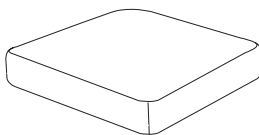
[03] x 1



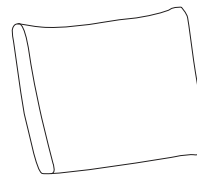
[4A] x 2  
(55 x 61 x 11 cm)



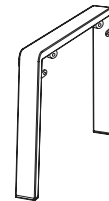
[5A] x 2  
(55 x 42 x 14 cm)



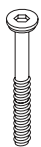
[4B] x 2  
(65 x 61 x 11 cm)



[5B] x 2  
(65 x 42 x 14 cm)



[06] x 2



[07] x 6  
(M6 x 50 mm)



[08] x 4  
(M6 x 40 mm)



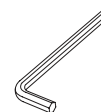
[09] x 4  
(M6 x 25 mm)



[10] x 14



[11] x 14

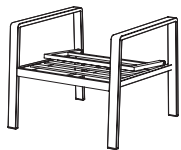


[12] x 1

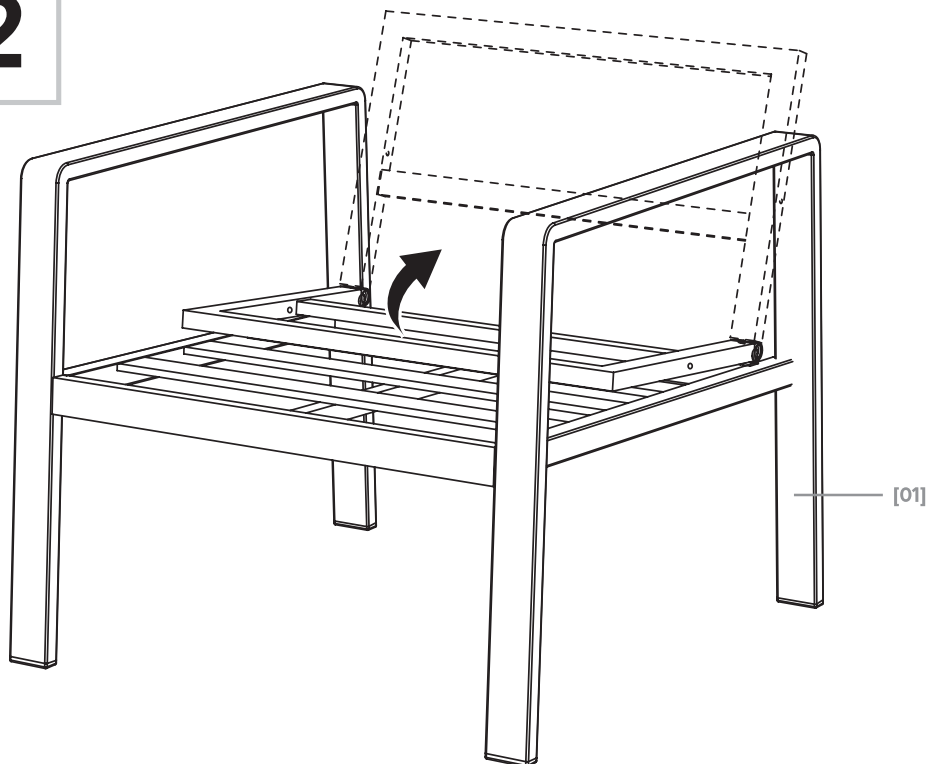


01

x 2

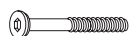


[01] x 2



02

x 2



[07] x 4



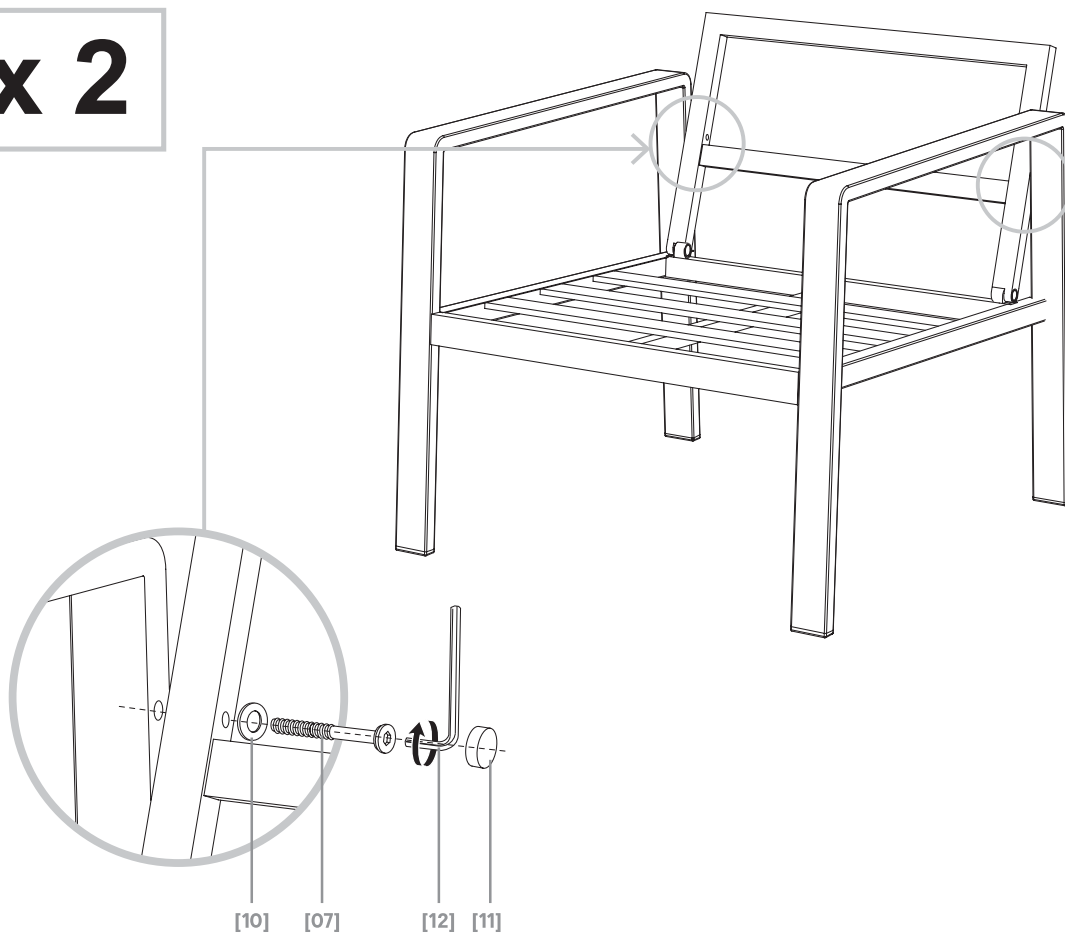
[10] x 4



[11] x 4



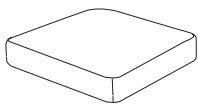
[12] x 1



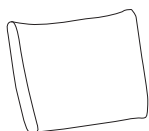


# 03

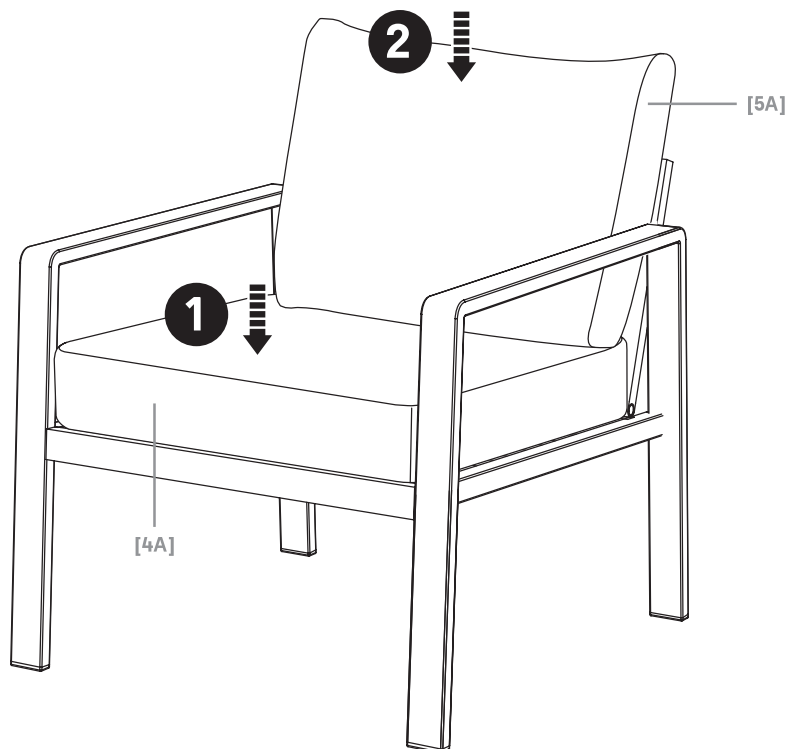
x 2



[4A] x 2



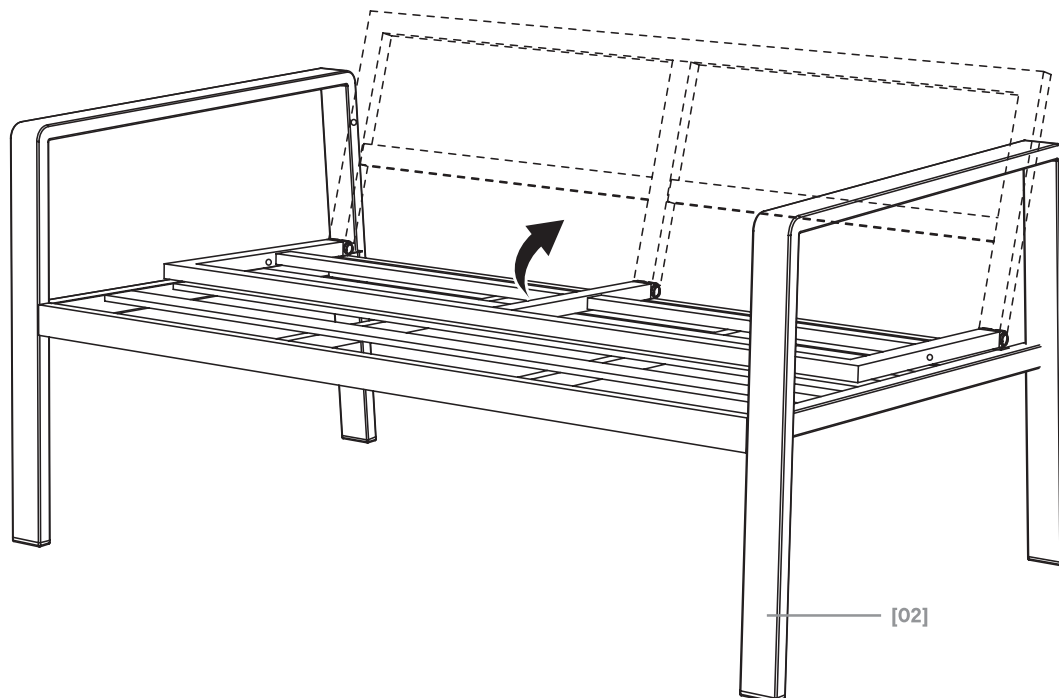
[5A] x 2



# 04



[02] x 1



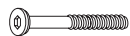


EN Installation  
RO Instalare  
TR Kurulum

FR Installation  
ES Instalación

PL Instalacja  
PT Instalação

# 05



[07] x 2



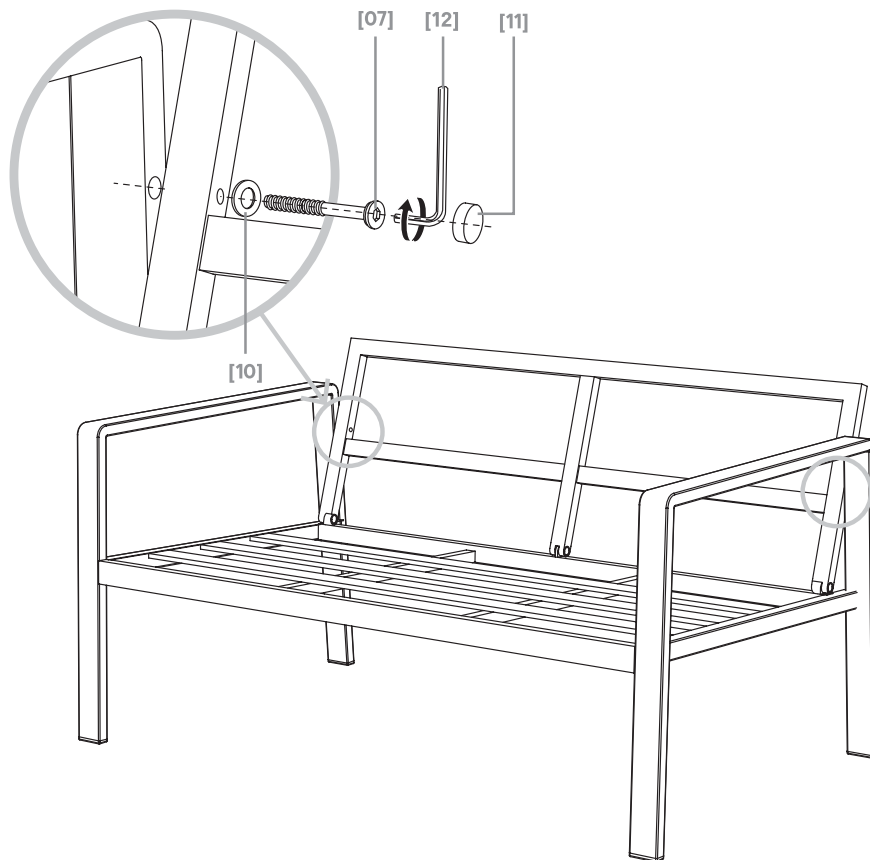
[10] x 2



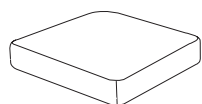
[11] x 2



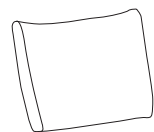
[12] x 1



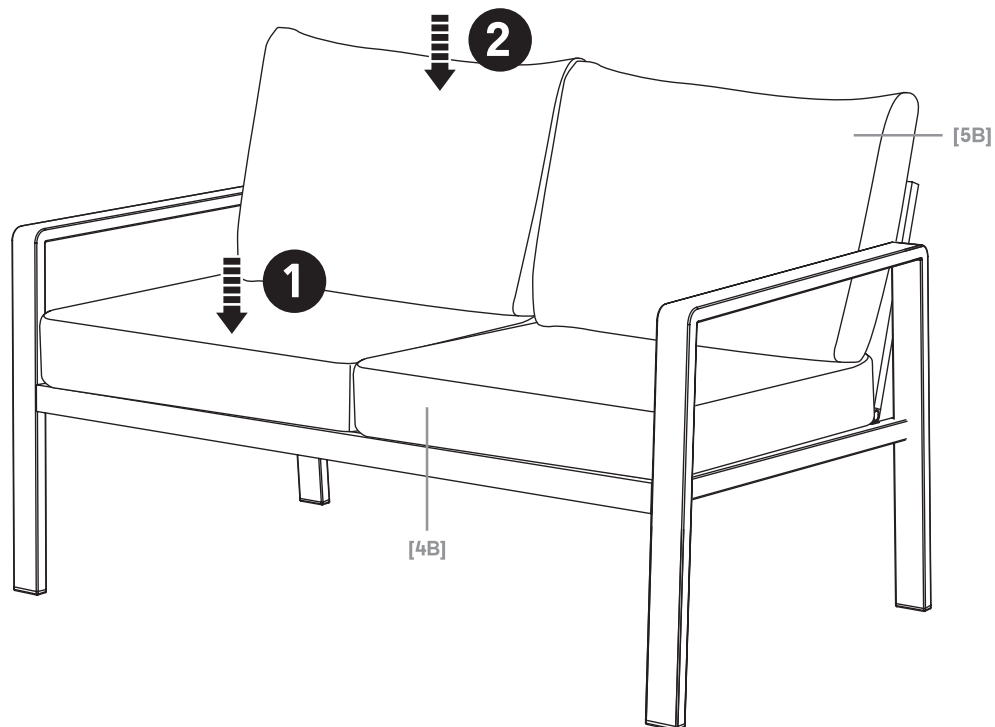
# 06



[4B] x 2



[5B] x 2



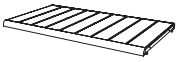


EN Installation  
RO Instalare  
TR Kurulum

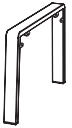
FR Installation  
ES Instalación

PL Instalacja  
PT Instalação

# 07



[03] x 1



[06] x 2



[08] x 4



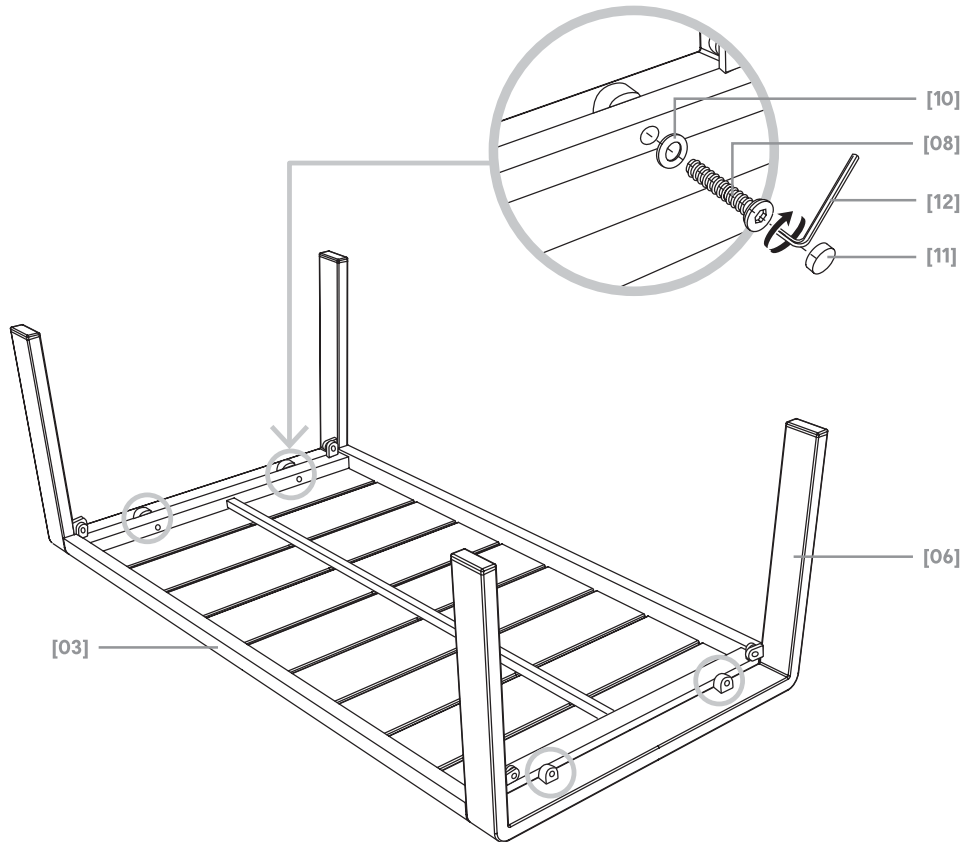
[10] x 4



[11] x 4



[12] x 1



# 08



[09] x 4



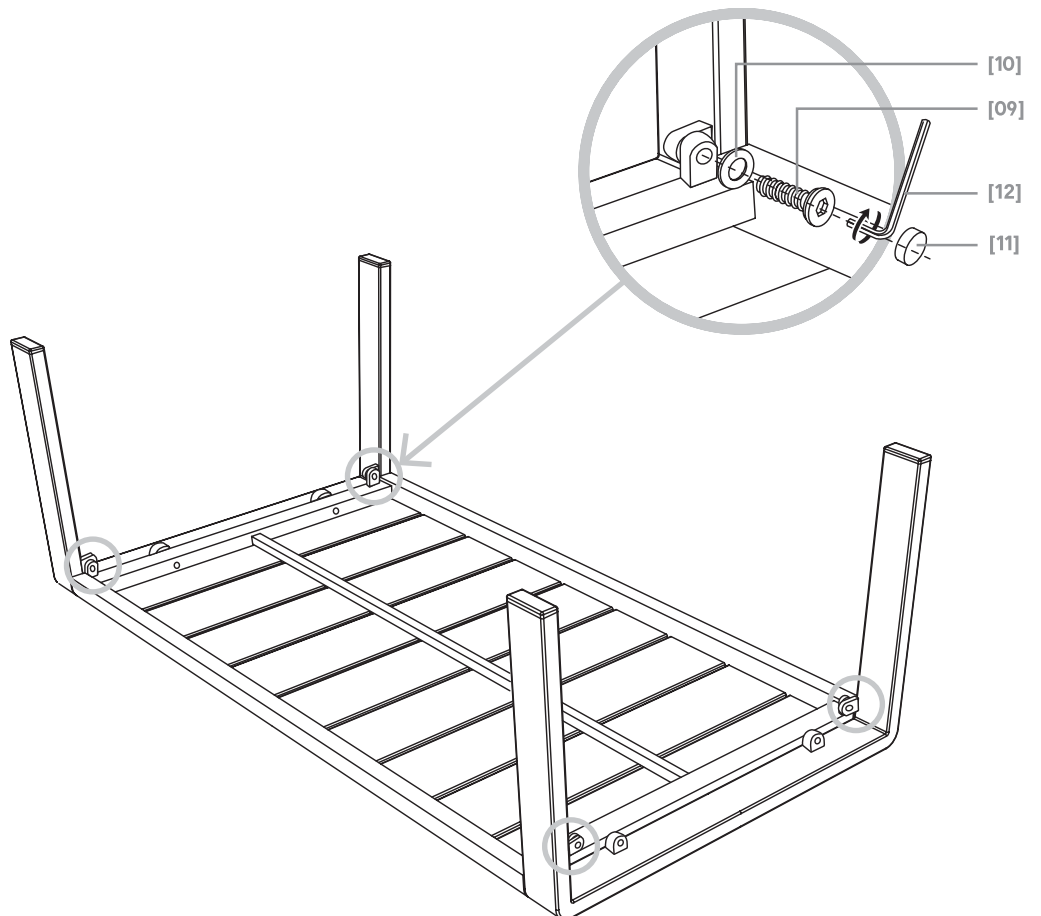
[10] x 4



[11] x 4



[12] x 1





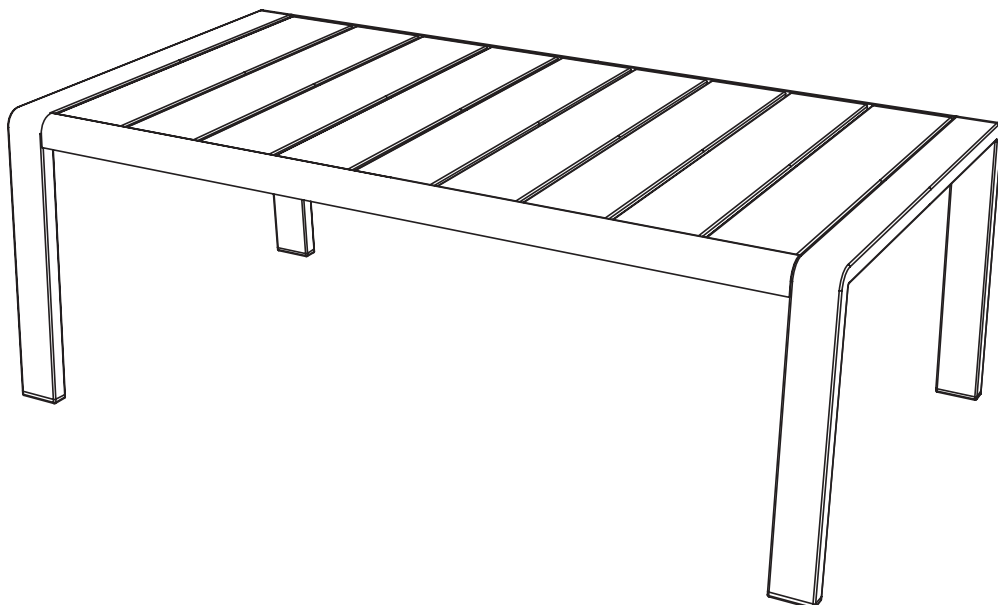


EN Installation  
RO Instalare  
TR Kurulum

FR Installation  
ES Instalación

PL Instalacja  
PT Instalação

# 09



EN Care  
RUS Уход  
PT Cuidados

FR Entretien  
RO Îngrijire  
TR Bakım

PL Czyszczenie  
ES Cuidados

