

**5059340498966**

290860\_00\_01/22

V10122



**EN** IMPORTANT - Please read carefully the separate safety guide before use.

**FR** IMPORTANT - Lire attentivement le guide de sécurité séparé avant utilisation.

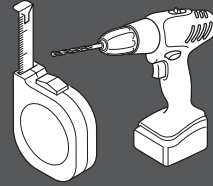
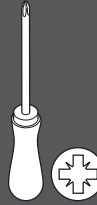
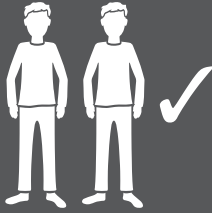
**PL** WAŻNE - Przed użyciem proszę dokładnie zapoznać się z instrukcją bezpieczeństwa.

**RO** IMPORTANT - Vă rugăm să citiți cu atenție ghidul de siguranță separat înainte de utilizare.

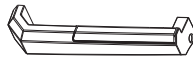
**RS** IMPORTANTE - Lea atentamente la guía de seguridad separado antes de utilizar.

**PT** IMPORTANTE - Leia atentamente o guia de segurança separado antes de usar.

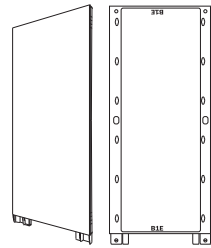
**TR** ÖNEMLİ - Kullanmadan önce emniyet kurallarını lütfen dikkatle okuyun.



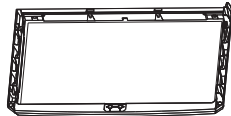
[E1E] x 1



[D10E]



[B1E] x 2



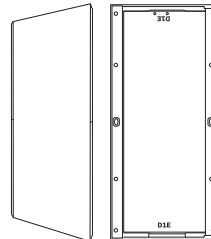
[A/C1E] x 2



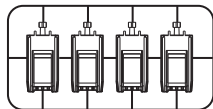
[D9E]



[D4E] x 2



[D1E] x 2



[E2E] x 1

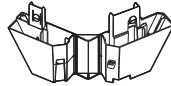


[D3E] x 2

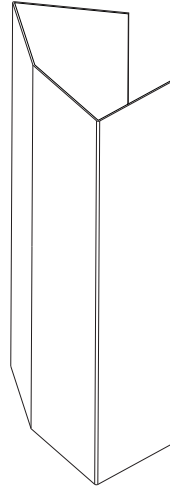




[C4E]



[A2E]



x 1



[C5E]



[A3E]



[C3E]



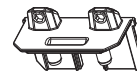
[A4E]



[C2E]



[A5E]



[A/C3E] x 2



x 2



x 2



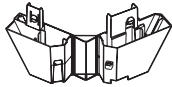
[4,2X22] x 4



[3,9X13] x 4



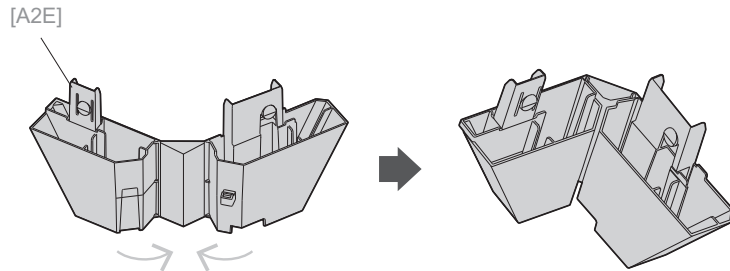
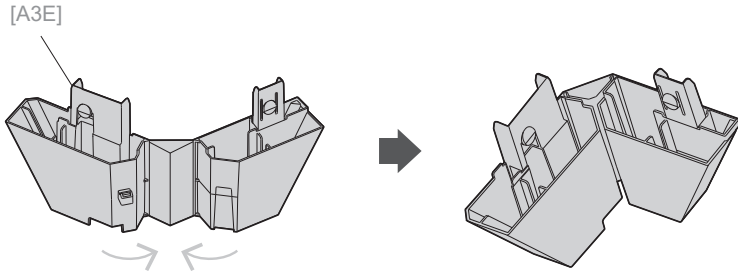
01



[A2E]



[A3E]



02



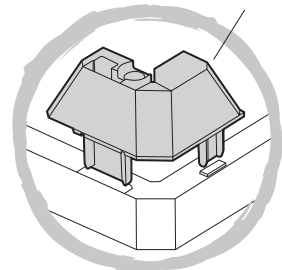
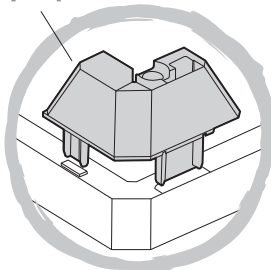
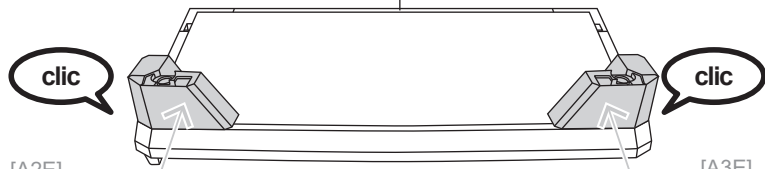
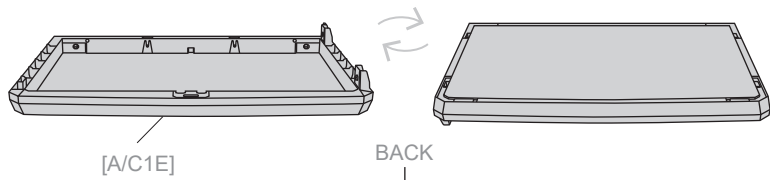
[A/C1E]



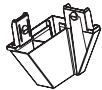
[A2E]



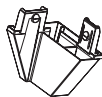
[A3E]



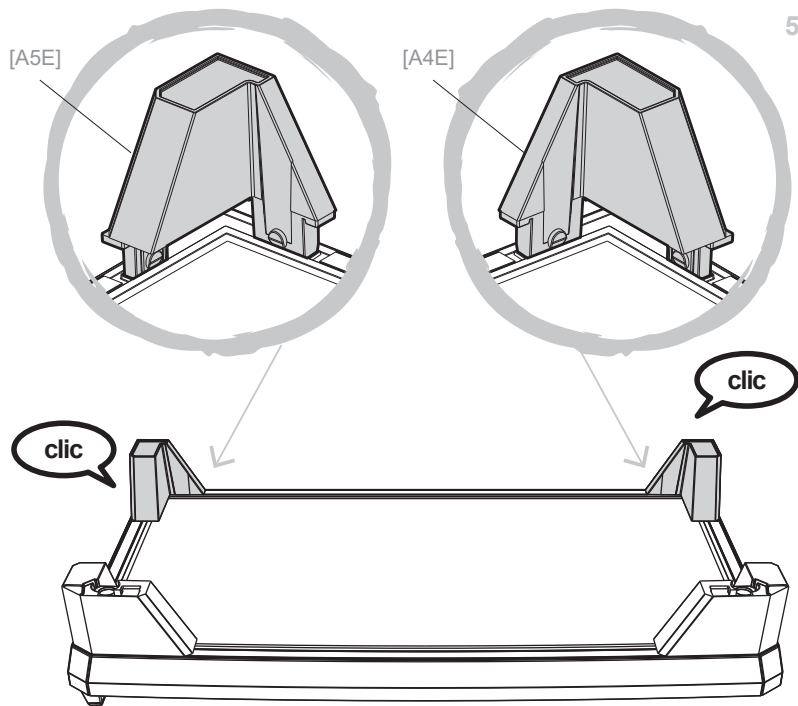
03



[A4E]



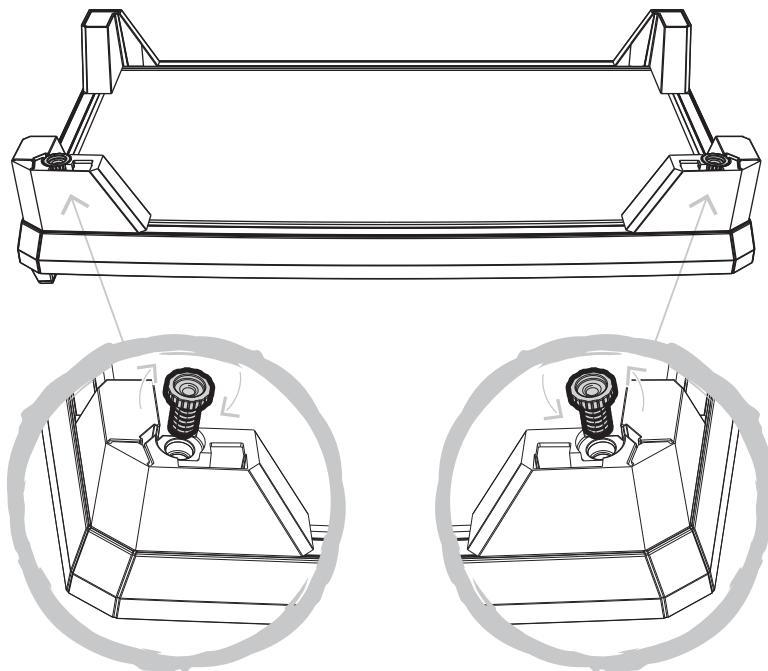
[A5E]



04

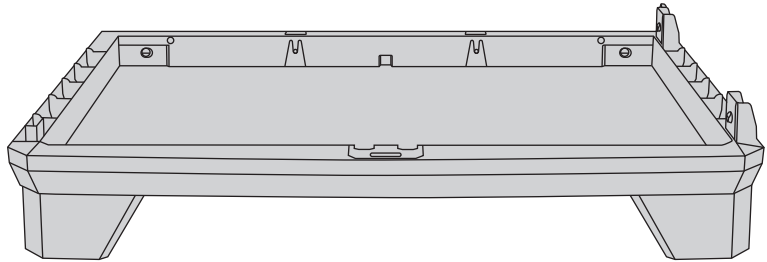
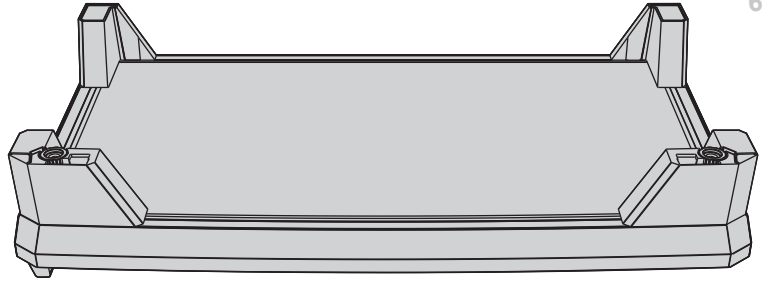


x 2

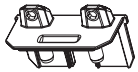


05

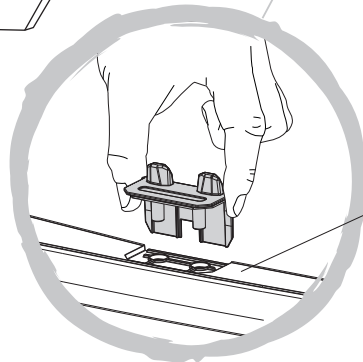
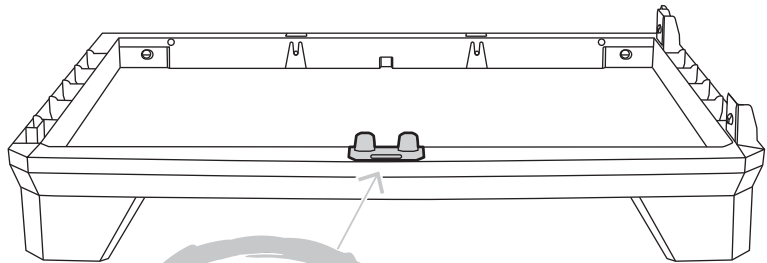
6



06



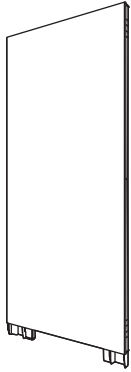
[A/C3E]



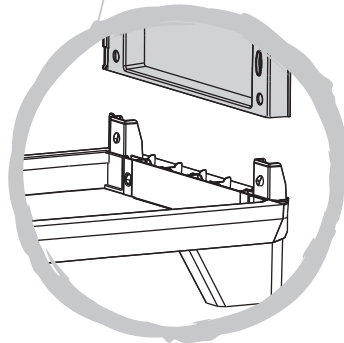
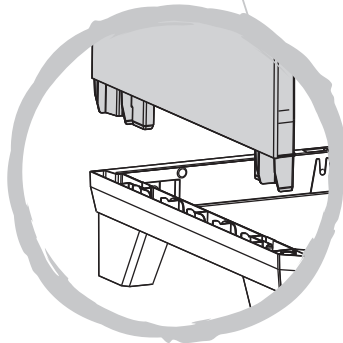
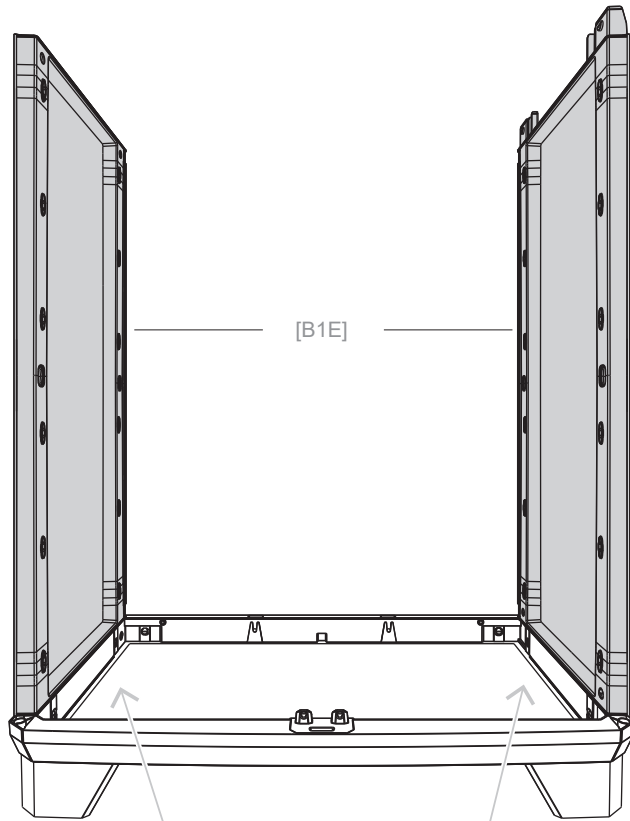
[A/C3E]

07

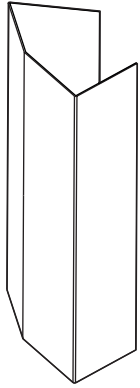
7



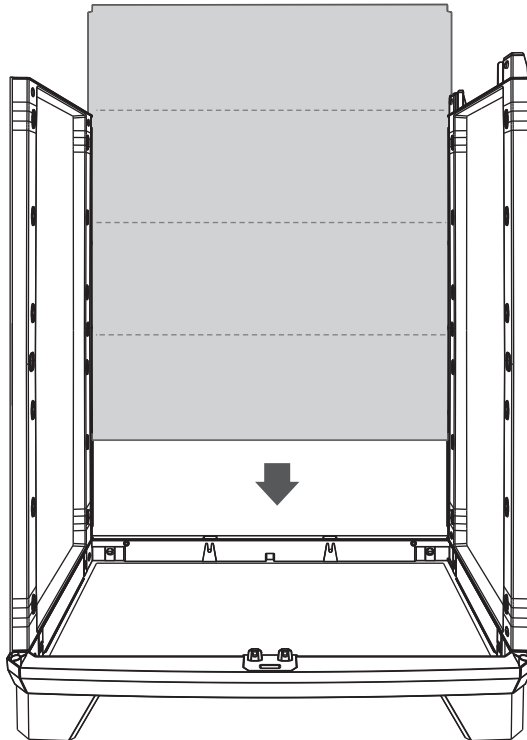
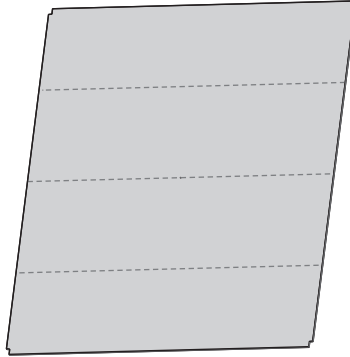
[B1E] x 2



08



x 1





# 09



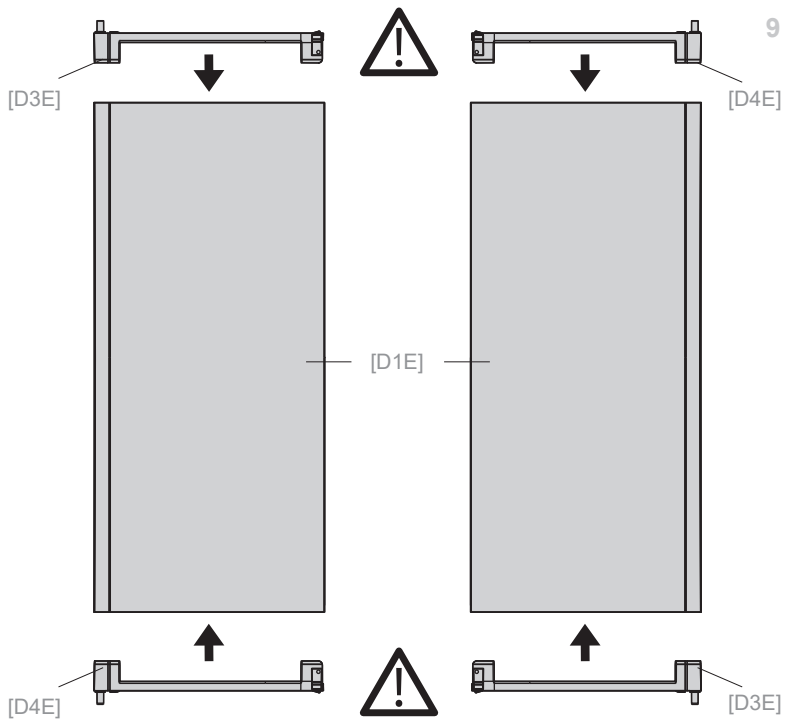
[D1E] x 2



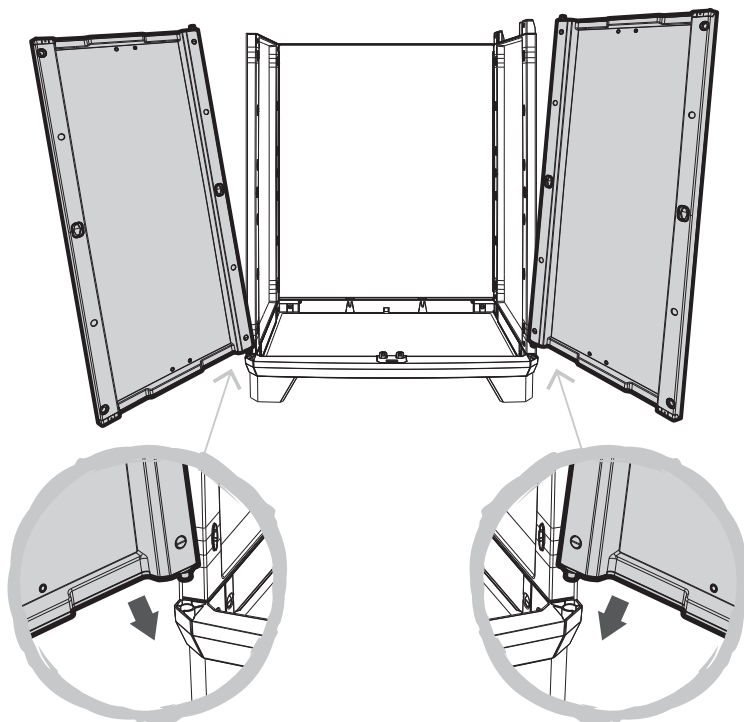
[D4E] x 2



[D3E] x 2

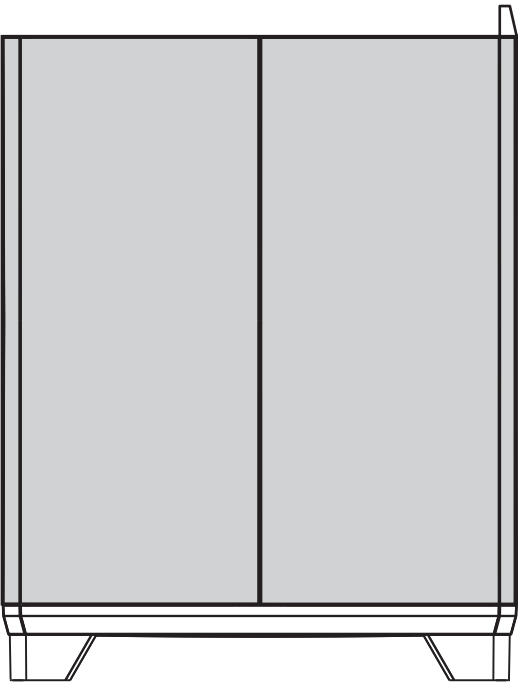
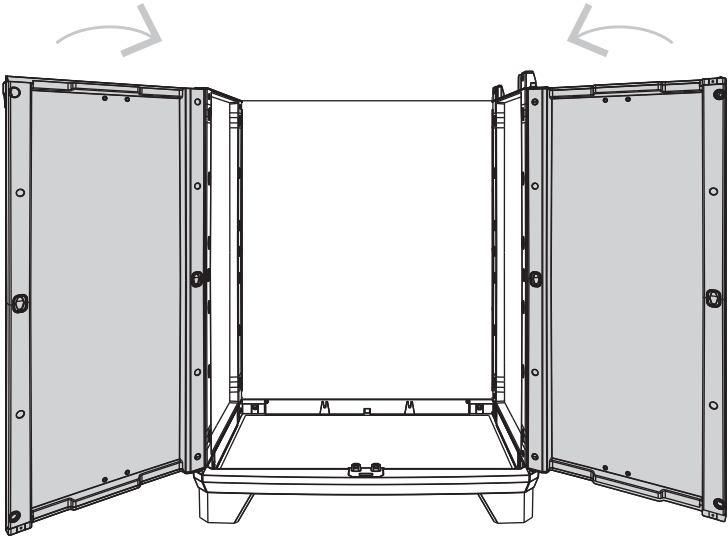


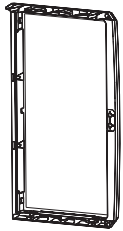
# 10



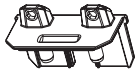
11

10

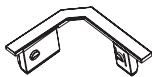




[A/C1E]



[A/C3E]



[C4E]



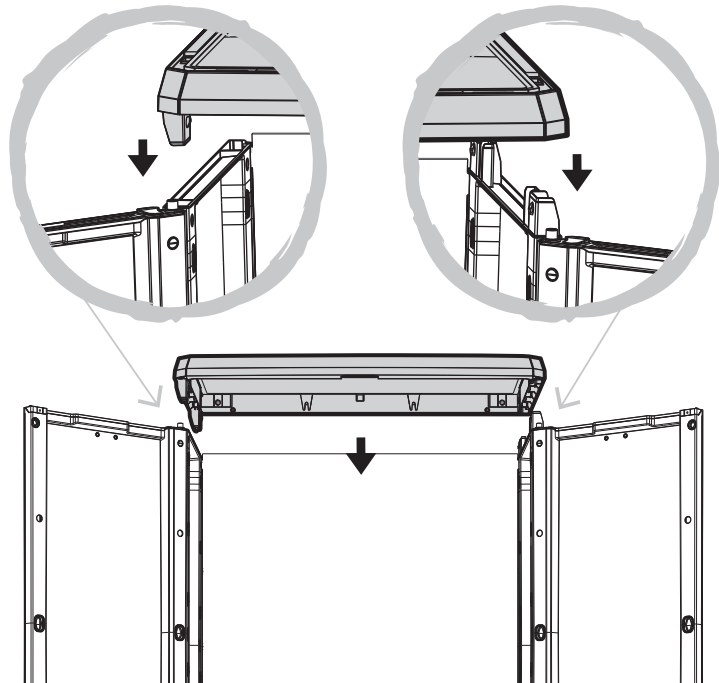
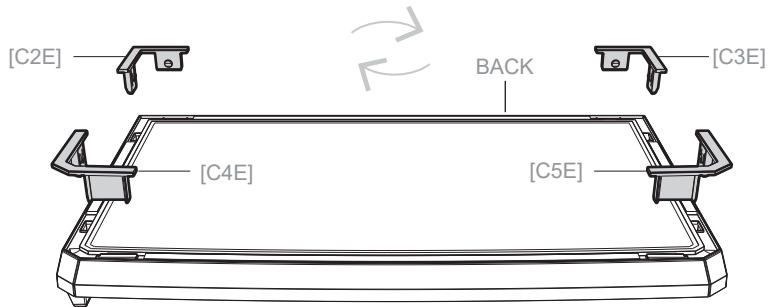
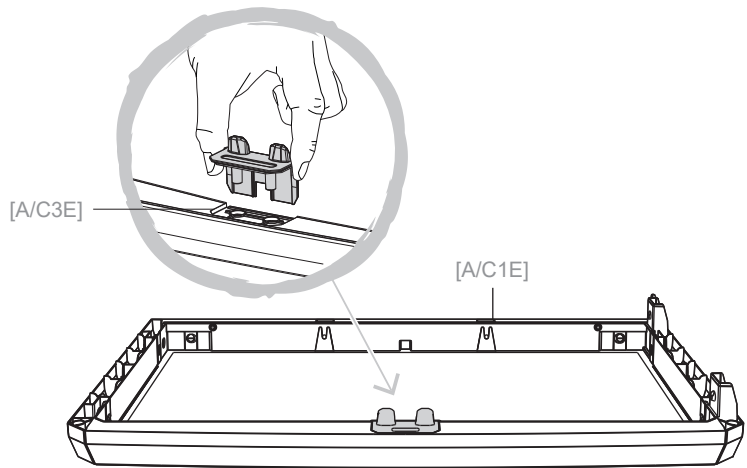
[C5E]



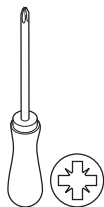
[C3E]



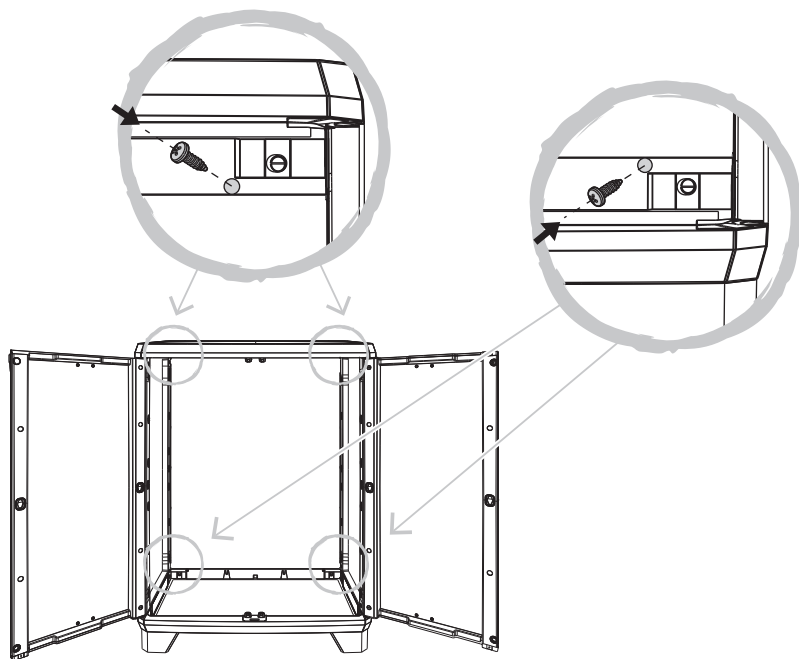
[C2E]



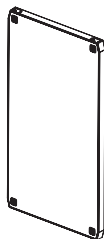
13



[3,9X13] x 4



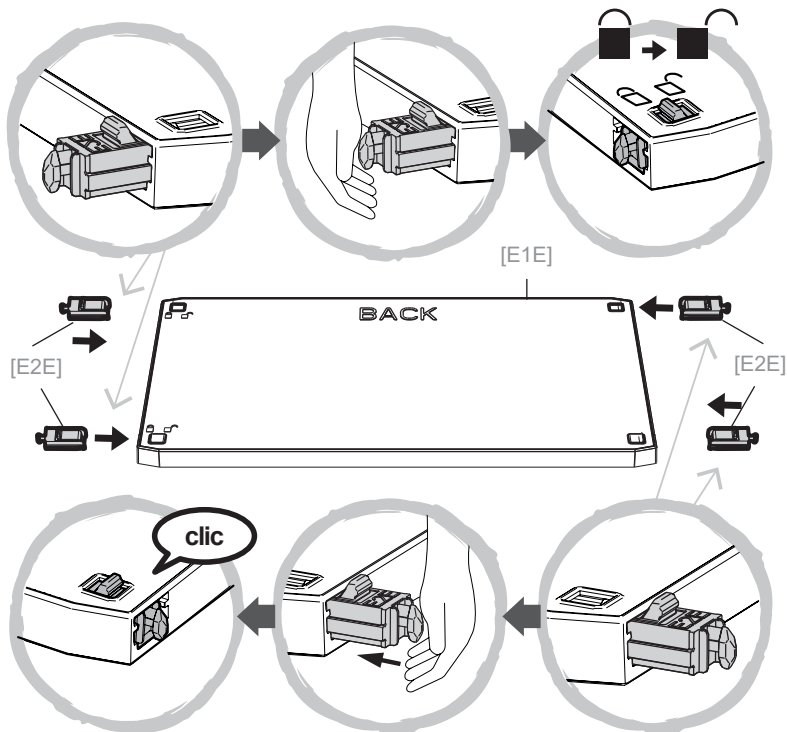
14

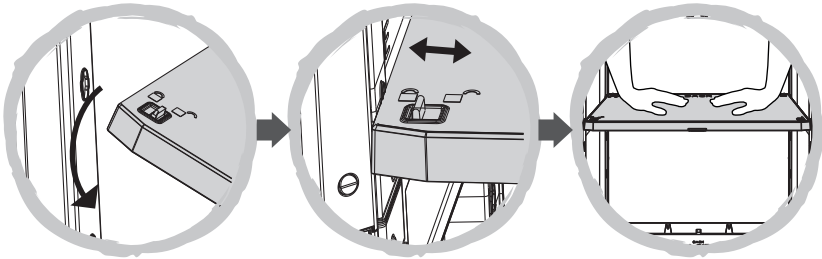
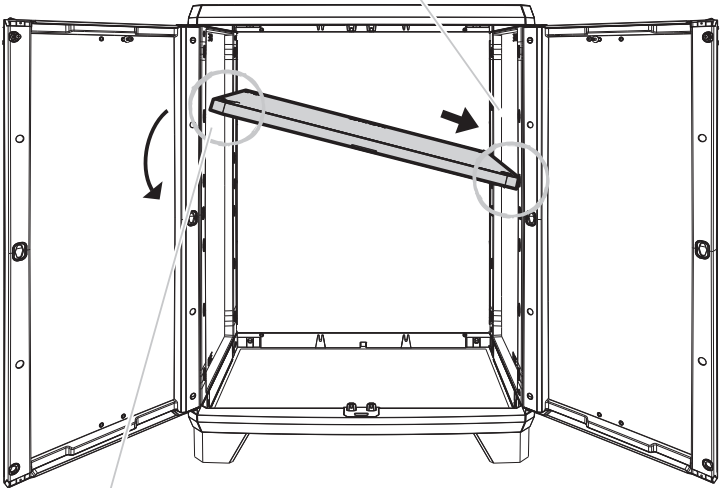
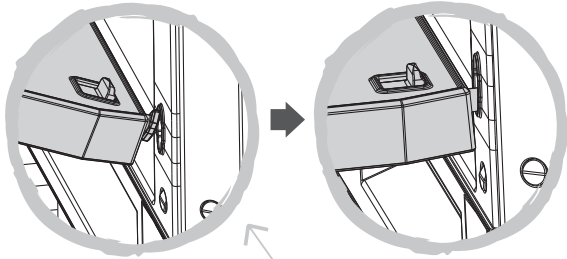


[E1E] x 1

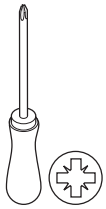


[E2E] x 4





16



[4,2X22] x 4



x 2

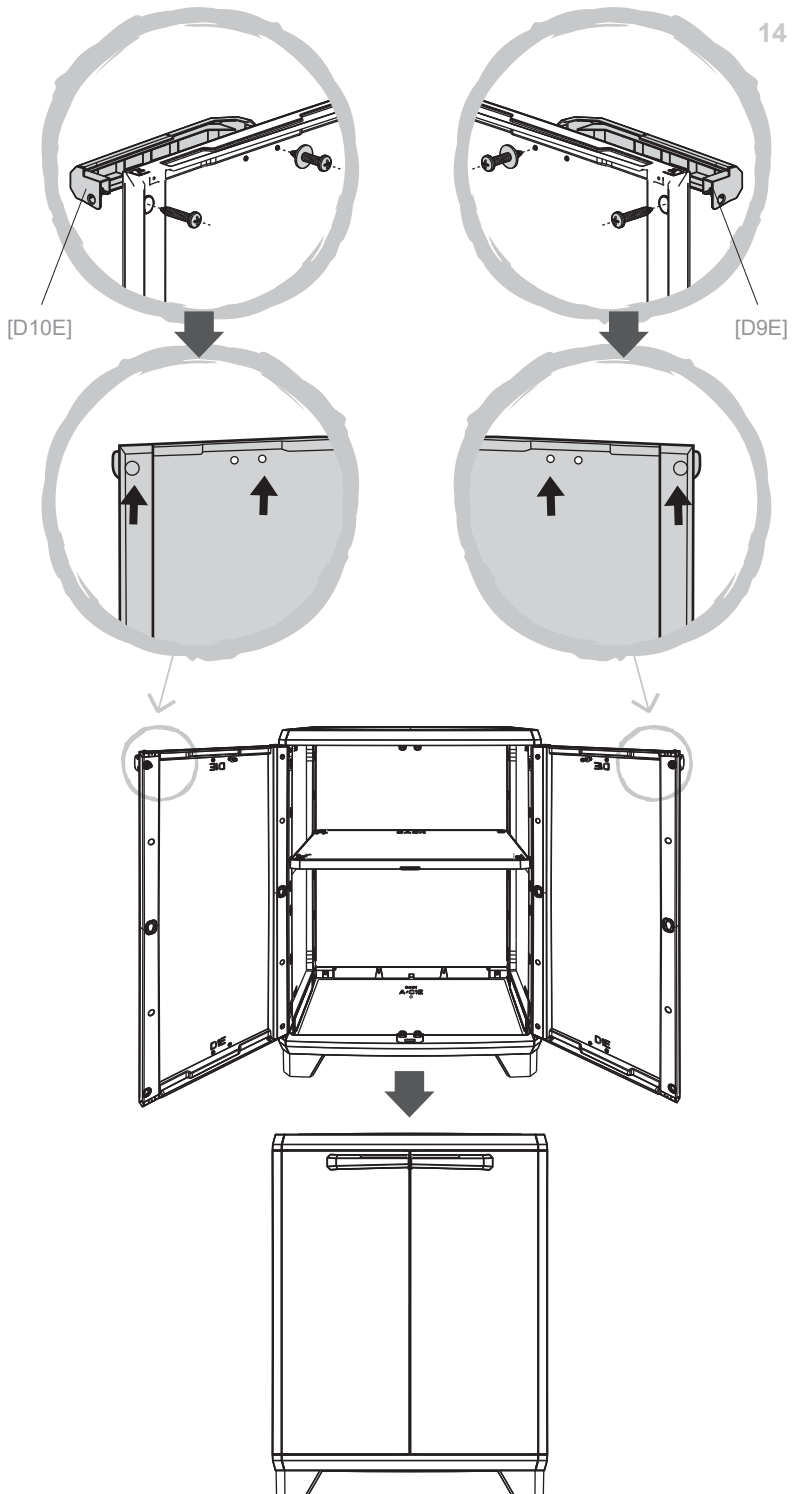


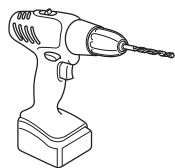
[D10E]



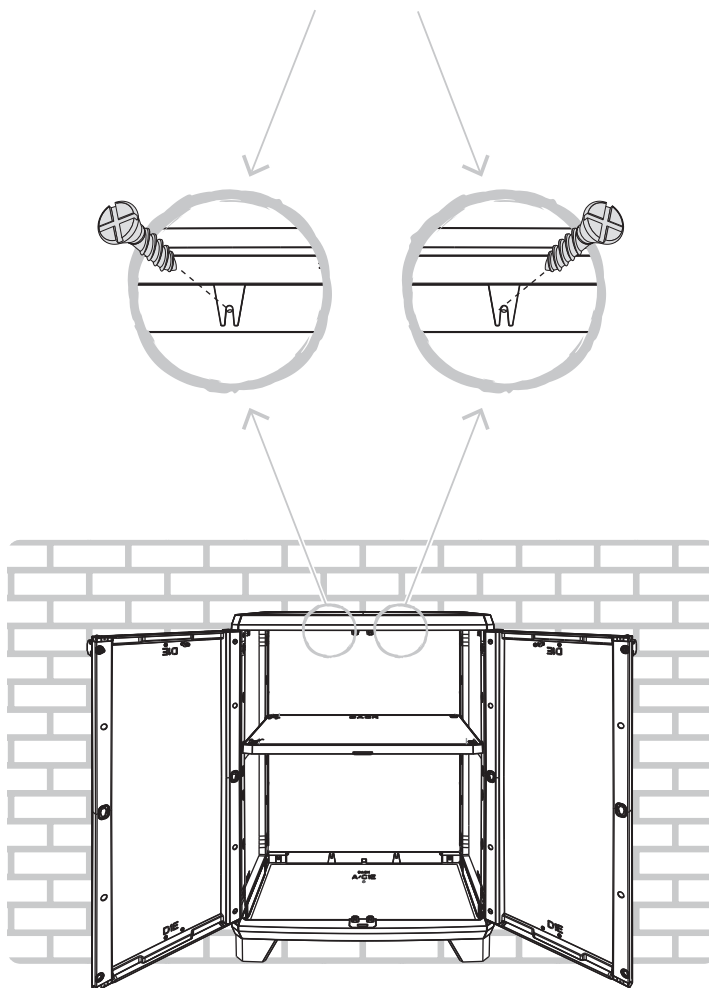
[D9E]

14





- EN Not included
- FR Non inclus
- PL Nie zawiera
- RO Nu este inclus
- ES No incluido
- PT Não incluída
- TR Dahil değildir





**Manufacturer • Fabricant • Producent •  
Producător • Fabricante:**

**UK Manufacturer:**

Kingfisher International Products Limited,  
3 Sheldon Square, London, W2 6PX,  
United Kingdom

**EU Manufacturer:**

Kingfisher International Products B.V.  
Rapenburgerstraat 175E, 1011 VM Amsterdam  
The Netherlands  
[www.kingfisher.com/products](http://www.kingfisher.com/products)

**EN** [www.diy.com](http://www.diy.com)  
[www.screwfix.com](http://www.screwfix.com)  
[www.screwfix.ie](http://www.screwfix.ie)  
**To view instruction manuals online, visit  
[www.kingfisher.com/products](http://www.kingfisher.com/products)**

**FR** [www.castorama.fr](http://www.castorama.fr)  
[www.bricodepot.fr](http://www.bricodepot.fr)  
**Pour consulter les manuels d'instructions en  
ligne, rendez-vous sur le site  
[www.kingfisher.com/products](http://www.kingfisher.com/products)**

**PL** [www.castorama.pl](http://www.castorama.pl)  
**Aby zapoznać się z instrukcją obsługi online,  
odwiedź stronę [www.kingfisher.com/products](http://www.kingfisher.com/products)**

**RO** [www.bricodepot.ro](http://www.bricodepot.ro)  
**Pentru a consulta manualele de instrucțiuni  
online, vizitați [www.kingfisher.com/products](http://www.kingfisher.com/products)**

**ES** [www.bricodepot.es](http://www.bricodepot.es)  
**Para consultar los manuales de  
instrucciones en línea, visite  
[www.kingfisher.com/products](http://www.kingfisher.com/products)**

**PT** [www.bricodepot.pt](http://www.bricodepot.pt)  
**Para consultar manuais de instruções  
online, visite [www.kingfisher.com/products](http://www.kingfisher.com/products)**

**İthalatçı Firma:**

**TR** KOÇTAŞ YAPI MARKETLERİ TİC. A.Ş.  
Taşdelen Mah. Sırrı Çelik Bulvarı No:5  
34788 Taşdelen/Çekmeköy/İSTANBUL  
Tel: +90 216 4300300 Faks: +90 216 4844313  
[www.koctas.com.tr](http://www.koctas.com.tr)

**Kullanım kılavuzuna internet üzerinden  
ulaşmak için [www.kingfisher.com/products](http://www.kingfisher.com/products)  
adresini ziyaret edin**

Yetkili servis istasyonları ve yedek parça temini  
için aşağıda yer alan Koçtaş Müşteri  
Hattı ve Koçtaş Genel Müdürlük irtibat  
bilgilerinden faydalanınız.  
KOÇTAŞ MÜŞTERİ HİZMETLERİ  
0850 209 50 50

